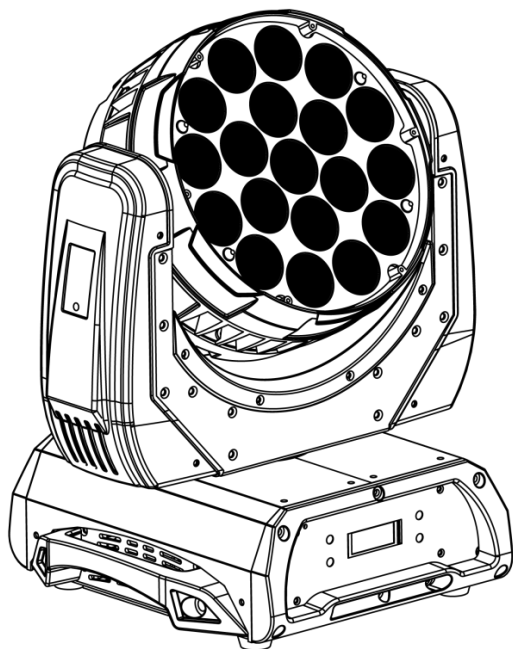


Q-WASH™ 419Z-LED

Quick Reference Guide

English EN
Español ES
Français FR



CHAUVET
PROFESSIONAL[®]
It's Green Thinking.

About this Guide The Q-Wash™ 419Z-LED Quick Reference Guide (QRG) has basic product information such as connection, mounting, menu options, and DMX values.

For more information on the product, download the user manual at www.chauvetpro.com.

Disclaimer The information and specifications contained in this QRG are subject to change without notice.

- Safety Notes**
- Do not open this product. It contains no user-serviceable parts.
 - Do not look at the light source when the product is on.
 - Caution: This product's housing may be hot when lights are operating.
 - Mount this product in a location with adequate ventilation, at least 20 in (50 cm) from adjacent surfaces.
 - Do not leave any flammable material within 50 cm of this product while operating or connected to power.
 - Use a safety cable when mounting this product overhead.
 - Do not operate this product outdoors or in any location where dust, excessive heat, water, or humidity may affect it.
 - Do not operate this product if the housing, lenses, or cables appear damaged.
 - Do not connect this product to a dimmer or rheostat.
 - Only connect this product to a grounded and protected circuit.
 - Only use the hanging/mounting bracket or the handles to carry this product. Do not carry the product by the moving head.
 - In the event of a serious operating problem, stop using immediately.
 - The maximum ambient temperature is 104 °F (40 °C). Do not operate this product at higher temperatures.

- What Is Included**
- Q-Wash™ 419Z-LED
 - Power input cord
 - 2 Omega brackets
 - Safety cable
 - Warranty card
 - Quick Reference Guide

AC Power This product has an auto-ranging power supply that can work with an input voltage range of 100 to 240 V, 50/60 Hz.

Power Linking You can link up to 5 Q-Wash™ 419Z-LED products at 120 V or 9 at 230 V. Never exceed this number. Power linking cords can be purchased separately.

AC Plug	Connection	Wire (U.S.)	Wire (Europe)	Screw Color
	AC Live	Black	Brown	Yellow/Brass
	AC Neutral	White	Blue	Silver
	AC Ground	Green/Yellow	Green/Yellow	Green

Replacing the Fuse Disconnect this product from power.

1. Using a Phillips #2 head screwdriver, unscrew the fuse holder cap from the housing.
2. Using the same type and rating, remove the blown fuse and replace it with a good fuse.
3. Screw the fuse holder cap back into place and reconnect power.

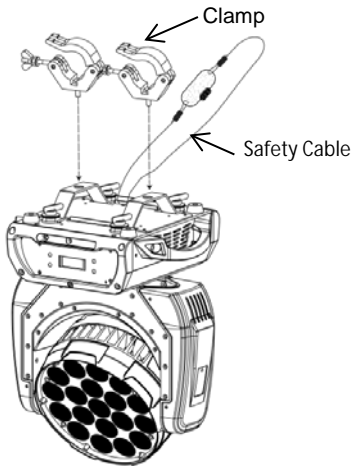
DMX Linking The Q-Wash™ 419Z-LED will work with a DMX controller using a regular DMX serial connection. For more information on how to configure for DMX operation, see *DMX Primer* from www.chauvetpro.com.

DMX Connection The Q-Wash™ 419Z-LED uses a regular DMX data connection for its DMX personalities: **PERSON1**, **PERSON2**, **PERSON3**, **PERSON4**, and **PERSON5**. See the user manual to connect and configure for DMX operation.

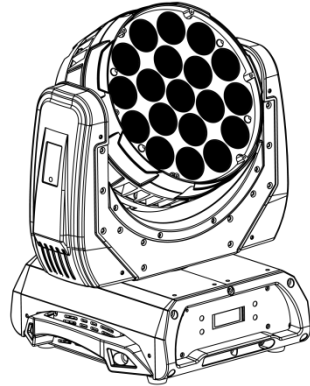
Master/Slave Connection The Q-Wash™ 419Z-LED uses the DMX data connection for its Master/Slave mode. See the user manual to connect and configure for master/slave operation.

Mounting Procedures

Overhead Mounting



Floor Mounting



Control Panel Description

Button	Function
MENU	Exits from the current menu or function
ENTER	Enables the currently displayed menu or sets the currently selected value into the selected function
UP	Navigates upwards through the menu list and increases the numeric value when in a function
DOWN	Navigates downwards through the menu list and decreases the numeric value when in a function

Password

If you are prompted to enter a password on the product, press the buttons in the following order: **UP > DOWN > UP > DOWN > ENTER**.

The product's password cannot be changed and must be entered whenever you are prompted. For more information on how to set a password for your product, see the user manual at

www.chauvetlighting.com.

Menu Options

Main Level	Programming Levels		Description	
ADDRESS	000-512		Sets the DMX starting address	
PERSON	PERSON1		10-Channel mode	
	PERSON2		21-Channel mode	
	PERSON3		8-Channel mode	
	PERSON4		21-Channel mode	
	PERSON5		34-Channel mode	
SETTINGS	PERFORM	FANS	SLOW	Selects the fan's operation mode.
			NORM	
			FAST	
			AUTO	
		PT SPEED	FAST	Defines the speed of the pan/tilt
			SLOW	
		PAN INVERT	NORM	Defines the direction of the pan fader
			INVERT	
		TILT INVERT	NORM	Defines the direction of the tilt fader
			INVERT	
		OPTICS SPEED	FAST	Defines the speed of the zoom
			SLOW	
		BLACKOUT	DELAY	Activates the move-in black delay (3 sec)
			INSTANT	
		DIMMER	DIM4	Slow (DIM4) to fast (DIM1) dimmer curves
			DIM3	
			DIM2	
			DIM1	
			OFF	Linear dimmer/no dimmer function
		CURV	CURV3	Slow (CURV3) to fast (CURV1) dimmer curves
CURV2				
CURV1				
OFF	No dimmer			

Menu Options (cont.)

Main Level	Programming Levels		Description	
SETTINGS (cont.)	PERFORM (cont.)	DIM INVERT	NORM	Defines the direction of the dimmer fader
			INVERT	
		COLOR	UC	Universal color balance
			RGBtoW	RGB set to "255" = balanced white
			OFF	RGB set to "255" = max. output
		DMX ERROR	SAVE	Continues with last command upon loss of DMX control
			BLACK	Blacks out fixture upon loss of DMX signal
		DMX RESET	DMX	The DMX controller resets the product
			DISPLAY	The control panel resets the product
		DISPLAY ON	LONG	Determines how long the backlight of the display will stay on after last command button pressed
			SHORT	
			ALWAYS	
		HOME SCREEN	DMX	Displays DMX address
	NAME		Displays what is programmed via SERVICE > CONTENT level	
	DISPLAY INVERT	NORM	Allows the display on the control panel to be inverted	
		INVERT		
	ZOOM POS.	NORMAL	Zoom lens is set to factory default	
		BOOST	Sets the zoom lens to perform better at longer distances	
	RANGE	P.START	000~255	Sets the pan start point (pan range)
		P.END		Sets the pan end point (pan range)
		T.START		Sets the tilt start point (tilt range)
		T.END		Sets the tilt end point (tilt range)
		USE	NO	Activates the changes
YES				
DISPLAY LOCK	OFF		Activates/deactivates the main level password	
	ON			
DEFAULT	**** (Enter Password)		Resets fixture to factory default settings	
SEND	NO		Sends ALL settings of the 1st product to all other Q-Wash™ 419Z-LEDs connected to the DMX output	
	YES			

Menu Options (cont.)

Main Level	Programming Levels			Description	
STAND ALONE	RUN	DMX 512		Selects DMX running mode	
		AUTO1		Selects the first automatic program	
		AUTO2		Selects the second automatic program	
		CUSTOM		Selects a user customizable program	
		TEST		Starts the product's test sequence	
		SLAVE		Selects the Slave running mode	
	EDIT	STEP	01-49		Selects the program step
		PAN	000-255		Selects the pan position
		TILT			Selects the tilt position
		RED			Combines red, green, blue, and white to obtain a custom color
		GREEN			
		BLUE			
		WHITE			
		DIMMER			Selects the dimmer value
		STROBE			Selects the strobe frequency
		ZOOM			Select the zoom position
		TIME			Selects the step duration
		USE	NO	Activates the changes	
			YES		
	SEND	NO		Sends CUSTOM settings of the 1st product to all other Q-Wash™ 419Z-LEDs connected to the DMX output	
YES					
INFO	SOFTWARE	V.X.X		Shows the version of software installed	
MANUAL	RESET	ALL RESET	NO	Resets fixture to home settings	
			YES		
		PT.RESET	NO	Resets the Pan/Tilt to home settings	
			YES		
		OPTIC RESET	NO	Resets the Zoom to home settings	
			YES		

Menu Options (cont.)

Main Level	Programming Levels			Description		
MANUAL (cont.)	MANUAL	PAN	000~255	Allows manual control of all settings from control panel		
		TILT				
		RED				
		GREEN				
		BLUE				
		WHITE				
		DIMMER				
		STROBE				
		ZOOM				
SERVICE	CALIB.M	PAN	000~255	Calibrates the start position of the motors		
		TILT				
		ZOOM				
	CALIB.C	3200K	RED	000~255	Sets color temperature for White 1	
			GREEN			
			BLUE			
			WHITE			
		3400K	RED		000~255	Sets color temperature for White 2
			GREEN			
			BLUE			
			WHITE			
		4200K	RED		000~255	Sets color temperature for White 3
			GREEN			
			BLUE			
			WHITE			
4900K	RED	000~255	Sets color temperature for White 4			
	GREEN					
	BLUE					
	WHITE					
5600K	RED		000~255	Sets color temperature for White 5		
	GREEN					
	BLUE					
	WHITE					
5900K	RED			000~255	Sets color temperature for White 6	
	GREEN					
	BLUE					
	WHITE					

Menu Options (cont.)

Main Level	Programming Levels			Description	
SERVICE (cont.)	CALIB.C (cont.)	6500K	RED	000~255	Sets color temperature for White 7
			GREEN		
			BLUE		
			WHITE		
		7200K	RED		Sets color temperature for White 8
			GREEN		
			BLUE		
			WHITE		
		8000K	RED		Sets color temperature for White 9
			GREEN		
			BLUE		
			WHITE		
		8500K	RED		Sets color temperature for White 10
			GREEN		
			BLUE		
			WHITE		
		10000K	RED		Sets color temperature for White 11
			GREEN		
			BLUE		
			WHITE		
	RGBTOW	RED	Defines the color temperature used when COLOR is set to RGBTOW		
		GREEN			
		BLUE			
	ACCESS	SETTINGS LOCK	OFF	Activates/deactivates the SETTINGS main level password	
ON					
	SERVICE LOCK	OFF	Activates/deactivates the SERVICE main level password		
		ON			
CONTENT	DISPLAY1	*****	Allows 16 characters of text to be displayed on control panel		
	DISPLAY2	*****			
	SEND	NO	Sends CONTENT settings of the 1st product to all other Q-Wash™ 419Z-LEDs connected to the DMX output		
		YES			
Service Recovery		**** (Enter Password)	Resets all custom modes to default values		

DMX Values

PERSON1	Channel	Function	Value	Percent/Setting
	1	Pan	000 ∘ 255	0~100%
	2	Tilt	000 ∘ 255	0~100%
	3	Red	000 ∘ 255	0~100%
	4	Green	000 ∘ 255	0~100%
	5	Blue	000 ∘ 255	0~100%
	6	White	000 ∘ 255	0~100%
	7	Dimmer	000 ∘ 255	0~100%
	8	Strobe	000 ∘ 009 010 ∘ 255	No Function 0~100%
	9	Zoom	000 ∘ 255	0~100%
	10	Control	000 ∘ 019	No Function
			020 ∘ 039	Pan/tilt black activation
			040 ∘ 059	Pan/tilt black deactivation
			060 ∘ 079	Automatic fan speed
			080 ∘ 099	Slow fan speed
			100 ∘ 119	Normal fan speed
			120 ∘ 139	High fan speed
			140 ∘ 149	Auto program 1 (3 s activation delay)
			150 ∘ 159	Auto program 2 (3 s activation delay)
			160 ∘ 169	Test (3 s activation delay)
			170 ∘ 179	Custom program (3 s activation delay)
			180 ∘ 199	No Function
			200 ∘ 219	Reset (3 s activation delay)
			220 ∘ 235	No Function
			236 ∘ 239	DIM0 (3 s activation delay)
			240 ∘ 243	DIM1 (3 s activation delay)
	244 ∘ 247	DIM2 (3 s activation delay)		
	248 ∘ 251	DIM3 (3 s activation delay)		
	252 ∘ 255	DIM4 (3 s activation delay)		

DMX Values (cont.)

PERSON2

Channel	Function	Value	Percent/Setting
1	Pan	000 ∘ 255	0~100%
2	Pan Fine	000 ∘ 255	0~100%
3	Tilt	000 ∘ 255	0~100%
4	Tilt Fine	000 ∘ 255	0~100%
5	Pan/Tilt Speed	000 ∘ 255	0~100%
6	Red	000 ∘ 255	0~100%
7	Red Fine	000 ∘ 255	0~100%
8	Green	000 ∘ 255	0~100%
9	Green Fine	000 ∘ 255	0~100%
10	Blue	000 ∘ 255	0~100%
11	Blue Fine	000 ∘ 255	0~100%
12	White	000 ∘ 255	0~100%
13	White Fine	000 ∘ 255	0~100%
14	Color/White Macro	000 ∘ 010 No Function 011 ∘ 030 R: 100% G: 0~100%B: 0 031 ∘ 050 R: 100%~0G: 100% B: 0 051 ∘ 070 R: 0 G: 100% B: 0~100% 071 ∘ 090 R: 0 G: 100%~0B: 100% 091 ∘ 110 R: 0~100%G: 0 B: 100% 111 ∘ 130 R: 100% G: 0 B: 100%~0 131 ∘ 150 R: 100% G: 0~100%B: 0~100% 151 ∘ 170 R: 100%~0G: 100%~0B: 100% 171 ∘ 200 R: 100% G: 100% B: 100% W:100% 201 ∘ 205 White 1 206 ∘ 210 White 2 211 ∘ 215 White 3 216 ∘ 220 White 4 221 ∘ 225 White 5 226 ∘ 230 White 6 231 ∘ 235 White 7 236 ∘ 240 White 8 241 ∘ 245 White 9 246 ∘ 250 White 10 251 ∘ 255 White 11	

DMX Values (cont.)

PERSON2 (cont.)	Channel	Function	Value	Percent/Setting
15	Auto Rings		000 ∘ 009	No Function
			010 ∘ 019	Static Ring 1
			020 ∘ 029	Static Ring 2
			030 ∘ 039	Static Ring 3
			040 ∘ 049	Ring Effect 1
			050 ∘ 059	Ring Effect 2
			060 ∘ 069	Ring Effect 3
			070 ∘ 079	Ring Effect 4
			080 ∘ 089	Ring Effect 5
			090 ∘ 099	Ring Effect 6
			100 ∘ 109	Ring Effect 7
			110 ∘ 119	Ring Effect 8
			120 ∘ 129	Ring Effect 9
			130 ∘ 139	Ring Effect 10
			140 ∘ 149	Ring Effect 11
			150 ∘ 159	Ring Effect 12
			160 ∘ 169	Ring Effect 13
			170 ∘ 179	Ring Effect 14
			180 ∘ 189	Static Ring 4
			190 ∘ 199	Static Ring 5
			200 ∘ 209	Static Ring 6
	210 ∘ 219	Static Ring 7		
	220 ∘ 229	Static Ring 8		
	230 ∘ 239	Static Ring 9		
	240 ∘ 249	Static Ring 10		
	250 ∘ 255	RGBW: 100%		
16	Auto Speed		000 ∘ 255	0~100%
17	Dimmer		000 ∘ 255	0~100%
18	Dimmer Fine		000 ∘ 255	0~100%
19	Strobe		000 ∘ 009	No Function
			010 ∘ 255	00~20 Hz
20	Zoom		000 ∘ 255	0~100%
21	Control		000 ∘ 019	No Function
			020 ∘ 039	Pan/tilt black activation
			040 ∘ 059	Pan/tilt black deactivation
			060 ∘ 079	Automatic fan speed
			080 ∘ 099	Slow fan speed
			100 ∘ 119	Normal fan speed
			120 ∘ 139	High fan speed
			140 ∘ 149	Auto program 1 (3 s activation delay)
			150 ∘ 159	Auto program 2 (3 s activation delay)
			160 ∘ 169	Test (3 s activation delay)
			170 ∘ 179	Custom program (3 s activation delay)
			180 ∘ 199	No Function
			200 ∘ 219	Reset (3 s activation delay)
			220 ∘ 235	No Function
			236 ∘ 239	DIM0 (3 s activation delay)
			240 ∘ 243	DIM1 (3 s activation delay)
			244 ∘ 247	DIM2 (3 s activation delay)
	248 ∘ 251	DIM3 (3 s activation delay)		
	252 ∘ 255	DIM4 (3 s activation delay)		

DMX Values (cont.)

PERSON3

Channel	Function	Value	Percent/Setting
1	Pan	000 ó 255	0~100%
2	Tilt	000 ó 255	0~100%
3	Hue	000 ó 255	0~100%
4	Saturation	000 ó 255	0~100%
5	Value	000 ó 255	0~100%
6	Strobe	000 ó 009 010 ó 255	No Function 00~20 Hz
7	Zoom	000 ó 255	0~100%
8	Control	000 ó 019 020 ó 039 040 ó 059 060 ó 079 080 ó 099 100 ó 119 120 ó 139 140 ó 149 150 ó 159 160 ó 169 170 ó 179 180 ó 199 200 ó 219 220 ó 235 236 ó 239 240 ó 243 244 ó 247 248 ó 251 252 ó 255	No Function Pan/tilt black activation Pan/tilt black deactivation Automatic fan speed Slow fan speed Normal fan speed High fan speed Auto program 1 (3 s activation delay) Auto program 2 (3 s activation delay) Test (3 s activation delay) Custom program (3 s activation delay) No Function Reset (3 s activation delay) No Function DIM0 (3 s activation delay) DIM1 (3 s activation delay) DIM2 (3 s activation delay) DIM3 (3 s activation delay) DIM4 (3 s activation delay)

DMX Values (cont.)

PERSON4	Channel	Function	Value	Percent/Setting
	1	Pan	000 ∘ 255	0~100%
	2	Pan Fine	000 ∘ 255	0~100%
	3	Tilt	000 ∘ 255	0~100%
	4	Tilt Fine	000 ∘ 255	0~100%
	5	Pan/Tilt Speed	000 ∘ 255	0~100%
	6	Dimmer	000 ∘ 255	0~100%
	7	Strobe	000 ∘ 009 010 ∘ 255	No Function 00~20 Hz
	8	Zoom	000 ∘ 255	0~100%
	9	Control	000 ∘ 019 020 ∘ 039 040 ∘ 059 060 ∘ 079 080 ∘ 099 100 ∘ 119 120 ∘ 139 140 ∘ 149 150 ∘ 159 160 ∘ 169 170 ∘ 179 180 ∘ 199 200 ∘ 219 220 ∘ 235 236 ∘ 239 240 ∘ 243 244 ∘ 247 248 ∘ 251 252 ∘ 255	No Function Pan/tilt black activation Pan/tilt black deactivation Automatic fan speed Slow fan speed Normal fan speed High fan speed Auto program 1 (3 s activation delay) Auto program 2 (3 s activation delay) Test (3 s activation delay) Custom program (3 s activation delay) No Function Reset (3 s activation delay) No Function DIM0 (3 s activation delay) DIM1 (3 s activation delay) DIM2 (3 s activation delay) DIM3 (3 s activation delay) DIM4 (3 s activation delay)
	10	Red 1	000 ∘ 255	0~100%
	11	Green 1	000 ∘ 255	0~100%
	12	Blue 1	000 ∘ 255	0~100%
	13	White 1	000 ∘ 255	0~100%
	14	Red 2	000 ∘ 255	0~100%
	15	Green 2	000 ∘ 255	0~100%
	16	Blue 2	000 ∘ 255	0~100%
	17	White 2	000 ∘ 255	0~100%
	18	Red 3	000 ∘ 255	0~100%
	19	Green 3	000 ∘ 255	0~100%
	20	Blue 3	000 ∘ 255	0~100%
	21	White 3	000 ∘ 255	0~100%

DMX Values (cont.)

PERSON5

Channel	Function	Value	Percent/Setting
1	Pan	000 ∘ 255	0~100%
2	Pan Fine	000 ∘ 255	0~100%
3	Tilt	000 ∘ 255	0~100%
4	Tilt Fine	000 ∘ 255	0~100%
5	Pan/Tilt Speed	000 ∘ 255	0~100%
6	Dimmer	000 ∘ 255	0~100%
7	Dimmer Fine	000 ∘ 255	0~100%
8	Strobe	000 ∘ 009 010 ∘ 255	No Function 00~20 Hz
9	Zoom	000 ∘ 255	0~100%
10	Control	000 ∘ 019 020 ∘ 039 040 ∘ 059 060 ∘ 079 080 ∘ 099 100 ∘ 119 120 ∘ 139 140 ∘ 149 150 ∘ 159 160 ∘ 169 170 ∘ 179 180 ∘ 199 200 ∘ 219 220 ∘ 235 236 ∘ 239 240 ∘ 243 244 ∘ 247 248 ∘ 251 252 ∘ 255	No Function Pan/tilt black activation Pan/tilt black deactivation Automatic fan speed Slow fan speed Normal fan speed High fan speed Auto program 1 (3 s activation delay) Auto program 2 (3 s activation delay) Test (3 s activation delay) Custom program (3 s activation delay) No Function Reset (3 s activation delay) No Function DIM0 (3 s activation delay) DIM1 (3 s activation delay) DIM2 (3 s activation delay) DIM3 (3 s activation delay) DIM4 (3 s activation delay)
11	Red 1	000 ∘ 255	0~100%
12	Red 1 Fine	000 ∘ 255	0~100%
13	Green 1	000 ∘ 255	0~100%
14	Green 1 Fine	000 ∘ 255	0~100%
15	Blue 1	000 ∘ 255	0~100%
16	Blue 1 Fine	000 ∘ 255	0~100%
17	White 1	000 ∘ 255	0~100%
18	White 1 Fine	000 ∘ 255	0~100%

DMX Values (cont.)**PERSON5
(cont.)**

Channel	Function	Value	Percent/Setting
19	Red 2	000 ◊ 255	0~100%
20	Red 2 Fine	000 ◊ 255	0~100%
21	Green 2	000 ◊ 255	0~100%
22	Green 2 Fine	000 ◊ 255	0~100%
23	Blue 2	000 ◊ 255	0~100%
24	Blue 2 Fine	000 ◊ 255	0~100%
25	White 2	000 ◊ 255	0~100%
26	White 2 Fine	000 ◊ 255	0~100%
27	Red 3	000 ◊ 255	0~100%
28	Red 3 Fine	000 ◊ 255	0~100%
29	Green 3	000 ◊ 255	0~100%
30	Green 3 Fine	000 ◊ 255	0~100%
31	Blue 3	000 ◊ 255	0~100%
32	Blue 3 Fine	000 ◊ 255	0~100%
33	White 3	000 ◊ 255	0~100%
34	White 3 Fine	000 ◊ 255	0~100%

Acerca de Esta Guía La Guía de Referencia Rápida (GRR) del Q-Wash™ 419Z-LED contiene información básica sobre el producto, como conexión, montaje, opciones de menú y valores DMX. Descargue el manual de usuario de www.chauvetpro.com para una información más detallada.

Exención de Responsabilidad

La información y especificaciones contenidas en esta GRR están sujetas a cambio sin previo aviso.

Notas de Seguridad

- NO abra este producto. No contiene piezas reparables por el usuario.
- NO mire a la fuente de luz cuando el producto esté encendido.
- ¡CUIDADO! La carcasa de este producto está caliente cuando las luces están en funcionamiento.
- Monte este producto en una ubicación con ventilación adecuada, al menos a 20" (50 cm) de superficies adyacentes.
- NO deje ningún material inflamable a menos de 50 cm de este producto mientras esté funcionando o conectado a la alimentación.
- USE un cable de seguridad cuando monte este producto en lo alto.
- NO ponga en funcionamiento este producto en el exterior o en cualquier ubicación en la que el polvo, calor excesivo, agua o humedad puedan afectarlo.
- NO ponga en funcionamiento este producto si sospecha que la carcasa, lentes o cables están dañados.
- NO conecte este producto a un atenuador o reostato.
- Conecte este producto SOLO a un circuito con toma de tierra y protegido.
- Use SOLAMENTE los soportes o las asas para mover este producto. NO lo transporte sujetando por la cabeza móvil o el yugo.
- En caso de un problema grave de funcionamiento, deje de usarlo inmediatamente.
- La máxima temperatura ambiente es de 104° F (40° C). No haga funcionar este producto a temperaturas más altas.

Contacto

Fuera de EE.UU, Reino Unido o Irlanda, póngase en contacto con su proveedor para solicitar asistencia o devolver el producto. Visite www.chauvetpro.com para información de contacto.

¿Qué va Incluido?

- | | |
|-------------------------|-----------------------------|
| • Q-Wash™ 419Z-LED | • Cable de Seguridad |
| • Cable de Alimentación | • Tarjeta de Garantía |
| • 2 Soportes Omega | • Guía de Referencia Rápida |

Corriente Alterna Este producto tiene una fuente de alimentación con detección automática que puede funcionar con un rango de tensión de entrada de 100~240 VCA, 50/60 Hz.

Alimentación en Cadena Puede enlazar hasta 5 productos Q-Wash™ 419Z-LED a 120 VCA, u 9 a 230 VCA. Los cables de alimentación en cadena se pueden adquirir por separado.

Enchufe CA	Conexión	Cable (EE.UU)	Cable (Europa)	Color del Tornillo
	CA Cargado	Negro	Marrón	Amarillo/Bronce
	CA Neutro	Blanco	Azul	Plata
	CA Tierra	Verde/Amarillo	Verde/Amarillo	Verde

Sustitución del Fusible

1. Desconecte el producto de la toma de corriente.
2. Con un destornillador de estrella N°2 desatornille la tapa del portafusibles.
3. Quite el fusible fundido del portafusibles y sustitúyalo con otro del mismo tipo y categoría.
4. Vuelva a atornillar la tapa del portafusibles en su sitio y conecte de nuevo la alimentación.

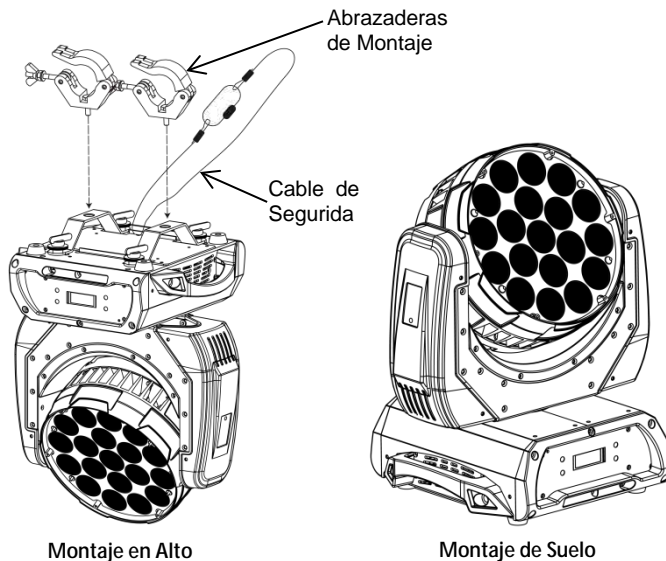
Enlace DMX El Q-Wash™ 419Z-LED funcionará con un controlador DMX usando una conexión serie DMX normal. Hay un Manual DMX disponible en www.chauvetpro.com.

Conexión DMX El Q-Wash™ 419Z-LED usa una conexión de datos DMX normal para sus personalidades DMX: **PERSON1**, **PERSON2**, **PERSON3**, **PERSON4** y **PERSON5**. Vea el Manual de usuario para conectar y configurar para funcionamiento DMX.

Conexión Maestro/Esclavo El Q-Wash™ 419Z-LED usa la conexión de datos DMX para su modo Maestro/Esclavo. Vea el Manual de usuario para conectar y configurar para funcionamiento Maestro/Esclavo.

Montaje

Diagrama de Montaje del Producto



Descripción del Panel de Control

Botón	Función
MENU	Sale del menú o función actual
ENTER	Habilita el menú actualmente en pantalla o configura el valor seleccionado actualmente dentro de la función seleccionada
UP	Navega hacia arriba por la lista de menú y aumenta el valor numérico cuando está en una función
DOWN	Navega hacia abajo por la lista de menú y disminuye el valor numérico cuando está en una función

Contraseña Después de que se le solicite, introduzca la siguiente contraseña pulsando:
<UP>, **<DOWN>**, **<UP>**, **<DOWN>**, **<ENTER>**
 Esta contraseña no se puede cambiar y se debe usar cuando se le solicite.

Opciones de Menú

Nivel Principal	Niveles de Programación		Descripción	
ADDRESS	000-512		Configura la dirección inicial DMX	
PERSON	PERSON1		Modo de 10 Canales	
	PERSON2		Modo de 21 Canales	
	PERSON3		Modo de 8 Canales	
	PERSON4		Modo de 21 Canales	
	PERSON5		Modo de 34 Canales	
SETTINGS	PERFORM	FANS	SLOW	Selecciona el modo de funcionamiento de ventilador
			NORM	
			FAST	
			AUTO	
		PT SPEED	FAST	Define la velocidad de desplazamiento lateral/inclinación
			SLOW	
		PAN INVERT	NORM	Define la dirección del deslizador de desplazamiento lateral
			INVERT	
		TILT INVERT	NORM	Define la dirección del deslizador de inclinación
			INVERT	
		OPTICS SPEED	FAST	Define la velocidad del zoom
			SLOW	
		BLACKOUT	DELAY	Activa el retardo del move-in black (3 segundos)
			INSTANT	
		DIMMER	DIM4	Curvas de atenuador de lento (DIM4) a rápido (DIM1)
			DIM3	
			DIM2	
			DIM1	
			OFF	Función Atenuador lineal/sin atenuador
		CURV	CURV3	Curvas de atenuador Lento (CV3) a Rápido (CV1)
			CURV2	
			CURV1	
			OFF	Sin atenuador
		DIM INVERT	NORM	Define la dirección del fader del atenuador
			INVERT	
		COLOR	UC	Equilibrio de color universal
			RGBW	RGB establecido en "255" = equilibrio de blancos
OFF	RGB establecido en "255" = máx. potencia			

Opciones de Menú (cont.)

Nivel Principal	Niveles de Programación		Descripción	
SETTINGS (cont.)	PERFORM (cont.)	DMX ERROR	SAVE	Continúa con el último comando tras la pérdida de control DMX
			BLACK	Apaga (blackout) el dispositivo tras la pérdida de señal DMX
		DMX RESET	DMX	El controlador DMX puede reiniciar el producto
			DISPLAY	El panel de control puede reiniciar el producto
		DISPLAY ON	LONG	Determina cuánto tiempo permanecerá encendida la luz de la pantalla después de haber pulsado el último botón de comando.
			SHORT	
			ALWAYS	
		HOME SCREEN	DMX	Muestra la dirección DMX
			NAME	Muestra por pantalla lo que está programado a través del nivel principal de SERVICE > CONTENT
		DISPLAY INVERT	NORM	Permite que la pantalla del panel de control se invierta
			INVERT	
		ZOOM POS.	NORMAL	Objetivo zoom se ajusta a los valores de fábrica
	BOOST		Establece el zoom para un mejor desempeño en las distancias más largas	
	RANGE	P.START	000~255	Establece el punto de partida del desplazamiento lateral (rango lateral)
		P.END		Establece el punto final del desplazamiento lateral (rango lateral)
		T.START		Establece el punto de inicio de la inclinación (rango inclinación)
		T.END		Establece el punto final de la inclinación (rango inclinación)
		USE	NO YES	Activa los cambios
	DISPLAY LOCK	**** (Introducir código de acceso)	Activa/desactiva el código de acceso del nivel principal	
	DEFAULT	NO	Reinicia el dispositivo a la configuración por defecto	
		YES		
	SEND	NO	Envía TODA la configuración del primer producto a todos los otros Q-Wash™ 419Z-LEDs conectados a la salida DMX	
		YES		

Opciones de Menú (cont.)

Nivel Principal	Niveles de Programación		Descripción	
STAND ALONE	RUN	DMX 512	Selecciona el modo de ejecución DMX	
		AUTO1	Selecciona el primer programa automático	
		AUTO2	Selecciona el segundo programa automático	
		CUSTOM	Selecciona un programa personalizable por el usuario	
		TEST	Inicia la secuencia de prueba del dispositivo	
		SLAVE	Selecciona el modo de ejecución Esclavo	
	EDIT	STEP	01-49	Selecciona el paso del programa
		PAN	000-255	Selecciona la posición de desplazamiento lateral
		TILT		Selecciona la posición de inclinación
		RED		Combina rojo, verde, azul y blanco para generar un color personalizado
		GREEN		
		BLUE		
		WHITE		
		DIMMER		Selecciona el valor del atenuador
		STROBE		Selecciona la frecuencia de estroboscopio
		ZOOM		Selecciona la posición del zoom
		TIME		Selecciona la duración del paso
		USE	NO	Activa los cambios
		YES		
	SEND	NO		Envía configuración PERSONALIZADA (CUSTOM) del primer producto a todos los otros Q-Wash™ 419Z-LEDs conectados a la salida DMX
YES				
INFO	SOFTWARE	V.X.X	Muestra la versión del software instalado	
MANUAL	RESET	ALL RESET	NO	Reinicia el dispositivo a la configuración inicial
			YES	
		PT.RESET	NO	Reinicia el Desplazamiento lateral/Inclinación a la configuración inicial
			YES	
		OPTIC RESET	NO	Reinicia el Zoom a la configuración inicial
			YES	

Opciones de Menú (cont.)

Nivel Principal	Niveles de Programación			Descripción	
MANUAL (cont.)	MANUAL	PAN	000~255	Permite control manual de toda la configuración desde el panel de control	
		TILT			
		RED			
		GREEN			
		BLUE			
		WHITE			
		DIMMER			
		STROBE			
		ZOOM			
SERVICE	CALIB.M	PAN	000~255	Calibra la posición inicial de los motores	
		TILT			
		ZOOM			
	CALIB.C	3200K	RED	000~255	Establece la temperatura de color para Blanco 1
			GREEN		
			BLUE		
			WHITE		
		3400K	RED		Establece la temperatura de color para Blanco 2
			GREEN		
			BLUE		
			WHITE		
		4200K	RED		Establece la temperatura de color para Blanco 3
			GREEN		
			BLUE		
			WHITE		
		4900K	RED		Establece la temperatura de color para Blanco 4
			GREEN		
			BLUE		
			WHITE		
		5600K	RED		Establece la temperatura de color para Blanco 5
			GREEN		
BLUE					
WHITE					
5900K	RED	Establece la temperatura de color para Blanco 6			
	GREEN				
	BLUE				
	WHITE				

Opciones de Menú (cont.)

Nivel Principal	Niveles de Programación			Descripción	
SERVICE (cont.)	CALIB.C (cont.)	6500K	RED	000~255	Establece la temperatura de color para Blanco 7
			GREEN		Establece la temperatura de color para Blanco 8
			BLUE		Establece la temperatura de color para Blanco 9
			WHITE		Establece la temperatura de color para Blanco 10
		7200K	RED		Establece la temperatura de color para Blanco 11
			GREEN		Define la temperatura de color usada cuando COLOR se configura como RGBTOW
			BLUE		Activa/desactiva el código de acceso del nivel principal de CONFIGURACIÓN (SETTINGS)
			WHITE		Activa/desactiva la contraseña del nivel principal de SERVICIO (SERVICE)
		8000K	RED		Permite que los 16 caracteres de texto se muestren por pantalla en el panel de control
			GREEN		Envía la configuración CONTENIDO (CONTENT) del primer producto a todos los otros Q-Wash™ 419Z-LEDs conectados a la salida DMX
			BLUE		Restablece en Contenido los valores de fábrica
			WHITE		
		8500K	RED		
			GREEN		
			BLUE		
			WHITE		
	10000K	RED			
		GREEN			
		BLUE			
		WHITE			
	RGBTOW	RED			
		GREEN			
		BLUE			
	ACCESS	SETTINGS LOCK	OFF		
			ON		
		SERVICE LOCK	OFF		
			ON		
	CONTENT	DISPLAY1	*****		
DISPLAY2		*****			
SEND		NO			
		YES			
Service Recovery	**** (Introducir código de acceso)				

Valores DMX

PERSON1	Canal	Función	Valor	Porcentaje/Configuración
	1	Desplazamiento Lateral	000 ó 255	0~100%
	2	Inclinación	000 ó 255	0~100%
	3	Rojo	000 ó 255	0~100%
	4	Verde	000 ó 255	0~100%
	5	Azul	000 ó 255	0~100%
	6	Blanco	000 ó 255	0~100%
	7	Atenuador	000 ó 255	0~100%
	8	Estroboscopio	000 ó 009 010 ó 255	Sin función 00~20 Hz
	9	Zoom	000 ó 255	0~100%
	10	Control	000 ó 019 020 ó 039 040 ó 059 060 ó 079 080 ó 099 100 ó 119 120 ó 139 140 ó 149 150 ó 159 160 ó 169 170 ó 179 180 ó 199 200 ó 219 220 ó 235 236 ó 239 240 ó 243 244 ó 247 248 ó 251 252 ó 255	Sin función Activación desplazamiento lateral/inclinación Desactivación desplazamiento lateral/inclinación Velocidad del ventilador automática Velocidad del ventilador lenta Velocidad del ventilador normal Alta velocidad del ventilador Programa automático 1 (3 s retardo de activación) Programa automático 2 (3 s retardo de activación) Prueba (3 s retardo de activación) Programa personalizado 1 (3 s retardo de activación) Sin función Reinicio (3 s retardo de activación) Sin función DIM0 (3 s retardo de activación) DIM1 (3 s retardo de activación) DIM2 (3 s retardo de activación) DIM3 (3 s retardo de activación) DIM4 (3 s retardo de activación)

Valores DMX (cont.)

PERSON2

Canal	Función	Valor	Porcentaje/Configuración
1	Desplazamiento Lateral	000 ó 255	0~100%
2	Afinar desplazamiento lateral	000 ó 255	0~100%
3	Inclinación	000 ó 255	0~100%
4	Afinar inclinación	000 ó 255	0~100%
5	Velocidad Desplazamiento lateral/Inclinación	000 ó 255	0~100%
6	Rojo	000 ó 255	0~100%
7	Afinar Rojo	000 ó 255	0~100%
8	Verde	000 ó 255	0~100%
9	Afinar Verde	000 ó 255	0~100%
10	Azul	000 ó 255	0~100%
11	Afinar Azul	000 ó 255	0~100%
12	Blanco	000 ó 255	0~100%
13	Afinar Blanco	000 ó 255	0~100%
14	Macro Color/Blanco	000 ó 010 011 ó 030 031 ó 050 051 ó 070 071 ó 090 091 ó 110 111 ó 130 131 ó 150 151 ó 170 171 ó 200 201 ó 205 206 ó 210 211 ó 215 216 ó 220 221 ó 225 226 ó 230 231 ó 235 236 ó 240 241 ó 245 246 ó 250 251 ó 255	Sin función R: 100% V: 0~100% A: 0 R: 100%-0 V: 100% A: 0 R: 0 V: 100% A: 0~100% R: 0 V: 100%-0 A: 100% R: 0~100% V: 0 A: 100% R: 100% V: 0 A: 100%-0 R: 100% V: 0~100% A: 0~100% R: 100%-0 V: 100%-0 A: 100% R: 100% V: 100% A: 100% B:100% Blanco 1 Blanco 2 Blanco 3 Blanco 4 Blanco 5 Blanco 6 Blanco 7 Blanco 8 Blanco 9 Blanco 10 Blanco 11
15	Anillos Automáticos	000 ó 009 010 ó 019 020 ó 029 030 ó 039 040 ó 049 050 ó 059 060 ó 069	Sin función Anillo Estático 1 Anillo Estático 2 Anillo Estático 3 Efecto Anillo 1 Efecto Anillo 2 Efecto Anillo 3

Valores DMX (cont.)

PERSON2
(cont.)

Canal	Función	Valor	Porcentaje/Configuración
15	Anillos Automáticos (cont.)	070 ó 079	Efecto Anillo 4
		080 ó 089	Efecto Anillo 5
		090 ó 099	Efecto Anillo 6
		100 ó 109	Efecto Anillo 7
		110 ó 119	Efecto Anillo 8
		120 ó 129	Efecto Anillo 9
		130 ó 139	Efecto Anillo 10
		140 ó 149	Efecto Anillo 11
		150 ó 159	Efecto Anillo 12
		160 ó 169	Efecto Anillo 13
		170 ó 179	Efecto Anillo 14
		180 ó 189	Anillo Estático 4
		190 ó 199	Anillo Estático 5
		200 ó 209	Anillo Estático 6
		210 ó 219	Anillo Estático 7
		220 ó 229	Anillo Estático 8
230 ó 239	Anillo Estático 9		
240 ó 249	Anillo Estático 10		
250 ó 255	RVAB: 100%		
16	Velocidad Automática	000 ó 255	0~100%
17	Atenuador	000 ó 255	0~100%
18	Afinar Atenuador	000 ó 255	0~100%
19	Estroboscopio	000 ó 009	Sin función
		010 ó 255	00~20 Hz
20	Zoom	000 ó 255	0~100%
21	Control	000 ó 019	Sin función
		020 ó 039	Activación desplazamiento lateral/inclinación
		040 ó 059	Desactivación desplazamiento lateral/inclinación
		060 ó 079	Velocidad del ventilador automática
		080 ó 099	Velocidad del ventilador lenta
		100 ó 119	Velocidad del ventilador normal
		120 ó 139	Alta velocidad del ventilador
		140 ó 149	Programa automático 1 (3 s retardo de activación)
		150 ó 159	Programa automático 2 (3 s retardo de activación)
		160 ó 169	Prueba (3 s retardo de activación)
		170 ó 179	Programa personalizado 1 (3 s retardo de activación)
		180 ó 199	Sin función
		200 ó 219	Reinicio (3 s retardo de activación)
		220 ó 235	Sin función
		236 ó 239	DIM0 (3 s retardo de activación)
		240 ó 243	DIM1 (3 s retardo de activación)
		244 ó 247	DIM2 (3 s retardo de activación)
		248 ó 251	DIM3 (3 s retardo de activación)
252 ó 255	DIM4 (3 s retardo de activación)		

Valores DMX (cont.)

PERSON3

Canal	Función	Valor	Porcentaje/Configuración
1	Desplazamiento Lateral	000 ó 255	0~100%
2	Inclinación	000 ó 255	0~100%
3	Tono	000 ó 255	0~100%
4	Saturación	000 ó 255	0~100%
5	Valor	000 ó 255	0~100%
6	Estroboscopio	000 ó 009 010 ó 255	Sin función 00~20 Hz
7	Zoom	000 ó 255	0~100%
8	Control	000 ó 019	Sin función
		020 ó 039	Activación desplazamiento lateral/inclinación
		040 ó 059	Desactivación desplazamiento lateral/inclinación
		060 ó 079	Velocidad del ventilador automática
		080 ó 099	Velocidad del ventilador lenta
		100 ó 119	Velocidad del ventilador normal
		120 ó 139	Alta velocidad del ventilador
		140 ó 149	Programa automático 1 (3 s retardo de activación)
		150 ó 159	Programa automático 2 (3 s retardo de activación)
		160 ó 169	Prueba (3 s retardo de activación)
		170 ó 179	Programa personalizado 1 (3 s retardo de activación)
		180 ó 199	Sin función
		200 ó 219	Reinicio (3 s retardo de activación)
		220 ó 235	Sin función
		236 ó 239	DIM0 (3 s retardo de activación)
240 ó 243	DIM1 (3 s retardo de activación)		
244 ó 247	DIM2 (3 s retardo de activación)		
248 ó 251	DIM3 (3 s retardo de activación)		
252 ó 255	DIM4 (3 s retardo de activación)		

Valores DMX (cont.)

PERSON4

Canal	Función	Valor	Porcentaje/Configuración
1	Desplazamiento Lateral	000 ó 255	0~100%
2	Afinar desplazamiento lateral	000 ó 255	0~100%
3	Inclinación	000 ó 255	0~100%
4	Afinar inclinación	000 ó 255	0~100%
5	Velocidad Desplazamiento lateral/Inclinación	000 ó 255	0~100%
6	Atenuador	000 ó 255	0~100%
7	Estroboscopio	000 ó 009 010 ó 255	Sin función 00~20 Hz
8	Zoom	000 ó 255	0~100%
9	Control	000 ó 019 020 ó 039 040 ó 059 060 ó 079 080 ó 099 100 ó 119 120 ó 139 140 ó 149 150 ó 159 160 ó 169 170 ó 179 180 ó 199 200 ó 219 220 ó 235 236 ó 239 240 ó 243 244 ó 247 248 ó 251 252 ó 255	Sin función Activación desplazamiento lateral/inclinación Desactivación desplazamiento lateral/inclinación Velocidad del ventilador automática Velocidad del ventilador lenta Velocidad del ventilador normal Alta velocidad del ventilador Programa automático 1 (3 s retardo de activación) Programa automático 2 (3 s retardo de activación) Prueba (3 s retardo de activación) Programa personalizado 1 (3 s retardo de activación) Sin función Reinicio (3 s retardo de activación) Sin función DIM0 (3 s retardo de activación) DIM1 (3 s retardo de activación) DIM2 (3 s retardo de activación) DIM3 (3 s retardo de activación) DIM4 (3 s retardo de activación)

Valores DMX (cont.)**PERSON4
(cont.)**

Canal	Función	Valor	Porcentaje/Configuración
10	Rojo 1	000 ó 255	0~100%
11	Verde 1	000 ó 255	0~100%
12	Azul 1	000 ó 255	0~100%
13	Blanco 1	000 ó 255	0~100%
14	Rojo 2	000 ó 255	0~100%
15	Verde 2	000 ó 255	0~100%
16	Azul 2	000 ó 255	0~100%
17	Blanco 2	000 ó 255	0~100%
18	Rojo 3	000 ó 255	0~100%
19	Verde 3	000 ó 255	0~100%
20	Azul 3	000 ó 255	0~100%
21	Blanco 3	000 ó 255	0~100%

Valores DMX (cont.)

PERSON5

Canal	Función	Valor	Porcentaje/Configuración
1	Desplazamiento Lateral	000 ó 255	0~100%
2	Afinar desplazamiento lateral	000 ó 255	0~100%
3	Inclinación	000 ó 255	0~100%
4	Afinar inclinación	000 ó 255	0~100%
5	Velocidad Desplazamiento lateral/Inclinación	000 ó 255	0~100%
6	Atenuador	000 ó 255	0~100%
7	Afinar Atenuador	000 ó 255	0~100%
8	Estroboscopio	000 ó 009 010 ó 255	Sin función 00~20 Hz
9	Zoom	000 ó 255	0~100%
10	Control	000 ó 019 020 ó 039 040 ó 059 060 ó 079 080 ó 099 100 ó 119 120 ó 139 140 ó 149 150 ó 159 160 ó 169 170 ó 179 180 ó 199 200 ó 219 220 ó 235 236 ó 239 240 ó 243 244 ó 247 248 ó 251 252 ó 255	Sin función Activación desplazamiento lateral/inclinación Desactivación desplazamiento lateral/inclinación Velocidad del ventilador automática Velocidad del ventilador lenta Velocidad del ventilador normal Alta velocidad del ventilador Programa automático 1 (3 s retardo de activación) Programa automático 2 (3 s retardo de activación) Prueba (3 s retardo de activación) Programa personalizado 1 (3 s retardo de activación) Sin función Reinicio (3 s retardo de activación) Sin función DIM0 (3 s retardo de activación) DIM1 (3 s retardo de activación) DIM2 (3 s retardo de activación) DIM3 (3 s retardo de activación) DIM4 (3 s retardo de activación)

Valores DMX (cont.)

PERSON5
(cont.)

Canal	Función	Valor	Porcentaje/Configuración
11	Rojo 1	000 ó 255	0~100%
12	Afinar Rojo 1	000 ó 255	0~100%
13	Verde 1	000 ó 255	0~100%
14	Afinar Verde 1	000 ó 255	0~100%
15	Azul 1	000 ó 255	0~100%
16	Afinar Azul 1	000 ó 255	0~100%
17	Blanco 1	000 ó 255	0~100%
18	Afinar Blanco 1	000 ó 255	0~100%
19	Rojo 2	000 ó 255	0~100%
20	Afinar Rojo 2	000 ó 255	0~100%
21	Verde 2	000 ó 255	0~100%
22	Afinar Verde 2	000 ó 255	0~100%
23	Azul 2	000 ó 255	0~100%
24	Afinar Azul 2	000 ó 255	0~100%
25	Blanco 2	000 ó 255	0~100%
26	Afinar Blanco 2	000 ó 255	0~100%
27	Rojo 3	000 ó 255	0~100%
28	Afinar Rojo 3	000 ó 255	0~100%
29	Verde 3	000 ó 255	0~100%
30	Afinar Verde 3	000 ó 255	0~100%
31	Azul 3	000 ó 255	0~100%
32	Afinar Azul 3	000 ó 255	0~100%
33	Blanco 3	000 ó 255	0~100%
34	Afinar Blanco 3	000 ó 255	0~100%

À Propos de ce Manuel

Le Manuel de Référence du Q-Wash™ 419Z-LED (MdR) reprend des informations de base sur ce produit notamment en matière de connexions, montage, options de menu et valeurs DMX. Téléchargez le manuel d'utilisation sur www.chauvetpro.com pour de plus amples informations.

Clause de Non-responsabilité

Les informations et caractéristiques contenues dans ce manuel sont sujettes à changement sans préavis.

Consignes de Sécurité

- N'ouvrez PAS ce produit. Il ne contient aucun composant susceptible d'être réparé par l'utilisateur.
- Ne regardez PAS la source lumineuse lorsque le produit fonctionne.
- ATTENTION: Le boîtier de ce produit est brûlant lors du fonctionnement.
- Montez toujours ce produit dans un endroit bien ventilé, à au moins, 20 pouces (50 cm) des surfaces adjacentes.
- Ne laissez AUCUNE source inflammable dans un rayon de 50 cm du produit lorsque celui-ci fonctionne.
- Utilisez TOUJOURS un câble de sécurité lorsque vous montez ce produit en hauteur.
- N'utilisez PAS ce produit en extérieur ou tout autre endroit où de la poussière, une chaleur excessive, de l'eau ou de l'humidité pour en affecter le fonctionnement.
- N'utilisez PAS ce produit si le boîtier, les lentilles ou les câbles vous semblent endommagés.
- Ne connectez PAS ce produit ni à un gradateur ni à un rhéostat.
- Connectez UNIQUEMENT ce produit à un circuit protégé et relié à la terre.
- N'utilisez QUE les lyres de suspension ou les poignées pour transporter cet appareil. Ne transportez jamais cet appareil par sa lyre asservie.
- En cas de sérieux problèmes de fonctionnement, arrêtez le système immédiatement.
- La température ambiante maximale supportée par ce produit est de 104° F (40° C). Ne le faites pas fonctionner à des températures plus élevées.

Contact

En dehors des États-Unis, du Royaume-Uni et de l'Irlande, contactez votre fournisseur si vous avez besoin d'assistance ou de retourner votre produit. Consultez le site www.chauvetpro.com pour trouver nos coordonnées.

- Ce qui est Inclus**
- Un Q-Wash™ 419Z-LED
 - Un Cordon d'alimentation
 - Deux Supports Omega
 - Une élingue de Sécurité
 - Une Fiche de Garantie
 - Un Manuel de Référence

Alimentation CA Ce produit est doté d'une alimentation universelle prenant en charge toute tension d'entrée comprise entre 100 et 240 VCA, 50/60 Hz.

Connexion Électrique Vous pouvez connecter jusqu'à 5 Q-Wash™ 419Z-LED à 120 VCA ou 9 unités à 230 VCA. Vous pouvez vous procurer séparément des cordons d'alimentation.

Prise CA

Connexion	Câble (États-Unis)	Câble (Europe)	Couleur de la Vis
Conducteur CA	Noir	Marron	Jaune/Cuivré
Neutre CA	Blanc	Bleu	Argenté
Terre CA	Vert/Jaune	Vert/Jaune	Vert

Remplacement du Fusible

1. Débranchez l'appareil de la prise.
2. À l'aide d'un tournevis Philips à tête n° 2, dévissez le couvercle du porte-fusible.
3. Remplacez le fusible obsolète par un fusible neuf équivalent
4. Revissez le couvercle du porte-fusible et rebranchez l'unité.

Raccordement DMX

Le Q-Wash™ 419Z-LED fonctionnera avec un jeu d'orgues DMX au moyen de connexions DMX en série. Une introduction au DMX est à votre disposition sur www.chauvetpro.com.

Connexion DMX

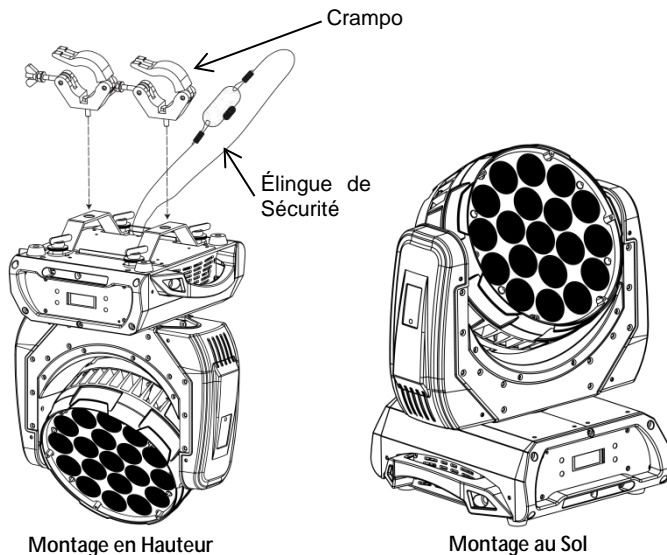
Le Q-Wash™ 419Z-LED utilise une connexion de données DMX standard pour ses personnalités DMX: **PERSON1**, **PERSON2**, **PERSON3**, **PERSON4**, et **PERSON5**. Consultez le manuel d'utilisation pour connecter et configurer le système DMX.

Connexion Maître/Esclave

Le Q-Wash™ 419Z-LED utilise une connexion de données DMX pour son mode Maître/Esclave. Consultez le Manuel d'Utilisation pour connecter et configurer le mode de fonctionnement Maître/Esclave.

Montage

Schéma de Montage de l'appareil



Description du Tableau de Commandes

Bouton	Fonction
MENU	Permet la sortie du menu ou de la fonction en cours
ENTER	Permet l'affichage du menu en cours ou permet de configurer la valeur en cours dans la fonction sélectionnée
UP	Permet de parcourir les listes ou les menus vers le haut, dans une fonction permet d'augmenter les valeurs numériques
DOWN	Permet de parcourir les listes ou les menus vers le bas, dans une fonction permet de diminuer les valeurs numériques

Mot de Passe Une fois que cette page s'affiche, saisissez le mot de passe suivant comme suit: <UP>, <DOWN>, <UP>, <DOWN>, <ENTER>
Ce mot de passe ne peut pas être modifié et doit être saisi sur demande.

Options du Menu

Niveau Principal	Niveaux de Programmation		Description	
ADDRESS	000~512		Configurer l'adresse DMX de départ	
PERSON	PERSON1		Mode 10 canaux	
	PERSON2		Mode 21 canaux	
	PERSON3		Mode 8 canaux	
	PERSON4		Mode 21 canaux	
	PERSON5		Mode 34 canaux	
SETTINGS	PERFORM	FANS	SLOW	Sélectionne le mode de fonctionnement du ventilateur.
			NORM	
			FAST	
			AUTO	
		PT SPEED	FAST	Définit la vitesse de pan/tilt
			SLOW	
		PAN INVERT	NORM	Définit le sens du potentiomètre du pan
			INVERT	
		TILT INVERT	NORM	Définit le sens du potentiomètre du tilt
			INVERT	
		OPTICS SPEED	FAST	Définit la vitesse du zoom
			SLOW	
		BLACKOUT	DELAY	Active la temporisation du noir général en mouvement (3 secondes)
			INSTANT	
		DIMMER	DIM4	Courbes de gradation lentes (DIM 4) à rapides (DIM1)
			DIM3	
			DIM2	
			DIM1	
		CURV	OFF	Gradation linéaire/absence de gradation
			CURV3	Courbes de gradation de lent (CV3) à rapide (CV1)
			CURV2	
			CURV1	
		DIM INVERT	OFF	Pas de gradateur
			NORM	Définit le sens du potentiomètre du gradateur
		INVERT		
		COLOR	UC	Balance des couleurs universelle
			RGBtoW	RVB configuré sur "255" = balance des blancs
OFF	RVB configuré sur "255" = sortie max.			

Options du Menu (suite)

Niveau Principal	Niveaux de Programmation		Description	
SETTINGS (suite)	PERFORM (suite)	DMX ERROR	SAVE	En cas de perte de commande DMX, la dernière commande se maintiendra
			BLACK	Met l'unité en noir général en cas de perte de signal DMX
		DMX RESET	DMX	Le jeu d'orgues DMX peut lancer la réinitialisation de l'appareil
			DISPLAY	Le panneau de commande peut lancer la réinitialisation de l'appareil
		DISPLAY ON	LONG	Détermine la durée du rétroéclairage de l'écran une fois le dernier bouton de commande pressé
			SHORT	
			ALWAYS	
		HOME SCREEN	DMX	Affiche l'adresse DMX
			NAME	Affiche ce qui est programmé via le niveau principal SERVICE > CONTENT
		DISPLAY INVERT	NORM	Permet l'inversion de l'affichage sur le panneau de commande
			INVERT	
		ZOOM POS.	NORMAL	Objectif à zoom est réglé par défaut en usine
	BOOST		Définit le zoom pour mieux performer à des distances plus longues	
	RANGE	P.START	000-255	Définit le point de départ du pan (gamme pan)
		P.END		Définit le point d'arrêt du pan (gamme pan)
		T.START		Définit le point de départ du tilt (gamme tilt)
		T.END		Définit le point d'arrêt du tilt (gamme tilt)
		USE	NO YES	Autorise les modifications
	DISPLAY LOCK	OFF		Active/Désactive le mot de passe sous forme de code du niveau principal
		ON		
	DEFAULT	**** (Saisir le mot de passe)		Réinitialise l'unité aux paramètres d'usine par défaut
	SEND	NO		Envoie TOUS les paramètres de la première unité aux autres Q-Wash™ 419Z-LED reliées à la sortie DMX
		YES		

Options du Menu (suite)

Niveau Principal	Niveaux de Programmation		Description	
STAND ALONE	RUN	DMX 512	Sélectionne le mode de fonctionnement DMX	
		AUTO1	Sélectionne le premier programme automatique	
		AUTO2	Sélectionne le second programme automatique	
		CUSTOM	Sélectionne un programme à configurer par l'utilisateur	
		TEST	Lance la séquence de test de l'appareil	
		SLAVE	Sélectionne le mode de fonctionnement esclave	
	EDIT	STEP	01-49	Sélectionne les pas du programme
		PAN	000-255	Sélectionne la position de pan
		TILT		Sélectionne la position de tilt
		RED		Combine les couleurs rouge, vert, bleu et blanc pour une couleur personnalisée
		GREEN		
		BLUE		
		WHITE		
		DIMMER		Sélectionne la valeur de gradation
		STROBE		Sélectionne la fréquence du stroboscope
		ZOOM		Sélectionne la position du zoom
		TIME		Définit la durée de pas
		USE	NO	Autorise les modifications
		YES		
	SEND	NO		Envoie les paramètres PERSONNALISÉS de la première unité vers toutes les autres Q-Wash™ 419Z-LED reliées à la sortie DMX
YES				
INFO	SOFTWARE	V.X.X	Indique la version installée du logiciel	
MANUAL	RESET	ALL RESET	NO	Réinitialise l'unité à ses paramètres par défaut
			YES	
		PT.RESET	NO	Réinitialise les pan et tilt à leurs paramètres par défaut
			YES	
		OPTIC RESET	NO	Réinitialise le zoom à ses paramètres par défaut
			YES	

Options du Menu (suite)

Niveau Principal	Niveaux de Programmation			Description	
MANUAL (suite)	MANUAL	PAN	000~255	Permet de commander manuellement tous les paramètres du panneau de commande	
		TILT			
		RED			
		GREEN			
		BLUE			
		WHITE			
		DIMMER			
		STROBE			
		ZOOM			
SERVICE	CALIB.M	PAN	000~255	Calibre la position de départ des moteurs	
		TILT			
		ZOOM			
	CALIB.C	3200K	RED	000~255	Définit la température de la couleur pour Blanc 1
			GREEN		
			BLUE		
			WHITE		
		3400K	RED		Définit la température de la couleur pour Blanc 2
			GREEN		
			BLUE		
			WHITE		
		4200K	RED		Définit la température de la couleur pour Blanc 3
			GREEN		
			BLUE		
			WHITE		
		4900K	RED		Définit la température de la couleur pour Blanc 4
			GREEN		
			BLUE		
			WHITE		
		5600K	RED		Définit la température de la couleur pour Blanc 5
			GREEN		
BLUE					
WHITE					
5900K		RED	Définit la température de la couleur pour Blanc 6		
	GREEN				
	BLUE				
	WHITE				

Options du Menu (suite)

Niveau Principal	Niveaux de Programmation			Description	
SERVICE (cont.)	CALIB.C (cont.)	6500K	RED	000~255	Définit la température de la couleur pour Blanc 7
			GREEN		
			BLUE		
			WHITE		
		7200K	RED		Définit la température de la couleur pour Blanc 8
			GREEN		
			BLUE		
			WHITE		
		8000K	RED		Définit la température de la couleur pour Blanc 9
			GREEN		
			BLUE		
			WHITE		
	8500K	RED	Définit la température de la couleur pour Blanc 10		
		GREEN			
		BLUE			
		WHITE			
	10000K	RED	Définit la température de la couleur pour Blanc 11		
		GREEN			
		BLUE			
		WHITE			
	RGBTOW	RED	Définit la température de la couleur utilisée quand COLOR est configuré sur RGBTOW .		
		GREEN			
		BLUE			
	ACCESS	SETTINGS LOCK	OFF	Active/Désactive le mot de passe sous forme de code du niveau principal SETTINGS	
ON					
SERVICE LOCK		OFF	Active/Désactive le mot de passe sous forme de code du niveau principal SERVICE		
		ON			
CONTENT	DISPLAY1	*****	Permet l'affichage de 16 caractères de texte sur le panneau de commande		
	DISPLAY2	*****			
	SEND	NO	Envoie les paramètres de CONTENT de la première unité vers toutes les autres Q-Wash™ 419Z-LED reliées à la sortie DMX		
		YES			
Service Recovery		**** (Saisir le mot de passe)	Retour aux content réglages d'usine par défaut		

Valeurs DMX

PERSON1	Canal	Fonction	Valeur	Pourcentage/Configuration
	1	Pan	000 ó 255	0~100%
	2	Tilt	000 ó 255	0~100%
	3	Rouge	000 ó 255	0~100%
	4	Vert	000 ó 255	0~100%
	5	Bleu	000 ó 255	0~100%
	6	Blanc	000 ó 255	0~100%
	7	Gradateur	000 ó 255	0~100%
	8	Stroboscope	000 ó 009 010 ó 255	Pas de fonction 00~20 Hz
	9	Zoom	000 ó 255	0~100%
	10	Commande	000 ó 019	Pas de fonction
			020 ó 039	Activation noir pan/tilt
			040 ó 059	Désactivation noir pan/tilt
			060 ó 079	Vitesse de ventilateur automatique
			080 ó 099	Vitesse de ventilateur lente
			100 ó 119	Vitesse de ventilateur normale
			120 ó 139	Vitesse de ventilateur rapide
			140 ó 149	Programme auto 1 (temporisation de 3s à l'activation)
			150 ó 159	Programme auto 2 (temporisation de 3s à l'activation)
			160 ó 169	Test (temporisation de 3s à l'activation)
			170 ó 179	Programme personnalisé (temporisation de 3s à l'activation)
			180 ó 199	Pas de fonction
			200 ó 219	Réinitialisation (temporisation de 3s à l'activation)
			220 ó 235	Pas de fonction
			236 ó 239	DIM0 (temporisation de 3s à l'activation)
			240 ó 243	DIM1 (temporisation de 3s à l'activation)
	244 ó 247	DIM2 (temporisation de 3s à l'activation)		
	248 ó 251	DIM3 (temporisation de 3s à l'activation)		
	252 ó 255	DIM4 (temporisation de 3s à l'activation)		

Valeurs DMX (suite)

PERSON2

Canal	Fonction	Valeur	Pourcentage/Configuration
1	Pan	000 ó 255	0~100%
2	Pan fin	000 ó 255	0~100%
3	Tilt	000 ó 255	0~100%
4	Tilt fin	000 ó 255	0~100%
5	Vitesse pan/tilt	000 ó 255	0~100%
6	Rouge	000 ó 255	0~100%
7	Rouge fin	000 ó 255	0~100%
8	Vert	000 ó 255	0~100%
9	Vert fin	000 ó 255	0~100%
10	Bleu	000 ó 255	0~100%
11	Bleu fin	000 ó 255	0~100%
12	Blanc	000 ó 255	0~100%
13	Blanc fin	000 ó 255	0~100%
14	Macro Couleur/Blanc	000 ó 010	Pas de fonction
		011 ó 030	R: 100% V: 0~100%B: 0
		031 ó 050	R: 100%~0V: 100% B: 0
		051 ó 070	R: 0 V: 100% B: 0~100%
		071 ó 090	R: 0 V: 100%~0B: 100%
		091 ó 110	R: 0~100%V: 0 B: 100%
		111 ó 130	R: 100% V: 0 B: 100%~0
		131 ó 150	R: 100% V: 0~100%B: 0~100%
		151 ó 170	R: 100%~0V: 100%~0B: 100%
		171 ó 200	R: 100% V: 100% B: 100% b:100%
		201 ó 205	Blanc 1
		206 ó 210	Blanc 2
		211 ó 215	Blanc 3
		216 ó 220	Blanc 4
		221 ó 225	Blanc 5
		226 ó 230	Blanc 6
		231 ó 235	Blanc 7
236 ó 240	Blanc 8		
241 ó 245	Blanc 9		
246 ó 250	Blanc 10		
251 ó 255	Blanc 11		
15	Ronds Automatiques	000 ó 009	Pas de fonction
		010 ó 019	Rond statique 1
		020 ó 029	Rond statique 2
		030 ó 039	Rond statique 3
		040 ó 049	Effet rond 1
		050 ó 059	Effet rond 2
		060 ó 069	Effet rond 3
		070 ó 079	Effet rond 4
		080 ó 089	Effet rond 5
		090 ó 099	Effet rond 6
		100 ó 109	Effet rond 7

Valeurs DMX (suite)

PERSON2
(suite)

Canal	Fonction	Valeur	Pourcentage/Configuration
15	Ronds Automatiques	110 ◊ 119	Effet rond 8
		120 ◊ 129	Effet rond 9
		130 ◊ 139	Effet rond 10
		140 ◊ 149	Effet rond 11
		150 ◊ 159	Effet rond 12
		160 ◊ 169	Effet rond 13
		170 ◊ 179	Effet rond 14
		180 ◊ 189	Rond statique 4
		190 ◊ 199	Rond statique 5
		200 ◊ 209	Rond statique 6
		210 ◊ 219	Rond statique 7
		220 ◊ 229	Rond statique 8
		230 ◊ 239	Rond statique 9
		240 ◊ 249	Rond statique 10
		250 ◊ 255	RVBb: 100%
16	Vitesse Auto	000 ◊ 255	0~100%
17	Gradateur	000 ◊ 255	0~100%
18	Gradateur fin	000 ◊ 255	0~100%
19	Stroboscope	000 ◊ 009	Pas de fonction
		010 ◊ 255	00~20 Hz
20	Zoom	000 ◊ 255	0~100%
21	Commande	000 ◊ 019	Pas de fonction
		020 ◊ 039	Activation noir pan/tilt
		040 ◊ 059	Désactivation noir pan/tilt
		060 ◊ 079	Vitesse de ventilateur automatique
		080 ◊ 099	Vitesse de ventilateur lente
		100 ◊ 119	Vitesse de ventilateur normale
		120 ◊ 139	Vitesse de ventilateur rapide
		140 ◊ 149	Programme auto 1 (temporisation de 3s à l'activation)
		150 ◊ 159	Programme auto 2 (temporisation de 3s à l'activation)
		160 ◊ 169	Test (temporisation de 3s à l'activation)
		170 ◊ 179	Programme personnalisé (temporisation de 3s à l'activation)
		180 ◊ 199	Pas de fonction
		200 ◊ 219	Réinitialisation (temporisation de 3s à l'activation)
		220 ◊ 235	Pas de fonction
		236 ◊ 239	DIM0 (temporisation de 3s à l'activation)
		240 ◊ 243	DIM1 (temporisation de 3s à l'activation)
		244 ◊ 247	DIM2 (temporisation de 3s à l'activation)
248 ◊ 251	DIM3 (temporisation de 3s à l'activation)		
252 ◊ 255	DIM4 (temporisation de 3s à l'activation)		

Valeurs DMX (suite)

PERSON3

Canal	Fonction	Valeur	Pourcentage/Configuration
1	Pan	000 ó 255	0~100%
2	Tilt	000 ó 255	0~100%
3	Teintes	000 ó 255	0~100%
4	Saturation	000 ó 255	0~100%
5	Valeur	000 ó 255	0~100%
6	Stroboscope	000 ó 009 010 ó 255	Pas de fonction 00~20 Hz
7	Zoom	000 ó 255	0~100%
8	Commande	000 ó 019	Pas de fonction
		020 ó 039	Activation noir pan/tilt
		040 ó 059	Désactivation noir pan/tilt
		060 ó 079	Vitesse de ventilateur automatique
		080 ó 099	Vitesse de ventilateur lente
		100 ó 119	Vitesse de ventilateur normale
		120 ó 139	Vitesse de ventilateur rapide
		140 ó 149	Programme auto 1 (temporisation de 3s à l'activation)
		150 ó 159	Programme auto 2 (temporisation de 3s à l'activation)
		160 ó 169	Test (temporisation de 3s à l'activation)
		170 ó 179	Programme personnalisé (temporisation de 3s à l'activation)
		180 ó 199	Pas de fonction
		200 ó 219	Réinitialisation (temporisation de 3s à l'activation)
		220 ó 235	Pas de fonction
		236 ó 239	DIM0 (temporisation de 3s à l'activation)
		240 ó 243	DIM1 (temporisation de 3s à l'activation)
244 ó 247	DIM2 (temporisation de 3s à l'activation)		
248 ó 251	DIM3 (temporisation de 3s à l'activation)		
252 ó 255	DIM4 (temporisation de 3s à l'activation)		

Valeurs DMX (suite)

PERSON4

Canal	Fonction	Valeur	Pourcentage/Configuration
1	Pan	000 ó 255	0~100%
2	Pan fin	000 ó 255	0~100%
3	Tilt	000 ó 255	0~100%
4	Tilt fin	000 ó 255	0~100%
5	Vitesse pan/tilt	000 ó 255	0~100%
6	Gradateur	000 ó 255	0~100%
7	Stroboscope	000 ó 009 010 ó 255	Pas de fonction 00~20 Hz
8	Zoom	000 ó 255	0~100%
9	Commande	000 ó 019 020 ó 039 040 ó 059 060 ó 079 080 ó 099 100 ó 119 120 ó 139 140 ó 149 150 ó 159 160 ó 169 170 ó 179 180 ó 199 200 ó 219 220 ó 235 236 ó 239 240 ó 243 244 ó 247 248 ó 251 252 ó 255	Pas de fonction Activation noir pan/tilt Désactivation noir pan/tilt Vitesse de ventilateur automatique Vitesse de ventilateur lente Vitesse de ventilateur normale Vitesse de ventilateur rapide Programme auto 1 (temporisation de 3s à l'activation) Programme auto 2 (temporisation de 3s à l'activation) Test (temporisation de 3s à l'activation) Programme personnalisé (temporisation de 3s à l'activation) Pas de fonction Réinitialisation (temporisation de 3s à l'activation) Pas de fonction DIM0 (temporisation de 3s à l'activation) DIM1 (temporisation de 3s à l'activation) DIM2 (temporisation de 3s à l'activation) DIM3 (temporisation de 3s à l'activation) DIM4 (temporisation de 3s à l'activation)
10	Rouge 1	000 ó 255	0~100%
11	Vert 1	000 ó 255	0~100%
12	Bleu 1	000 ó 255	0~100%
13	Blanc 1	000 ó 255	0~100%
14	Rouge 2	000 ó 255	0~100%
15	Vert 2	000 ó 255	0~100%
16	Bleu 2	000 ó 255	0~100%
17	Blanc 2	000 ó 255	0~100%
18	Rouge 3	000 ó 255	0~100%
19	Vert 3	000 ó 255	0~100%
20	Bleu 3	000 ó 255	0~100%
21	Blanc 3	000 ó 255	0~100%

Valeurs DMX (suite)

PERSON5

Canal	Fonction	Valeur	Pourcentage/Configuration
1	Pan	000 ó 255	0~100%
2	Pan fin	000 ó 255	0~100%
3	Tilt	000 ó 255	0~100%
4	Tilt fin	000 ó 255	0~100%
5	Vitesse pan/tilt	000 ó 255	0~100%
6	Gradateur	000 ó 255	0~100%
7	Gradateur fin	000 ó 255	0~100%
8	Stroboscope	000 ó 009 010 ó 255	Pas de fonction 00~20 Hz
9	Zoom	000 ó 255	0~100%
10	Commande	000 ó 019	Pas de fonction
		020 ó 039	Activation noir pan/tilt
		040 ó 059	Désactivation noir pan/tilt
		060 ó 079	Vitesse de ventilateur automatique
		080 ó 099	Vitesse de ventilateur lente
		100 ó 119	Vitesse de ventilateur normale
		120 ó 139	Vitesse de ventilateur rapide
		140 ó 149	Programme auto 1 (temporisation de 3s à l'activation)
		150 ó 159	Programme auto 2 (temporisation de 3s à l'activation)
		160 ó 169	Test (temporisation de 3s à l'activation)
		170 ó 179	Programme personnalisé (temporisation de 3s à l'activation)
		180 ó 199	Pas de fonction
		200 ó 219	Réinitialisation (temporisation de 3s à l'activation)
		220 ó 235	Pas de fonction
236 ó 239	DIM0 (temporisation de 3s à l'activation)		
240 ó 243	DIM1 (temporisation de 3s à l'activation)		
244 ó 247	DIM2 (temporisation de 3s à l'activation)		
248 ó 251	DIM3 (temporisation de 3s à l'activation)		
252 ó 255	DIM4 (temporisation de 3s à l'activation)		
11	Rouge 1	000 ó 255	0~100%
12	Rouge 1 fin	000 ó 255	0~100%
13	Vert 1	000 ó 255	0~100%
14	Vert 1 fin	000 ó 255	0~100%
15	Bleu 1	000 ó 255	0~100%
16	Bleu 1 fin	000 ó 255	0~100%
17	Blanc 1	000 ó 255	0~100%
18	Blanc 1 fin	000 ó 255	0~100%

Valeurs DMX (suite)**PERSON5
(suite)**

Canal	Fonction	Valeur	Pourcentage/Configuration
19	Rouge 2	000 ∘ 255	0~100%
20	Rouge 2 fin	000 ∘ 255	0~100%
21	Vert 2	000 ∘ 255	0~100%
22	Vert 2 fin	000 ∘ 255	0~100%
23	Bleu 2	000 ∘ 255	0~100%
24	Bleu 2 fin	000 ∘ 255	0~100%
25	Blanc 2	000 ∘ 255	0~100%
26	Blanc 2 fin	000 ∘ 255	0~100%
27	Rouge 3	000 ∘ 255	0~100%
28	Rouge 3 fin	000 ∘ 255	0~100%
29	Vert 3	000 ∘ 255	0~100%
30	Vert 3 fin	000 ∘ 255	0~100%
31	Bleu 3	000 ∘ 255	0~100%
32	Bleu 3 fin	000 ∘ 255	0~100%
33	Blanc 3	000 ∘ 255	0~100%
34	Blanc 3 fin	000 ∘ 255	0~100%

Contact Information

Outside the U.S., United Kingdom, or Ireland, contact your distributor for support or return procedures.

World Headquarters

CHAUVET®
5200 NW 108th Avenue
Sunrise, FL 33351

Voice: 954.577.4455

Fax: 954.929.5560

Toll Free: 800.762.1084

U.S. Technical Support

Voice: 954.577.4455 (press 4)

Fax: 954.756.8015

Toll Free: 800.762.1084

Email: tech@chauvetlighting.com

Website: www.chauvetlighting.com

United Kingdom and Ireland

CHAUVET® Europe Ltd.
Unit 1C
Brookhill Road Industrial Estate
Pinxton, Nottingham, UK
NG16 6NT

Voice: +44 (0)1773 511115

Fax: +44 (0)1773 511110

U.K. Technical Support

Email: uktech@chauvetlighting.com

Website: www.chauvetlighting.co.uk



UL 1573

CSA C22.2 No. 166

E113093



RoHS

