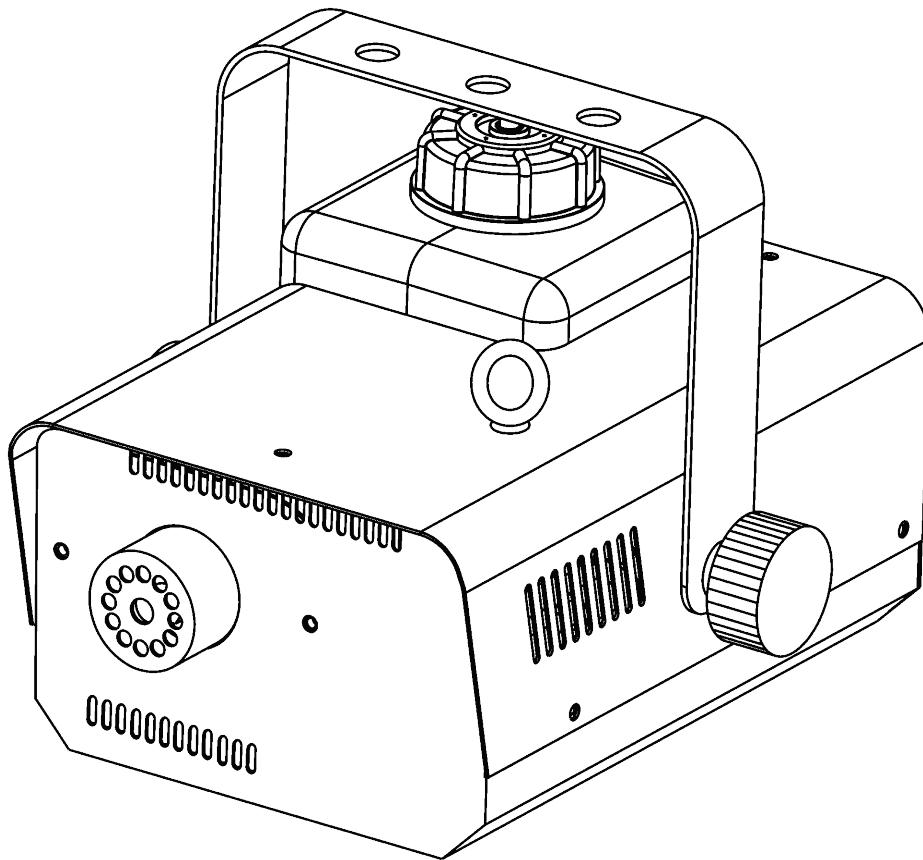


# **HURRICANE**<sup>TM</sup>

**901**

*User Manual*



**CHAUVET**<sup>®</sup>

*Value • Innovation • Performance*

---

# TABLE OF CONTENTS

<b>1. Before you Begin</b> .....	<b>3</b>
What is Included.....	3
Unpacking Instructions .....	3
<i>Claims</i> .....	3
Text Conventions .....	3
Icons .....	3
Document Information .....	3
Product at a Glance.....	4
Safety Notes .....	4
<b>2. Introduction</b> .....	<b>5</b>
Product Overview.....	5
<b>3. Setup</b> .....	<b>6</b>
AC Power.....	6
<i>Fuse Replacement</i> .....	6
Mounting .....	7
<i>Orientation</i> .....	7
<i>Rigging</i> .....	7
<b>4. Operation</b> .....	<b>8</b>
Manual Local Operation .....	8
Manual Remote Operation.....	8
Timer Remote Operation .....	8
Wireless Remote Operation.....	10
<b>5. Technical Information</b> .....	<b>11</b>
Product Maintenance .....	11
Storage .....	11
General Troubleshooting .....	12
Contact Procedure .....	13
CHAUVET® Contact Information .....	13
Returning Products to CHAUVET®.....	13
<b>6. Technical Specifications</b> .....	<b>14</b>

# 1. BEFORE YOU BEGIN

## What is Included

- 1 x Hurricane™ 901
- 1 x Power Cord
- 1 x Warranty Card
- 1 x User Manual

## Unpacking Instructions

Immediately upon receiving this product, carefully unpack it and check the container in which you received it. Make sure that you have received all the parts indicated above and that they are all in good condition.

### Claims




If the material inside the container (this product and any other accessory included with it) appears damaged from shipping, or if the container shows signs of mishandling, notify the shipper immediately, not CHAUVET®, upon reception of the damaged merchandise. Failure to do so in a timely manner may invalidate your claim with the carrier. In addition, retain the container and all the packing material for inspection.

For other issues such as missing components or parts, damage not related to shipping, or concealed damage, you should make claims to CHAUVET® within seven (7) days of receiving the merchandise.

## Text Conventions

Convention	Meaning
<Menu>	A key to be pressed on the fixture's control panel
1~512	A range of values
50/60	A set of values of which only one can be chosen
<i>Claims</i>	A section or chapter in this document
<b>Settings</b>	A menu option not to be modified (for example, showing the operating mode/current status)
<b>Menu &gt; Settings</b>	A sequence of menu options to be followed
ON	A value to be entered or selected

## Icons

Icon	Meaning
	This paragraph contains critical installation, configuration, or operation information. Failure to comply with this information may render the fixture partially or completely inoperative, cause damage to the fixture, or cause harm to the user.
	This paragraph contains important installation or configuration information. Failure to comply with this information may prevent the fixture from functioning correctly.
	This paragraph reminds you of useful, although not critical, information.

## Document Information

The information and specifications contained in this document are subject to change without notice. CHAUVET® assumes no responsibility or liability for any errors or omissions that may appear in this manual. CHAUVET® reserves the right to update the existing document or to create a new document to correct any errors or omissions.

You can download the latest version of this document from [www.chauvetlighting.com](http://www.chauvetlighting.com).











© Copyright 2013 CHAUVET®. All rights reserved

Printed in P.R.C.

Electronically published by CHAUVET® in the United States of America

Author	Updated
O. Desmonteix	1/8/13

## Product at a Glance

Use on Dimmer		Auto Programs	
Outdoor Use		Fixed voltage (120 V / 230 V)	
Sound Activated		Replaceable Fuse	
DMX		User Serviceable	
Master/Slave		Duty Cycle	

## Safety Notes

Please read the following notes carefully **before** starting to work with this product. They include important safety information about its installation, usage, and maintenance.



- Always connect this product to a grounded circuit to avoid the risk of electrocution.
- Always disconnect this product from the power source before cleaning it or replacing the fuse.
- Make sure the power cord is not crimped or damaged.
- Never disconnect this product from power cord by pulling or tugging on the cord.
- If mounting this product overhead, always secure it to a fastening device using a safety cable.
- Make sure there are no flammable materials close to the unit while operating.
- Do not touch this product's housing when operating because it may be very hot.
- Do not mount this product on a flammable surface (linoleum, carpet, wood, paper, carton, plastic, etc.)
- This product's nozzle is very hot during operation and it remains hot for a long time after operation has stopped.
- The fog exits the nozzle at a very high temperature. Keep a minimum distance of 6.5 ft (2 m) from the nozzle to the nearest object.
- Do not use this product as a space heater.
- Do not add flammable liquids (alcohol, perfume, gasoline, kerosene, solvents, etc.) to the fog fluid.
- Avoid ingesting the fog fluid. If that happens, immediately call the medical emergency number (911 in the US) and seek help.



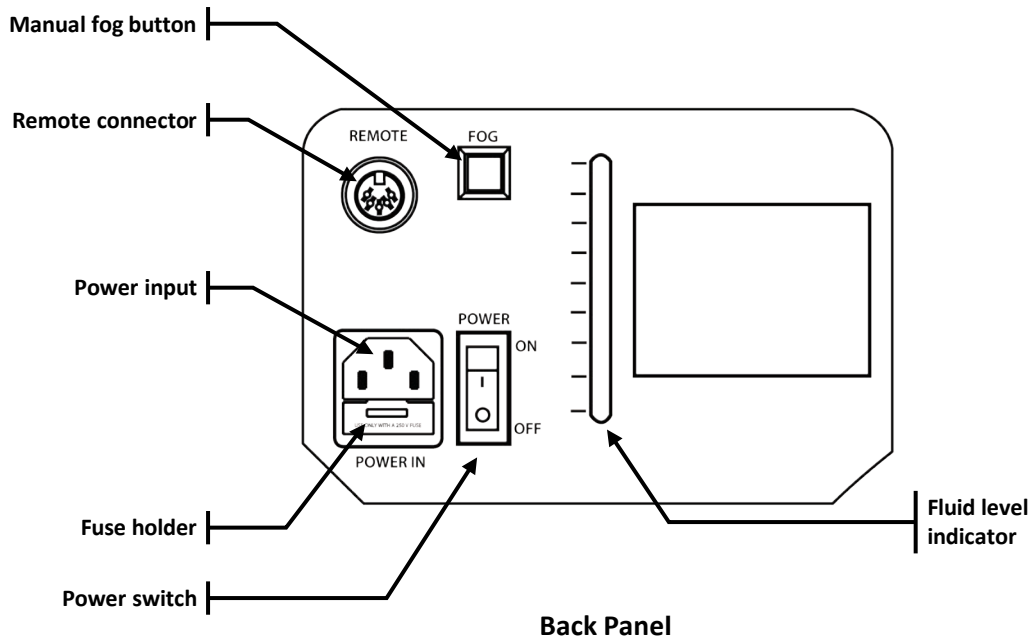
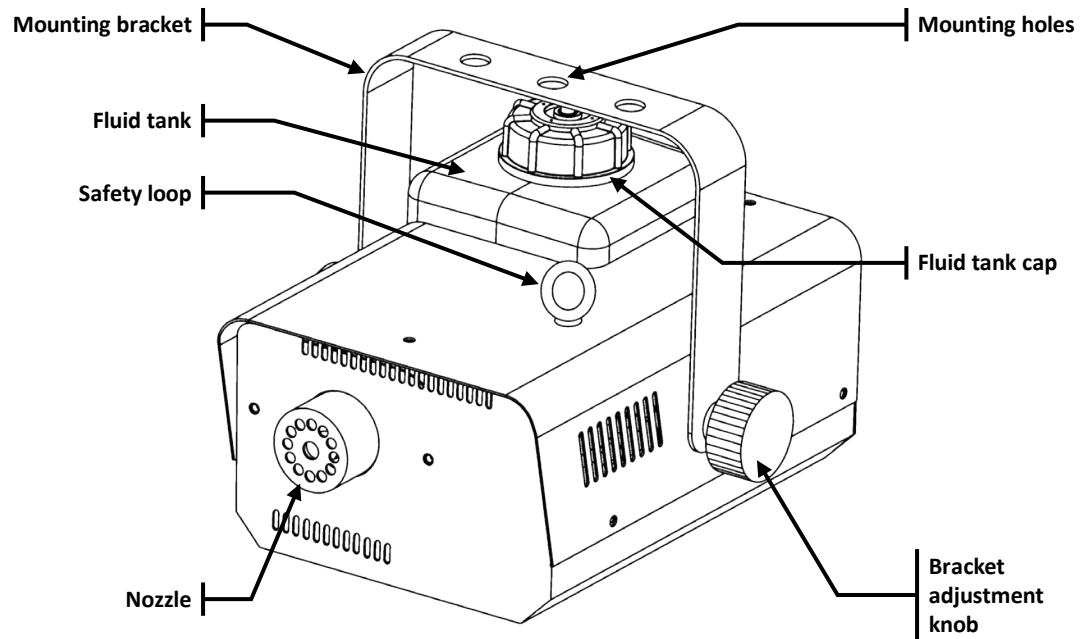
- Always make sure that the voltage of the outlet to which you are connecting this product is within the range stated on the decal or rear panel of the fixture.
- This product is for indoor use only! (IP20) To prevent risk of fire or shock, do not expose this fixture to rain or moisture.
- Always install this product in a location with adequate ventilation, at least 20 in (50 cm) from adjacent surfaces.
- Be sure that no ventilation slots on the unit's housing are blocked.
- Never connect this product to a dimmer pack.
- Make sure to replace the fuse with another of the same type and rating.
- Never carry this product from the power cord. Always use the mounting bracket.
- The maximum ambient temperature (Ta) is 104° F (40° C). Do not operate this product at higher temperatures.
- In the event of a serious operating problem, stop using the unit immediately.
- Never try to repair this product. Repairs carried out by unskilled people can lead to damage or malfunction. Please contact the nearest authorized technical assistance center.
- Use only CHAUVET® water-based fog fluid.



- Keep this User Manual for future consultation. If you sell this product to another user, be sure that they also receive this document.

## 2. INTRODUCTION

### Product Overview



## 3. SETUP

### AC Power

This product has a fixed voltage power supply and it can work with an input voltage of either 120 V, 60 Hz or 230 V, 50 Hz, depending on the specific model.



**Make sure that the model of your Hurricane™ 901 fogger matches the voltage of the power outlet to which you want to connect it, whether 120 V or 230 V. Connecting this product to the wrong input voltage would void its warranty and it may permanently damage the Hurricane™ 901.**

To determine the power requirements for this product (circuit breaker, power outlet, and wiring), use the current value listed on the label affixed to the product's back panel, or refer to the product's specifications chart. The listed current rating indicates the product's average current draw under normal conditions.



**Always connect this product to a protected circuit (circuit breaker or fuse), making sure that it has an appropriate electrical ground to avoid the risk of electrocution or fire.**



**Never connect this product to a rheostat (variable resistor) or dimmer circuit, even if the rheostat or dimmer channel serves only as a 0 to 100% switch.**

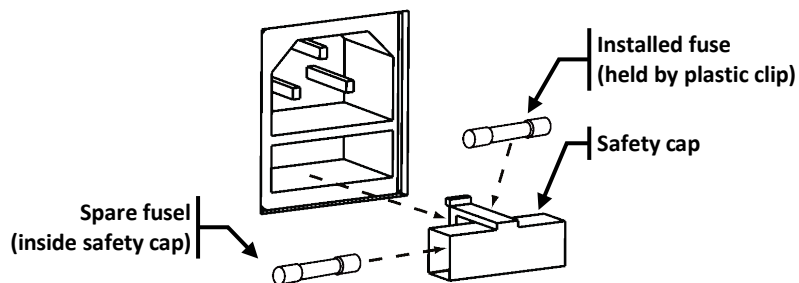
### Fuse Replacement

This product uses an F 10 A, 250 V fuse. Follow the instructions below to change it in case it blows.



**Disconnect this product from the power outlet before replacing the fuse.**

- 1) Wedge the tip of a flat head screwdriver into the slot of the fuse holder and pry it out of its housing.
- 2) Remove the blown fuse from its holder and replace it with a fuse of the exact same type and rating.
- 3) Insert the fuse holder back into its place, and reconnect power.



**Always replace a blown fuse with a good fuse of the same type and rating.**



**Although the safety cap does have room for a spare fuse, this product ships with no spare fuse.**

## Mounting

Before mounting this product, read and follow the safety recommendations indicated in the *Safety Notes* section (page 2 of this manual).

### Orientation

The Hurricane™ 901 may be mounted in any position, provided there is adequate room for ventilation around it.

### Rigging

Before deciding on a location for this product, always make sure that it will be easy to access the unit for maintenance and fluid replenishment purposes.

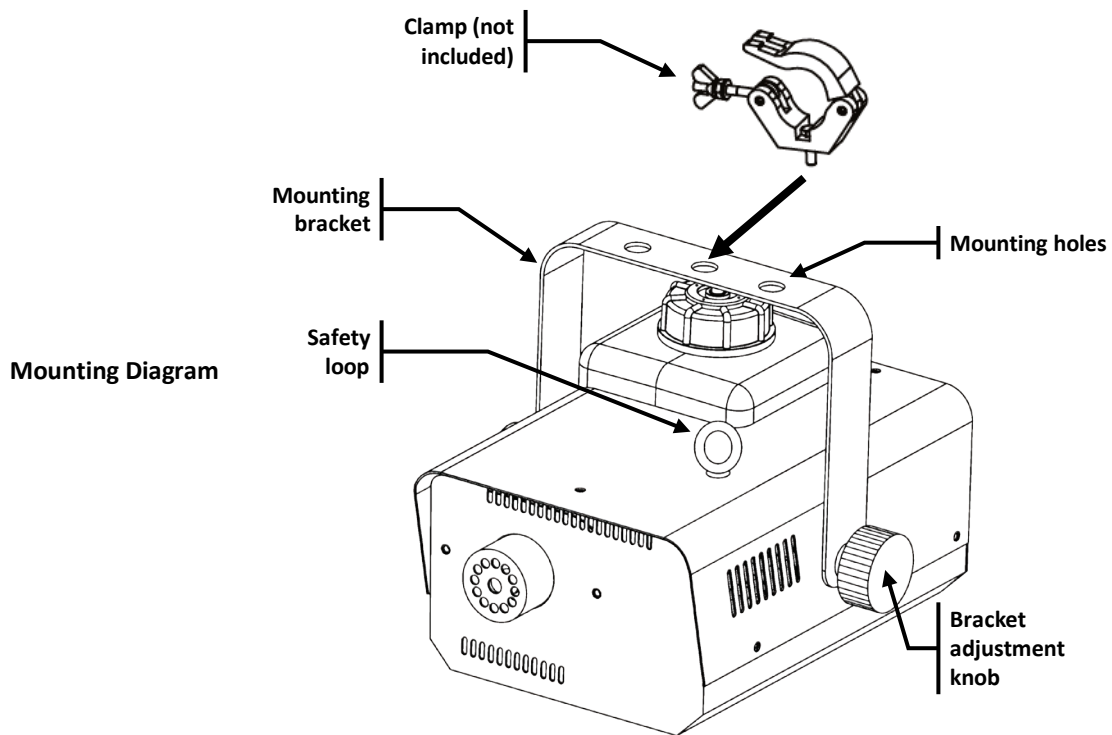
Make sure that the structure or surface onto which you are mounting this product can support its weight. Please see the *Technical Specifications* section of this manual for weight information.

When mounting this product overhead, always use a safety cable. Mount the fixture securely to a rigging point, whether an elevated platform or a truss.

When rigging this product onto a truss, you should use a mounting clamp of appropriate weight capacity. The bracket has a 13 mm hole, which is appropriate for this purpose.

The bracket adjustment knobs allow for directional adjustment when aiming the product to the desired angle. Only loosen or tighten the bracket knobs using your bare hands. Using tools could damage the knobs.

The rubber feet allow for surface mounting. When mounting this fixture on the floor, make sure that the fixture and its cables are away from people and vehicles. Refer to the *Safety Notes* section (page 2 of this manual)



## 4. OPERATION

### Manual Local Operation

To operate the Hurricane™ 901, do the following:

- 1) Plug the fog machine into power and turn the power switch to the fixture on.
- 2) Press **<FOG>** on the rear of the fog machine to trigger the fog output. The fog will start.
- 3) Release the button to stop the fog output.

### Manual Remote Operation

The Hurricane™ 901 comes with a wired manual remote control (model FC-M). This control allows the user to start and stop the fog output.

To operate this product, follow the instructions below:

- 1) Plug the fog machine into power and turn the power switch to the fixture on.
- 2) Plug in the wired manual remote FC-M into the Remote Control socket on the rear of the fog machine.
- 3) Press **<FOG>** on the remote to trigger the fog output. The fog will start.
- 4) Release the button to stop the fog output.



The Hurricane™ 901 unit may stop producing fog to allow for fluid reheating after a period of continuous fog output. This is a normal occurrence.

### Timer Remote Operation

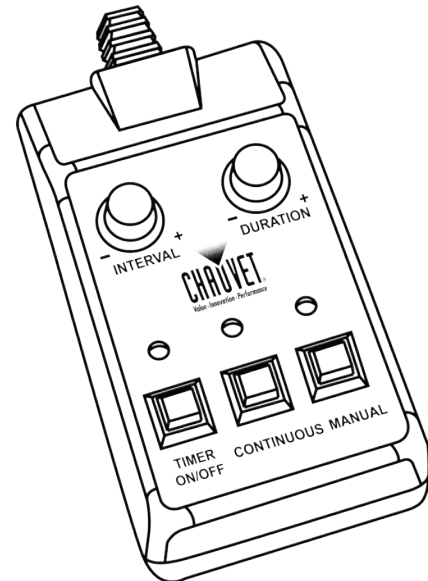
The Hurricane™ 901 can operate with the optional wired timer remote control (model FC-T). This control allows the user to start and stop the fog output manually, as well as to operate the Hurricane™ 901 in timer mode.

To operate this product, follow the instructions below:

- 1) Plug the fog machine into power and turn the power switch to the fixture on
- 2) Plug in the wired timer remote FC-T into the Remote Control socket on the rear of the fog machine.

#### Timer operation

- 1) Press and latch **<TIMER ON/OFF>** on the FC-T remote. The yellow LED should illuminate.
- 2) Use the **INTERVAL** knob to adjust the time between bursts of fog.
- 3) Use the **DURATION** knob to adjust the duration of each burst of fog.



Continues on the next page



## Timer Remote Operation (Cont.)

### Manual Continuous Operation

- 1) For continuous operation, press and latch **<CONTINUOUS>** on the FC-T remote. The red LED should illuminate.
- 2) The Hurricane™ 901 will continue generating fog until you press **<CONTINUOUS>** again to unlatch it.



**Make sure to press <CONTINUOUS> again to stop the fog output.**

### Manual Burst Operation

- 1) For burst operation, press **<MANUAL>** on the FC-T remote. The green LED should illuminate.
- 2) The Hurricane™ 901 will continue generating fog until you release **<MANUAL>**.



**The Hurricane™ 901 unit may stop producing fog to allow for fluid reheating after a period of continuous fog output. This is a normal occurrence.**

## Wireless Remote Operation

The Hurricane™ 901 can operate with the optional wireless remote control (model FC-W). This control allows the user to start and stop the fog output manually without the limitations of the wired remote controls.

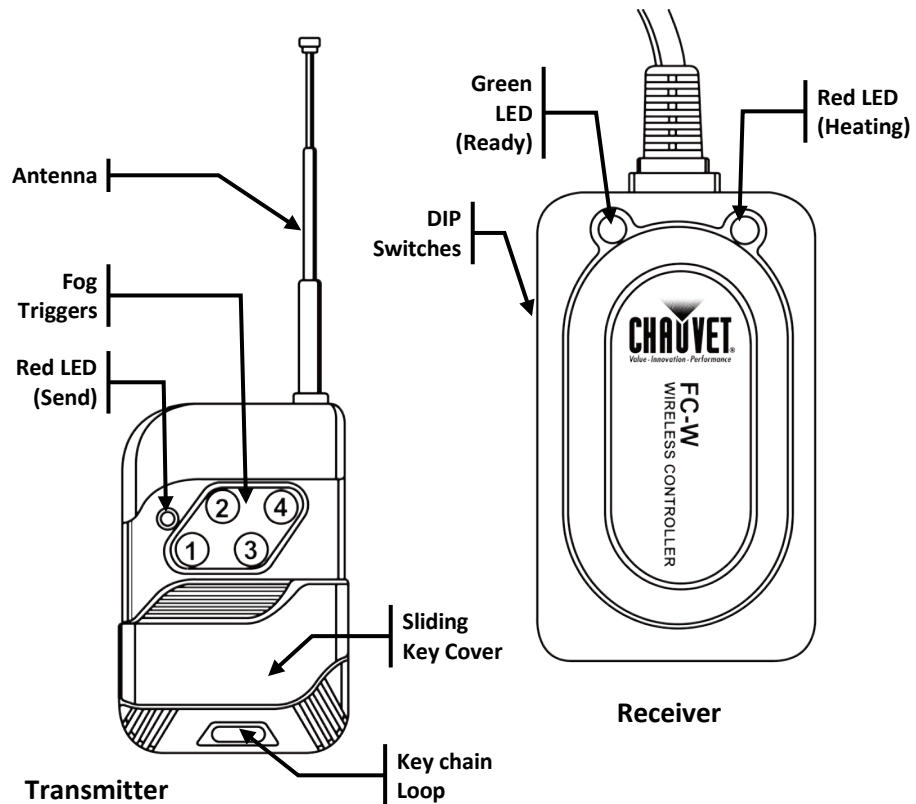
The FC-W consists of a receiver and a key chain transmitter. The transmitter has four control buttons, each of them assigned to a specific channel. The receiver has four DIP switches to tune it on one of those four channels. This allows the operator to control up to four independent Hurricane™ 901 units. It is also possible to control more than four Hurricane™ 901 units by assigning the same receiving channel to more than one Hurricane™ 901 unit.

To operate this product, follow the instructions below:

- 1) Plug the fog machine into power and turn the power switch to the fixture on.
- 2) Plug in the wireless remote control receiver FC-W into the Remote Control socket on the rear of the fog machine.
- 3) Select the receiving channel by configuring the DIP switch as follows:

Channel	DIP Switches			
	1	2	3	4
1	ON	Off	Off	Off
2	Off	ON	Off	Off
3	Off	Off	ON	Off
4	Off	Off	Off	ON

- 4) Press the corresponding button on the FC-W transmitter and the Hurricane™ 901 will output fog for as long as you keep that button pressed.



The Hurricane™ 901 unit may stop producing fog to allow for fluid reheating after a period of continuous fog output. This is a normal occurrence.

---

## 5. TECHNICAL INFORMATION

### **Product Maintenance**

Do not allow the haze machine to become contaminated. After every 40 hours of continuous operation, use Chauvet® Fog Cleaner Quart (or a solution of 80% distilled water and 20% distilled vinegar) through the system to prevent the accumulation of particulate matter in the heating element is recommended.

The recommended cleaning regimen is as follows:

1. Empty all haze liquid from the machine.
2. Add cleaning solution to tank.
3. Plug unit in and allow it to warm up.
4. Run the unit in a well-ventilated area until the tank is almost empty. Do not allow the pump to run dry.
5. Cleaning is now complete. Refill with haze liquid. Run the machine briefly to clear any cleaning solution from the pump and heater.



**Fog Cleaner Quart (FCQ) was specifically developed by Chauvet® to clean your Hurricane™ 901. Make sure you use FCQ regularly to increase the life of your product.**

### **Storage**

Before storing this product, FCQ through the system as described in the cleaning method above. This will help to avoid any particles condensing inside the pump or heater.

Test-run your Hurricane™ 901 on a monthly basis to achieve the best performance.

## General Troubleshooting

Symptom	Possible Cause	Possible Action
Circuit breaker or fuse keeps blowing	<ul style="list-style-type: none"> <li>Excessive load on the circuit</li> </ul>	<ul style="list-style-type: none"> <li>Make sure that the total load does not exceed 80% of the breaker or fuse nominal current</li> </ul>
	<ul style="list-style-type: none"> <li>Short circuit along the power lines</li> </ul>	<ul style="list-style-type: none"> <li>Check the power lines and power cords</li> </ul>
Product does not power up	<ul style="list-style-type: none"> <li>No energy on power outlet</li> </ul>	<ul style="list-style-type: none"> <li>Check power outlet</li> <li>Change to another outlet</li> </ul>
	<ul style="list-style-type: none"> <li>Loose or damaged power cord</li> </ul>	<ul style="list-style-type: none"> <li>Check the power cord</li> </ul>
	<ul style="list-style-type: none"> <li>Blown fuse</li> </ul>	<ul style="list-style-type: none"> <li>Replace blown fuse with a good one of the same type and rating</li> </ul>
	<ul style="list-style-type: none"> <li>Internal problem</li> </ul>	<ul style="list-style-type: none"> <li>Send product for repair</li> </ul>
Product does not output fog	<ul style="list-style-type: none"> <li>No fluid</li> </ul>	<ul style="list-style-type: none"> <li>Turn the product off and replenish the fog fluid (use only Chauvet fog fluid)</li> </ul>
	<ul style="list-style-type: none"> <li>Heater or pump clogged</li> </ul>	<ul style="list-style-type: none"> <li>Use Chauvet cleaner to free the path.</li> </ul>
	<ul style="list-style-type: none"> <li>Wired remote disconnected or defective</li> </ul>	<ul style="list-style-type: none"> <li>Make sure that the remote is connected</li> <li>Try the remote on another HURRICANE™ 901</li> </ul>
	<ul style="list-style-type: none"> <li>Inappropriate wired remote operation</li> </ul>	<ul style="list-style-type: none"> <li>Read the instructions for both wired remote units</li> </ul>
	<ul style="list-style-type: none"> <li>Wireless remote receiver not connected</li> </ul>	<ul style="list-style-type: none"> <li>Make sure that the wireless remote receiver is connected</li> </ul>
	<ul style="list-style-type: none"> <li>Wireless remote transmitter ran out of battery</li> </ul>	<ul style="list-style-type: none"> <li>Replace battery on wireless remote transmitter</li> </ul>
	<ul style="list-style-type: none"> <li>Wireless remote pair needs configuration</li> </ul>	<ul style="list-style-type: none"> <li>Make sure to configure the wireless remote pair as per the instructions in this manual</li> </ul>
	<ul style="list-style-type: none"> <li>Internal problem</li> </ul>	<ul style="list-style-type: none"> <li>Send the product for repair</li> </ul>



If you still experience problems after trying the above solutions, contact CHAUVET® Technical Support.

## Contact Procedure

In case you need to return a product or request support, follow the procedure below:

- If you live in the US, contact CHAUVET® World Headquarters (see below).
- If you live in the UK or Ireland, contact CHAUVET® Europe Ltd. (see below).
- If you live in any other country, DO NOT contact CHAUVET®. Instead, contact your distributor of record. Refer to our Web site for contact details of distributors outside the U.S., United Kingdom, or Ireland.

## CHAUVET® Contact Information

### World Headquarters

CHAUVET®

#### General Information

Address: 5200 NW 108th Avenue  
Sunrise, FL 33351  
Voice: (954) 929-1115  
Fax: (954) 929-5560  
Toll free: (800) 762-1084

#### Technical Support

Voice: (954) 929-1115 (Press 4)  
Fax: (954) 756-8015  
Email: tech@chauvetlighting.com

#### World Wide Web

[www.chauvetlighting.com](http://www.chauvetlighting.com)

### United Kingdom & Ireland

CHAUVET® Europe Ltd.

#### General Information

Address: Unit 1C  
Brookhill Road Industrial Estate  
Pinxton, Nottingham, UK  
NG16 6NT  
Voice: +44 (0)1773 511115  
Fax: +44 (0)1773 511110

#### Technical Support

Email: [uktech@chauvetlighting.com](mailto:uktech@chauvetlighting.com)

#### World Wide Web

[www.chauvetlighting.co.uk](http://www.chauvetlighting.co.uk)



**If you live outside the U.S., United Kingdom, or Ireland, contact your distributor of record and follow their instructions on how to return CHAUVET® products to them. Visit our website for contact details.**

## Returning Products to CHAUVET®

Call the corresponding CHAUVET® Tech Support office and request a Return Merchandise Authorization (RMA) number before shipping the fixture. Be prepared to provide the model number, serial number, and a brief description of the cause for the return.

You must send the merchandise prepaid, in its original box, and with its original packing and accessories. CHAUVET® will not issue call tags.

Clearly label the package with the RMA number. CHAUVET® will refuse any product returned without an RMA number.



**DO NOT write the RMA number directly on the box. Instead, write it on a properly affixed label.**

Before sending the product, clearly write the following information on a piece of paper and place it inside the box:

- Your name
- Your address
- Your phone number
- The RMA number
- A brief description of the problem

Be sure to pack the fixture properly. Any shipping damage resulting from inadequate packaging will be your responsibility. Proper FedEx packing or double-boxing are recommended.



**CHAUVET® reserves the right to use its own discretion to repair or replace returned product(s).**

## 6. TECHNICAL SPECIFICATIONS

<b>Dimensions and Weight</b>	<b>Length</b>	<b>Width</b>	<b>Height</b>	<b>Weight</b>
	10.4 in (264 mm)	8.7 in (221 mm)	9.1 in (231 mm)	7.7 lbs (3.5 kg)
<b>Note:</b> Dimensions in inches rounded to the nearest decimal digit.				
<b>Power</b>	<b>Power Supply Type</b>	<b>Range</b>	<b>Voltage Selection</b>	
	Magnetic (internal)	120 V, 60 Hz or 230 V, 50 Hz	Fixed (per model)	
	<b>Parameter</b>	<b>120 V, 60 Hz</b>	<b>230 V, 50 Hz</b>	
	Consumption	582 W	777 W	
	Operating Current	5.87 A	3,5 A	
	Fuse	F 10 A, 250 V	F 10 A, 250 V	
<b>Operation</b>	<b>Power I/O</b>	<b>US/Worldwide</b>	<b>UK/Europe</b>	
	Power input connector	IEC	IEC	
	Power Cord plug	Edison (US)	Local plug	
<b>Remote Controllers</b>	<b>Heat-up Time</b>	<b>Tank Capacity</b>		
	1.5 min	1.3 liter		
<b>Remote Controllers</b>	<b>Remote Control</b>	<b>Cable Length</b>	<b>Included/Optional</b>	
	FC-M	15 ft (462 cm)	Included	
	FC-T	15 ft (462 cm)	Optional	
	FC-W	N/A	Optional	
<b>Fog Production</b>	<b>Output</b>	<b>Fluid Consumption</b>	<b>Approved Chauvet Fluids</b>	
	4,000 cfm	11 ml/min	FJU/FJQ, HDF	
<b>Thermal</b>	<b>Max. External Temperature</b>	<b>Cooling System</b>	<b>Indoor/Outdoor</b>	
	104° F (40° C)	Convection	Indoor only	
<b>Ordering</b>				
<b>Product</b>	<b>Product Name</b>	<b>Item Code</b>	<b>Item Number</b>	
	Hurricane 901 (120 V)	09070324	H901	
	Hurricane 901 (230 V)	09070325	220VH901	
<b>Optional Remotes</b>	<b>Product Name</b>	<b>Item Code</b>	<b>Item Number</b>	
	Fogger Timer Remote	05080150	FC-T	
	Fogger Wireless Remote	05080151	FC-W	
<b>Fog Fluid</b>	<b>Product Name</b>	<b>Item Code</b>	<b>Item Number</b>	
	High Density Fog Fluid	14070163	HDF	
	Fog Juice - Quart	14070152	FJQ	
	Fog Juice - Gallon	14070153	FJU	
	Fog Juice – 5 liter (UK ONLY)	99070154	FJU5L	

