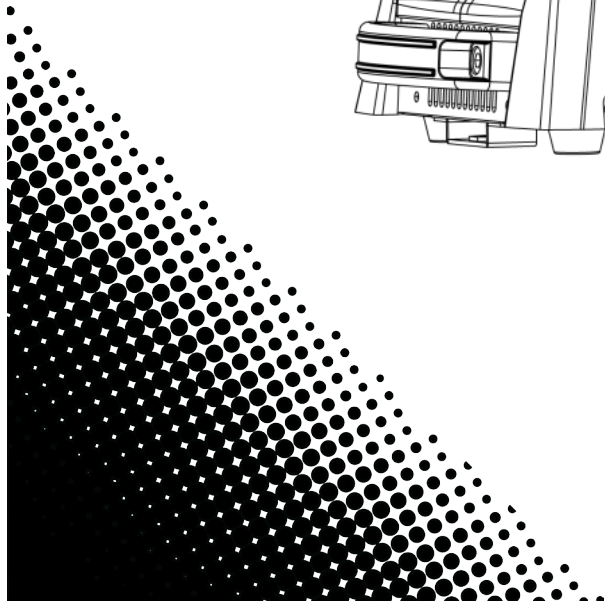
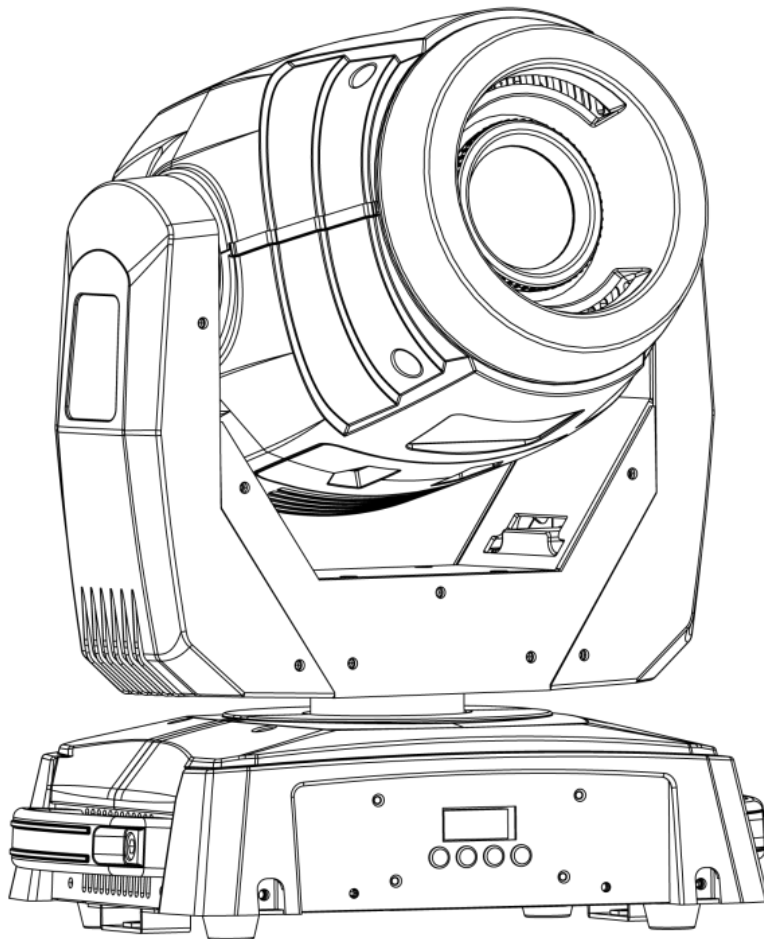


# INTIMIDATOR™

## SPOT LED 350

### User Manual



**CHAUVET**®  
*Value • Innovation • Performance*  
It's **Green** Thinking.™

---

# TABLE OF CONTENTS

<b>1. Before You Begin</b> .....	<b>3</b>
What Is Included .....	3
Unpacking Instructions .....	3
Claims .....	3
Text Conventions .....	3
Symbols .....	3
Document Information .....	3
Product at a Glance.....	4
Safety Notes .....	4
<b>2. Introduction</b> .....	<b>5</b>
Product Overview .....	5
Product Dimensions .....	6
<b>3. Setup</b> .....	<b>7</b>
AC Power .....	7
Fuse Replacement.....	7
Power Linking .....	8
Mounting .....	9
Orientation .....	9
Rigging .....	9
<b>4. Operation</b> .....	<b>10</b>
Control Panel Operation .....	10
Menu Map .....	10
Configuration (DMX).....	11
Starting Address .....	11
DMX Personalities.....	11
DMX Channel Assignments and Values.....	12
14-CH.....	12
DMX Channel Assignments and Values (cont.).....	13
8-CH.....	14
Configuration (Standalone).....	15
Sound-Active Mode.....	15
Automatic Mode.....	15
Manual Pan/Tilt Operation.....	15
Pan/Tilt Angle Restrict.....	15
Display .....	15
Master/Slave Mode .....	16
Reset Software.....	16
Password Channel .....	16
Changing Gobos .....	17
<b>5. Technical Information</b> .....	<b>18</b>
Product Maintenance .....	18
Returns .....	19
Contact Us .....	19
<b>6. Technical Specifications</b> .....	<b>20</b>

# 1. BEFORE YOU BEGIN

## What Is Included

- Intimidator™ Spot LED 350
- Power Cord
- Warranty Card
- Quick Reference Guide

## Unpacking Instructions

Carefully unpack the product immediately and check the container to make sure all the parts are in the package and are in good condition.

## Claims




If the box or the contents (the product and included accessories) appear damaged from shipping, or show signs of mishandling, notify the carrier immediately, not CHAUVET®. Failure to report damage to the carrier immediately may invalidate your claim. In addition, keep the box and contents for inspection.

For other issues, such as missing components or parts, damage not related to shipping, or concealed damage, file a claim with CHAUVET® within 7 days of delivery.

## Text Conventions

Convention	Meaning
1~512	A range of values
50/60	A set of values of which only one can be chosen
<b>Settings</b>	A menu option not to be modified
<b>Menu &gt; Settings</b>	A sequence of menu options to be followed
<b>&lt;ENTER&gt;</b>	A key to be pressed on the product's control panel
<b>ON</b>	A value to be entered or selected

## Symbols

Symbol	Meaning
	Critical installation, configuration, or operation information. Not following these instructions may make the product not work, cause damage to the product, or cause harm to the operator.
	Important installation or configuration information. The product may not function correctly if this information is not used.
	Useful information.

## Document Information

The information and specifications contained in this document are subject to change without notice. CHAUVET® assumes no responsibility or liability for any errors or omissions that may appear in this manual. CHAUVET® reserves the right to update the existing document or to create a new document to correct any errors or omissions.

You can download the latest version of this document from [www.chauvetlighting.com](http://www.chauvetlighting.com).

© Copyright 2012 CHAUVET®. All rights reserved.

Electronically published by CHAUVET® in the United States of America

Author	Date	Editor	Date
A. Diaz	11/17/11	S. Diaz	9/12/12

## Product at a Glance

Use on Dimmer	⊘	Auto Programs	✓
Outdoor Use	⊘	Auto-ranging Power Supply	✓
Sound Activated	✓	Replaceable Fuse	✓
DMX	✓	User Serviceable	⊘
Master/Slave	✓	Duty Cycle	⊘

## Safety Notes

These notes include important information about the mounting, usage, and maintenance of this product; read before using the product.



- This product is not intended for permanent installation.
- Always connect the product to a grounded circuit to avoid the risk of electrocution.
- Always disconnect the product from power before cleaning or replacing the fuse.
- Avoid direct eye exposure to the light source while the product is on.
- Make sure the power cord is not crimped or damaged.
- Never disconnect the product from power by pulling or tugging on the cord.
- If mounting the product overhead, always secure to a fastening device using a safety cable.
- Make sure there are no flammable materials close to the product when operating.
- Do not touch the product's housing when operating because it may be very hot.



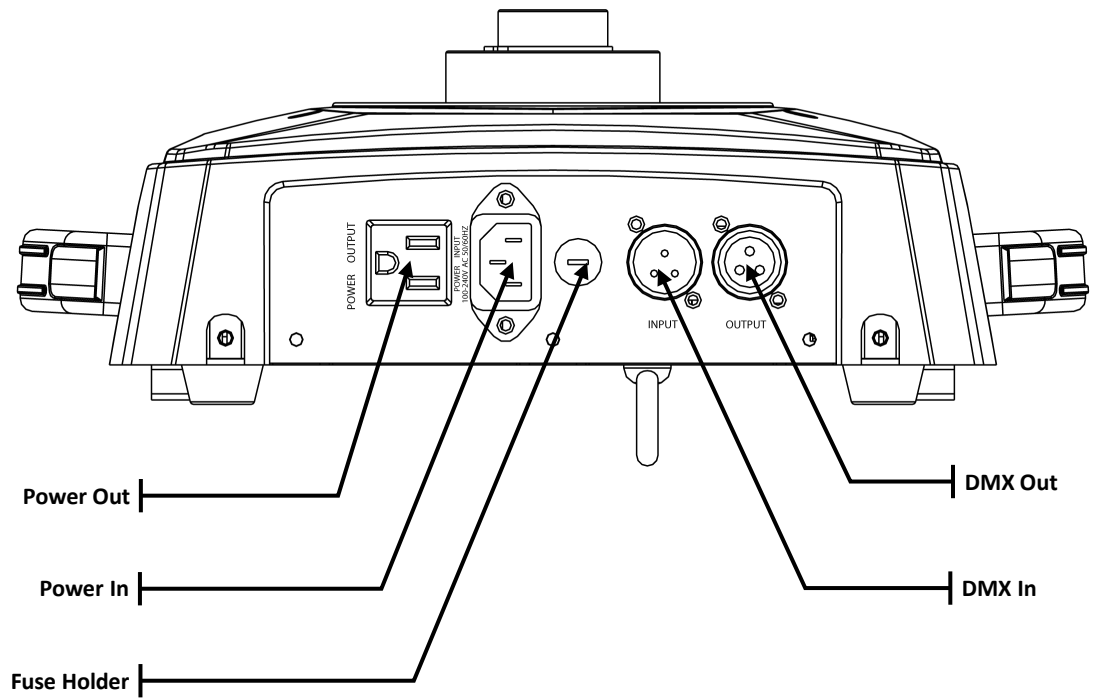
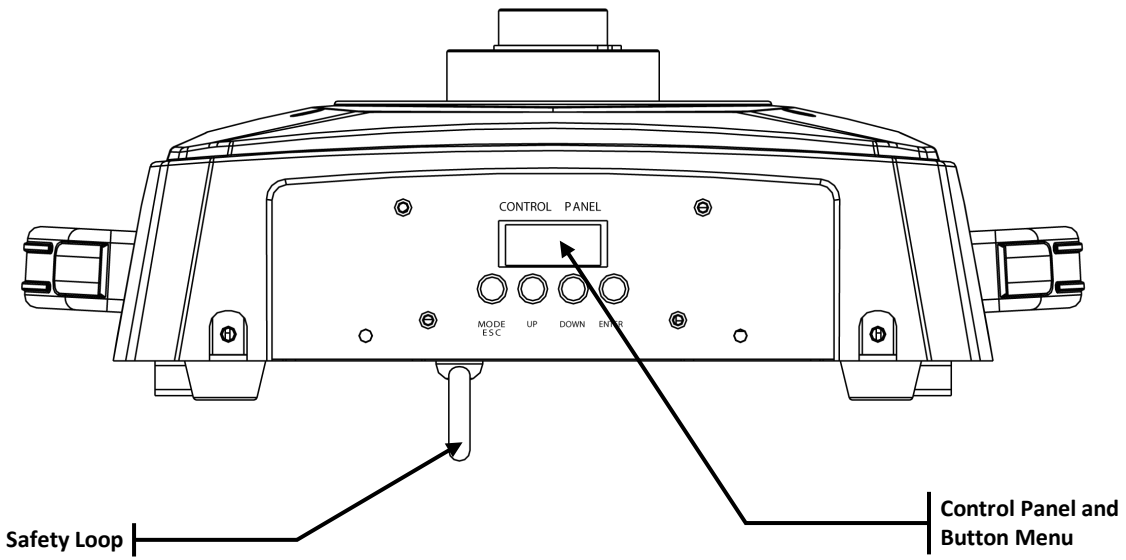
- Always make sure that the voltage of the outlet to which you are connecting the product is within the range stated on the decal or rear panel of the product.
- The product is for indoor use only! (IP20) To prevent risk of fire or shock, do not expose the product to rain or moisture.
- Always install the product in a location with adequate ventilation, at least 20 in (50 cm) from adjacent surfaces.
- Be sure that no ventilation slots on the product's housing are blocked.
- Never connect the product to a dimmer.
- Make sure to replace the fuse with another of the same type and rating.
- Never carry the product from the power cord or any moving part. Always use the hanging/mounting bracket or the handles.
- The maximum ambient temperature (Ta) is 104° F (40° C). Do not operate the product at higher temperatures.
- In the event of a serious operating problem, stop using the product immediately.
- Never try to repair the product. Repairs carried out by unskilled people can lead to damage or malfunction. Please contact the nearest authorized technical assistance center.



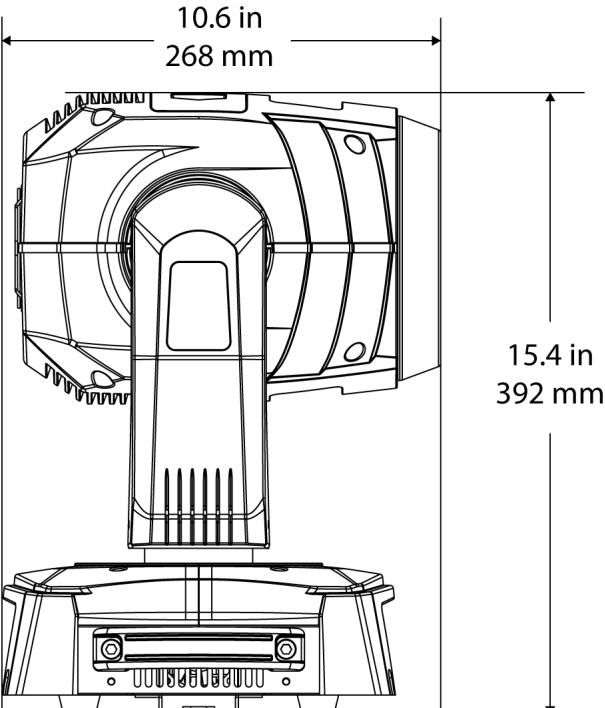
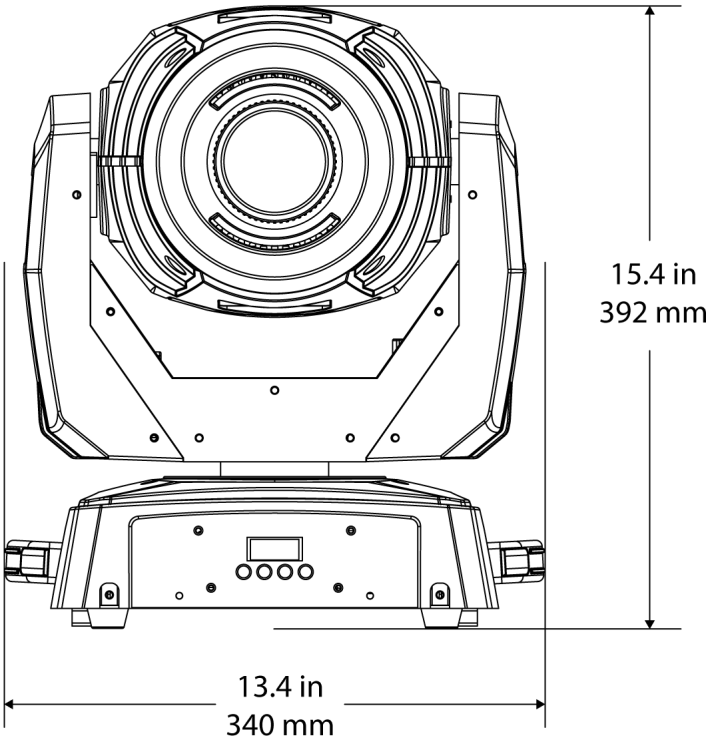
- Keep this User Manual for future use. If you sell the product to another user, be sure to give this document to the next owner.

# 2. INTRODUCTION

## Product Overview



# Product Dimensions



---

## 3. SETUP

**AC Power** The Intimidator™ Spot LED 350 has an auto-ranging power supply and it can work with an input voltage range of 100~240 VAC, 50/60 Hz.

To determine the product's power requirements (circuit breaker, power outlet, and wiring), use the current value listed on the label affixed to the product's back panel, or refer to the product's specifications chart. The listed current rating indicates the product's average current draw under normal conditions.



**Always connect the product to a protected circuit (circuit breaker or fuse). Make sure the product has an appropriate electrical ground to avoid the risk of electrocution or fire.**



**Never connect the product to a rheostat (variable resistor) or dimmer circuit, even if the rheostat or dimmer channel serves only as a 0 to 100% switch.**

### Fuse Replacement



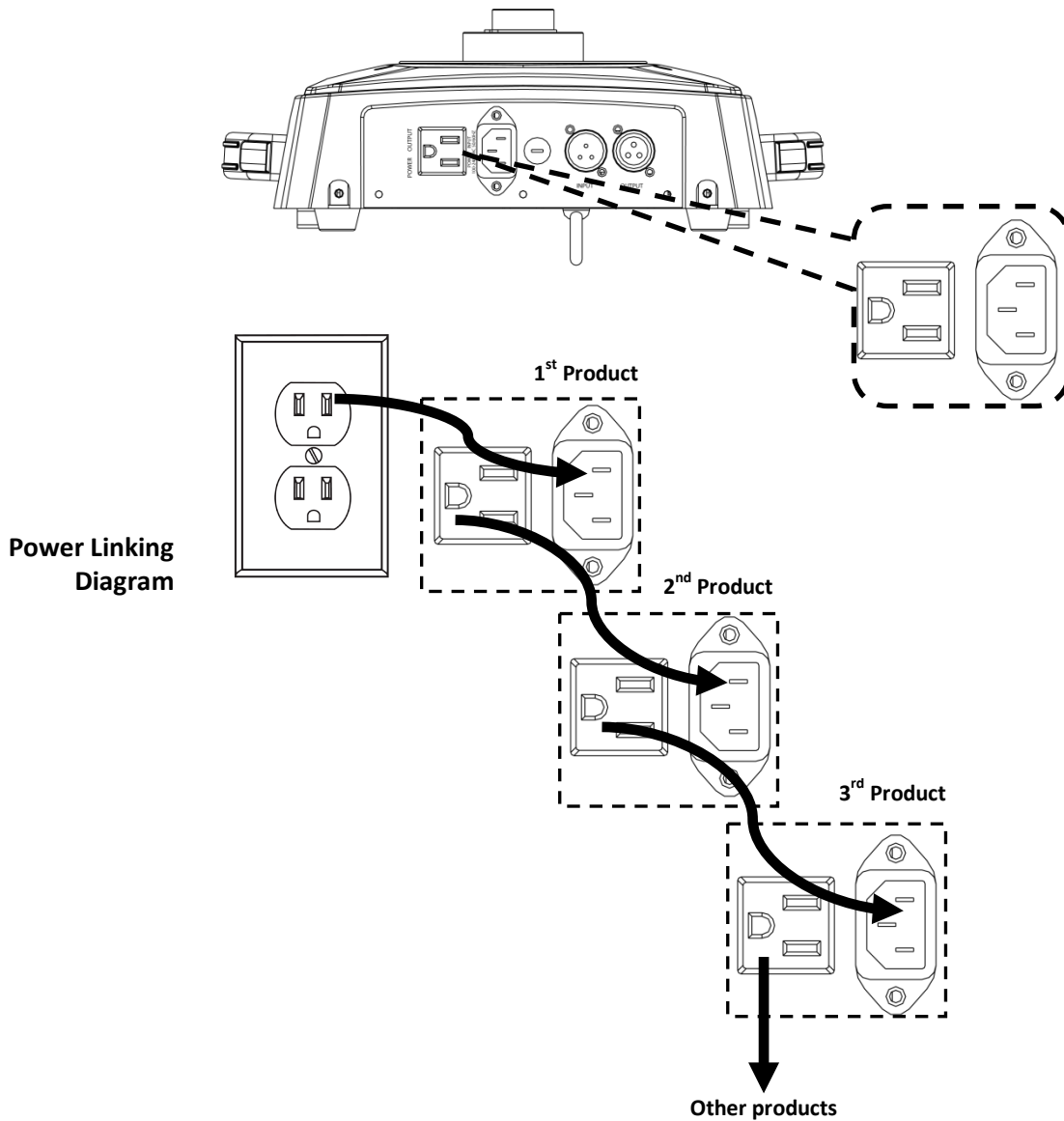
**Disconnect the product from power before replacing the fuse.**

1. Disconnect this product from power.
2. Using a Phillips #2-head screwdriver, unscrew the fuse holder cap from the housing.
3. Remove the blown fuse.
4. Replace with a good fuse of the same type and rating.
5. Screw the fuse holder cap back in place and reconnect power.



**Always replace a blown fuse with one of the same type and rating.**

**Power Linking** The product provides power linking via the IEC outlet located in the back of the unit.



You can power link up to 3 Intimidator™ Spot LED 350 units on 120 VAC or up to 7 Intimidator™ Spot LED 350 units on 230 VAC.



The power linking diagram shown above corresponds to the North American version of the product **ONLY!** If using the product in other markets, you must consult with the local CHAUVET® distributor as power linking connectors and requirements may differ in your country or region.



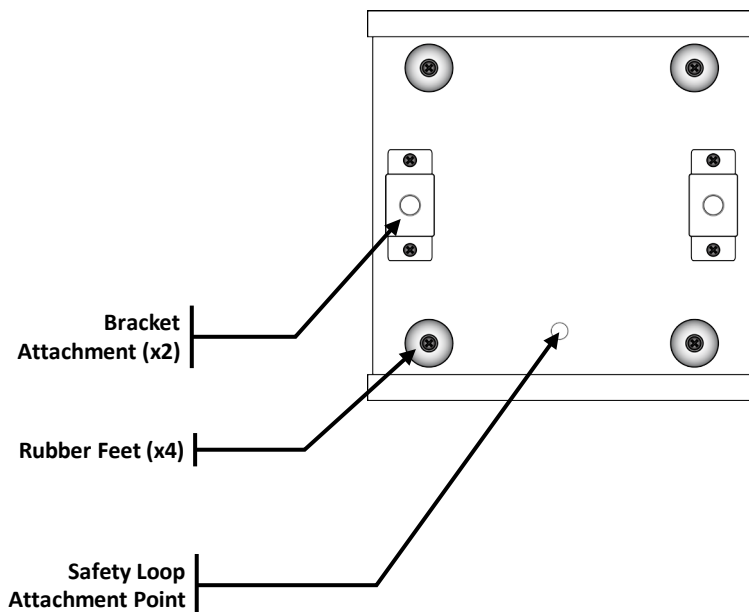
---

**Mounting** Before mounting the product, read and follow the safety recommendations indicated in the Safety Notes.

**Orientation** The Intimidator™ Spot LED 350 may be mounted in any position; however, make sure adequate ventilation is provided around the product.

- Rigging**
- Before deciding on a location for the product, always make sure there is easy access to the product for maintenance and programming purposes.
  - Make sure that the structure or surface onto which you are mounting the product can support the product's weight. See the [Technical Specifications](#) for weight information.
  - When mounting the product overhead, always use a safety cable. Mount the product securely to a rigging point, whether an elevated platform or a truss.
  - When rigging the product onto a truss, you should use a mounting clamp of appropriate weight capacity.
  - When power linking multiple products, you must always consider the length of the power linking cable and mount the products close enough for the cable to reach.
  - The rubber feet also serve as floor supports. When mounting the product on the floor, make sure that the product and cables are away from people and vehicles.

**Mounting Diagram**



## 4. OPERATION

**Control Panel Operation** To access the control panel functions, use the four buttons located underneath the display.

Button	Function
<MODE/ESC>	Press to find an operation mode or to back out of the current menu option
<UP>	Press to scroll up the list of options or to find a higher value
<DOWN>	Press to scroll down the list of options or to find a lower value
<ENTER>	Press to activate a menu option or a selected value

### Menu Map

Mode	Programming Steps		Description
DMX Mode	001~512		Sets the DMX starting address
Operation Modes	SLAv (Son)		Slave operating mode
	NASL (SLoU)		Automatic mode, Slow program
	NAFA (FASt)		Automatic mode, Fast program
	NStS (SrUn)		Sound-Active mode
Pan	Normal Pan	PAn	Normal Pan operation
	Inverse Pan	r PAn	Inverse Pan operation
Tilt	Normal Tilt	tiL	Normal Tilt operation
	Inverse Tilt	r tiL	Inverse Tilt operation
Display	Normal Display	diS	Change the LCD display text position
	Inverse Display	r diS	
Channel Mode	14-Channel Mode	14CH	Selects the DMX personality
	8-Channel Mode	8CH	
Manual Pan Restrict	Pan 540	PA54	Select Pan angle restrictions
	Pan 360	PA36	
	Pan 180	PA18	
Manual Tilt Restrict	Tilt 270	Ti27	Select Tilt angle restrictions
	Tilt 180	Ti18	
	Tilt 90	Ti 9	
Reset	rESt		Resets fixture
Load	LoAd		Load factory defaults

---

## Configuration (DMX)

Set the product in DMX mode to control with a DMX controller.

1. Connect the product to a suitable power outlet.
2. Turn the product on.
3. Connect a DMX cable from the DMX output of the DMX controller to the DMX input socket on the product.

## Starting Address

When selecting a starting DMX address, always consider the number of DMX channels the selected DMX mode uses. If you choose a starting address that is too high, you could restrict the access to some of the product's channels.

The Intimidator™ Spot LED 350 uses up to 14 DMX channels in its 14-channel DMX mode, which defines the highest configurable address to **499**.

If you are not familiar with the DMX protocol, download the DMX Primer from [www.chauvetlighting.com](http://www.chauvetlighting.com).

To select the starting address, do the following:

1. Press **<MODE/ESC>** repeatedly until **001** shows on the display.
2. Press **<ENTER>**.
3. Use **<UP>** or **<DOWN>** to select the starting address.
4. Press **<ENTER>**.



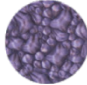





## DMX Personalities

The Intimidator™ Spot LED 350 has two DMX personalities, an 8-channel personality and a 14-channel personality.

To choose which DMX personality to use, follow the steps below:

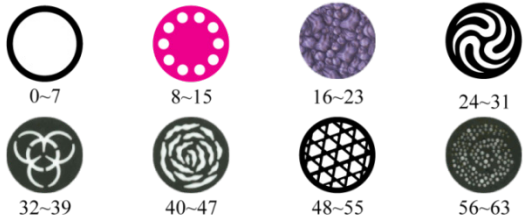
1. Press **<MODE/ESC>** repeatedly until either **14CH** (to choose the 14-channel personality) or **8CH** (to choose the 8-channel personality) shows on the display.
2. Press **<ENTER>**.

## DMX Channel Assignments and Values

14-CH	Channel	Function	Value	Setting
	1	Pan	000 ⇔ 255	0~540°
	2	Fine Pan	000 ⇔ 255	Fine control of panning
	3	Tilt	000 ⇔ 255	0~270°
	4	Fine Tilt	000 ⇔ 255	Fine control of tilting
	5	Speed	000 ⇔ 255	Pan/Tilt speed (fast to slow)
	6	Color Wheel	000 ⇔ 006	White
			007 ⇔ 013	Yellow
			014 ⇔ 020	Pink
			021 ⇔ 027	Green
			028 ⇔ 034	Red
			035 ⇔ 041	Light Blue
			042 ⇔ 048	Kelly Green
			049 ⇔ 055	Orange
			056 ⇔ 063	Dark Blue
			064 ⇔ 070	White + Yellow
			071 ⇔ 077	Yellow + Pink
			078 ⇔ 084	Pink + Green
			085 ⇔ 091	Green + Red
			092 ⇔ 098	Red + Light Blue
			099 ⇔ 105	Light Blue + Kelly Green
			106 ⇔ 112	Kelly Green + Orange
			113 ⇔ 119	Orange + Dark Blue
			120 ⇔ 127	Dark Blue + White
	128 ⇔ 191	Color cycling rainbow with increasing speed		
	192 ⇔ 255	Reverse color cycling rainbow with increasing speed		
	7	Gobo Wheel	 0~7  8~15  16~23  24~31	
			 32~39  40~47  48~55  56~63	
			064 ⇔ 071	Gobo 7 shake, from slow to fast
			072 ⇔ 079	Gobo 6 shake, from slow to fast
			080 ⇔ 087	Gobo 5 shake, from slow to fast
			088 ⇔ 095	Gobo 4 shake, from slow to fast
			096 ⇔ 103	Gobo 3 shake, from slow to fast
			104 ⇔ 111	Gobo 2 shake, from slow to fast
			112 ⇔ 119	Gobo 1 shake, from slow to fast
			120 ⇔ 127	Open
			128 ⇔ 191	Cycle effect with increasing speed
			192 ⇔ 255	Reverse cycle effect with increasing speed

## DMX Channel Assignments and Values (cont.)

14-CH (cont.)	Channel	Function	Value	Setting
8	Gobo Rotation	000 ⇔ 063	Indexing	
		064 ⇔ 147	Rotation effect with increasing speed	
		148 ⇔ 231	Reverse rotation effect with increasing speed	
		232 ⇔ 255	Gobo bounce	
9	Prism	000 ⇔ 007	Open	
		008 ⇔ 012	Prism on	
		013 ⇔ 130	Prism rotation with increasing speed	
		131 ⇔ 247	Reverse prism rotation with increasing speed	
248 ⇔ 255	Prism effect			
10	Focus	000 ⇔ 255	Motor focus, zoom out to zoom in	
11	Dimmer	000 ⇔ 255	0~100%	
12	Shutter	000 ⇔ 003	Closed	
		004 ⇔ 007	Open	
		008 ⇔ 076	Strobe effect with increasing speed	
		077 ⇔ 145	Pulse strobe	
		146 ⇔ 215	Random shutter	
216 ⇔ 255	Open			
13	Control Functions	000 ⇔ 007	No function	
		008 ⇔ 015	Blackout while pan/tilt moving	
		016 ⇔ 023	Blackout while moving color wheel	
		024 ⇔ 031	Blackout while moving gobo wheel	
		032 ⇔ 039	Disable blackout while pan/tilt/moving color wheel	
		040 ⇔ 047	Disable blackout while pan/tilt/moving gobo wheel	
		048 ⇔ 055	Disable blackout while moving all options	
		056 ⇔ 095	No function	
		096 ⇔ 103	Reset pan	
		104 ⇔ 111	Reset tilt	
		112 ⇔ 119	Reset color wheel	
		120 ⇔ 127	Reset gobo wheel	
		128 ⇔ 135	Reset gobo rotation	
		136 ⇔ 143	Reset prism	
144 ⇔ 151	Reset focus			
152 ⇔ 159	Reset all channels			
160 ⇔ 255	No function			
14	Movement Macros	000 ⇔ 007	No function	
		008 ⇔ 023	Movement macro 1	
		024 ⇔ 039	Movement macro 2	
		040 ⇔ 055	Movement macro 3	
		056 ⇔ 071	Movement macro 4	
		072 ⇔ 087	Movement macro 5	
		088 ⇔ 103	Movement macro 6	
		104 ⇔ 119	Movement macro 7	
		120 ⇔ 135	Movement macro 8	
		136 ⇔ 151	Sound-controlled program 1	
		152 ⇔ 167	Sound-controlled program 2	
		168 ⇔ 183	Sound-controlled program 3	
		184 ⇔ 199	Sound-controlled program 4	
		200 ⇔ 215	Sound-controlled program 5	
216 ⇔ 231	Sound-controlled program 6			
232 ⇔ 247	Sound-controlled program 7			
248 ⇔ 255	Sound-controlled program 8			

8-CH	Channel	Function	Value	Setting		
	1	Pan	000 ⇔ 255	0~540°		
	2	Tilt	000 ⇔ 255	0~270°		
	3	Color Wheel	000 ⇔ 006	White		
			007 ⇔ 013	Yellow		
			014 ⇔ 020	Pink		
			021 ⇔ 027	Green		
			028 ⇔ 034	Red		
			035 ⇔ 041	Light Blue		
			042 ⇔ 048	Kelly Green		
			049 ⇔ 055	Orange		
			056 ⇔ 063	Dark Blue		
			064 ⇔ 070	White + Yellow		
			071 ⇔ 077	Yellow + Pink		
			078 ⇔ 084	Pink + Green		
			085 ⇔ 091	Green + Red		
			092 ⇔ 098	Red + Light Blue		
			099 ⇔ 105	Light Blue + Kelly Green		
			106 ⇔ 112	Kelly Green + Orange		
			113 ⇔ 119	Orange + Dark Blue		
	120 ⇔ 127	Dark Blue + White				
	128 ⇔ 191	Color cycling rainbow with increasing speed				
	192 ⇔ 255	Reverse color cycling with increasing speed				
	4	Gobo Wheel				
			064 ⇔ 071	Gobo 7 shake, from slow to fast		
			072 ⇔ 079	Gobo 6 shake, from slow to fast		
			080 ⇔ 087	Gobo 5 shake, from slow to fast		
			088 ⇔ 095	Gobo 4 shake, from slow to fast		
			096 ⇔ 103	Gobo 3 shake, from slow to fast		
			104 ⇔ 111	Gobo 2 shake, from slow to fast		
			112 ⇔ 119	Gobo 1 shake, from slow to fast		
			120 ⇔ 127	Open		
			128 ⇔ 191	Cycle effect with increasing speed		
			192 ⇔ 255	Reverse cycle effect with increasing speed		
			5	Gobo Rotation	000 ⇔ 063	Indexing
					064 ⇔ 147	Rotation effect with increasing speed
					148 ⇔ 231	Reverse rotation effect with increasing speed
	232 ⇔ 255	Gobo bounce				
	6	Prism	000 ⇔ 007	Open		
			008 ⇔ 012	Prism on		
			013 ⇔ 130	Prism rotation with increasing speed		
			131 ⇔ 247	Reverse prism rotation with increasing speed		
			248 ⇔ 255	Prism effect		
	7	Focus	000 ⇔ 255	Motor focus, zoom out to zoom in		
	8	Shutter	000 ⇔ 003	Closed		
			004 ⇔ 007	Open		
			008 ⇔ 076	Strobe effect with increasing speed		
			077 ⇔ 145	Pulse strobe		
			146 ⇔ 215	Random shutter		
			216 ⇔ 255	Open		

---

## Configuration (Standalone)

Set the product in one of the standalone modes to control without a DMX controller.

1. Connect the product to a suitable power outlet.
2. Turn the product on.



**Never connect a product that is operating in any standalone mode (either Automatic or Sound) to a DMX string connected to a DMX controller. Products in standalone mode may transmit DMX signals that could interfere with the DMX signals from the controller.**

## Sound-Active Mode

To enable the Sound-Active mode, do the following:

1. Press **<MODE/ESC>** repeatedly until one of the following shows on the display: **NASi, NAFA, NStS, SLAv**
2. Press **<UP>** or **<DOWN>** to select **NStS**.
3. Press **<ENTER>**.
4. Turn the music on and adjust the microphone sensitivity knob until the product starts responding to the beat of the music.



**The product will only respond to low frequencies of music (bass and drums).**

## Automatic Mode

To enable the Automatic Mode:

1. Press **<MODE/ESC>** repeatedly until one of the following shows on the display: **NASi, NAFA, NStS, SLAv**
2. Press **<UP>** or **<DOWN>** to select **NASi** (for a slow light show) or **NAFA** (for a fast light show).
3. Press **<ENTER>**.

## Manual Pan/Tilt Operation

To select whether you want the Intimidator™ Spot LED 350 to operate with normal panning or inverted panning, do the following:

1. Press **<MODE/ESC>** repeatedly until **PAn** shows on the display.
2. Press **<UP>** or **<DOWN>** to select normal pan operation (**PAn**) or inverse pan operation (**r PAn**).
3. Press **<ENTER>**.

To select whether you want the Intimidator™ Spot LED 350 to operate with normal tilting or inverted tilting, do the following:

1. Press **<MODE/ESC>** repeatedly until **tiL** shows on the display.
2. Press **<UP>** or **<DOWN>** to select normal pan operation (**tiL**) or inverse pan operation (**r tiL**).
3. Press **<ENTER>**.

## Pan/Tilt Angle Restrict

You are able to restrict the pan and tilt angles on the Intimidator™ Spot LED 350 to achieve the effect you like.

To select which pan angle to use, do the following:

1. Press **<MODE/ESC>** repeatedly until **PA54** shows on the display.
2. Press **<UP>** or **<DOWN>** to select either 540° (**PA54**), 360° (**PA36**) or 180° (**PA18**).
3. Press **<ENTER>**.

To select which tilt angle to use, do the following:

1. Press **<MODE/ESC>** repeatedly until **Ti27** shows on the display.
2. Press **<UP>** or **<DOWN>** to select either 270° (**Ti27**), 180° (**Ti18**) or 90° (**Ti 9**).
3. Press **<ENTER>**.

## Display

You are able to flip the LED display for easy readability in any mounting situation.

To select your display angle:

1. Press **<MODE/ESC>** repeatedly until **diS** shows on the display.
2. Press **<UP>** or **<DOWN>** to select normal display mode (**diS**) or inverse display mode (**r diS**).
3. Press **<ENTER>**.

## Master/Slave Mode

The Master/Slave mode allows a single Intimidator™ Spot LED 350 unit (the “master”) to control the actions of one or more Intimidator™ Spot LED 350 units (the “slaves”) without the need of a DMX controller. The master unit will be set to operate in either Automatic or Sound Active mode, while the slave units will be set to operate in Slave Mode. Once set and connected, the slave units will operate in unison with the master unit.

Configure the units as indicated below.

### Slave units:

1. Press **<MODE/ESC>** repeatedly until **SLAv** shows on the display.
2. Press **<ENTER>** to accept.
3. Set the DMX address to **001**.
4. Connect the DMX input of the first slave unit to the DMX output of the master unit.
5. Connect the DMX input of the subsequent slave units to the DMX output of the previous slave unit.
6. Finish setting and connecting all the slave units.

### Master unit:

1. Set the master unit to operate in either Automatic or Sound mode.
2. Make the master unit the first unit in the DMX daisy chain.



- **Configure all the slave units before connecting the master unit to the DMX daisy chain.**
- **Never connect a DMX controller to a DMX string configured for Master/Slave operation because the controller may interfere with the signals from the master unit.**
- **Do not connect more than 31 slave units to the master unit.**

## Reset Software

To reset the software on the Intimidator™ Spot LED 350, do the following:

1. Press **<MODE/ESC>** repeatedly until **rEst** shows on the display.
2. Press **<ENTER>**. The product will reset all settings in the software to the default factory settings.

## Password Channel

The Intimidator™ Spot LED 350 contains a password-protected mode which allows you to calibrate and troubleshoot any small issues you may have during normal operation.

In order to access this mode, do the following:

1. Press and hold **<MODE/ESC>** for at least 10 seconds.
2. Use the **<UP>** and **<DOWN>** buttons to enter the password: **2323**.
3. Press **<ENTER>**.

In this mode there are several options for adjustment:

Parameter	Programming Steps	Description
<b>Pan Adjust</b>	<b>P128</b>	Manually adjust the pan angle
<b>Tilt Adjust</b>	<b>t128</b>	Manually adjust the tilt angle
<b>Gobo Wheel Adjust</b>	<b>G128</b>	Manually adjust the gobo wheel
<b>Color Wheel Adjust</b>	<b>C128</b>	Manually adjust the color wheel
<b>Focus Adjust</b>	<b>F128</b>	Manually adjust the focus
<b>Prism Adjust</b>	<b>L000</b>	Manually adjust the prism
<b>Lamp Brightness Adjust</b>	<b>d000</b>	Manually adjust the starting brightness of the lamp

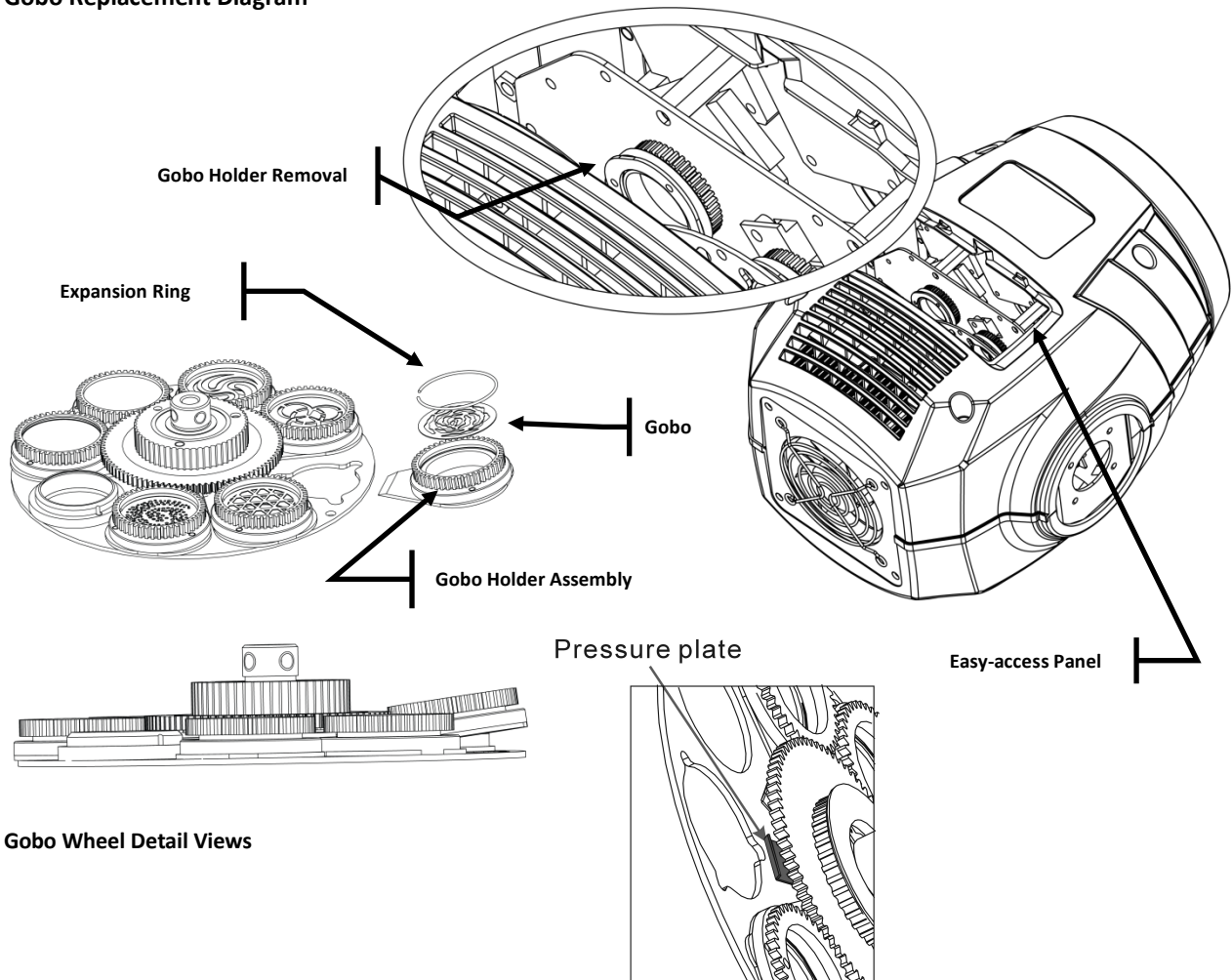


## Changing Gobos

To change the gobos in the Intimidator™ Spot LED 350, do not remove the gobo wheel. Simply:

1. Turn off and disconnect product from power outlet.
2. Place the product on a flat, level surface with the front facing up.
3. Access the gobo plate by removing the cover on the moving head. By hand, gently pry up the right side, then push right with the indented handles. **NOTE: If you expose the driver board, you are on the wrong side of the head. Replace the cover immediately and remove the cover on the opposite side of the moving head.**
4. Rotate the gobo wheel until the gobo that needs replacing is accessible.
5. Separate the gobo holder assembly away from the gobo wheel by pushing it forward and up. Be careful not to push the gobo out of the gobo plate.
6. Extract the gobo holder by pulling it backwards out of the product.
7. On a flat surface, remove the expansion ring that holds the gobo in place and remove the gobo from the gobo plate.
8. Insert a new gobo and hold it in place with the expansion ring.
9. To re-insert the new gobos, slide the tip of the gobo holder under the pressure plate near the center of the gobo wheel.
10. Push the gobo holder assembly inwards. DO NOT force the gobo holder into the gobo wheel slot. Slightly move the holder from side-to-side if needed to get it to seat properly. If correctly installed, the bottom of the holder will be flush with the gobo wheel.
11. Push cover back into position.

### Gobo Replacement Diagram



---

## 5. TECHNICAL INFORMATION

### **Product Maintenance**

Dust build up reduces light output performance and can cause overheating. This can lead to reduction of the light source's life. To maintain optimum performance and minimize wear, you should clean your lighting products at least twice a month. However, be aware that usage and environmental conditions could be contributing factors to increase the cleaning frequency.

To clean the product, follow the instructions below:

- Unplug the product from power.
- Wait until the product is cold.
- Use a vacuum (or dry compressed air) and a soft brush to remove dust collected on the external surface/vents.
- Clean all glass/transparent surfaces with a mild soap solution, ammonia-free glass cleaner, or isopropyl alcohol.
- Apply the solution directly to a soft, lint free cotton cloth or a lens cleaning tissue.
- Softly drag any dirt or grime to the outside of the glass/transparent surface.
- Gently polish the glass/transparent surfaces until they are free of haze and lint.



**Always dry the glass/transparent surfaces carefully after cleaning them.**

---

To return a product or request support:

- In the U.S., contact CHAUVET® World Headquarters (see below).
- In the UK or Ireland, contact CHAUVET® Europe Ltd. (see below).
- In any other country, DO NOT contact CHAUVET®. Contact your distributor. See [www.chauvetlighting.com](http://www.chauvetlighting.com) for distributors outside the U.S., United Kingdom, or Ireland.



**Outside the U.S., United Kingdom, or Ireland, contact your distributor and follow their instructions on how to return CHAUVET® products to them. Visit our website for contact details.**

## Returns

Call the corresponding CHAUVET® Technical Support office and request a Return Merchandise Authorization (RMA) number before shipping the product. Be prepared to provide the model number, serial number, and a brief description of the cause for the return.

You must send the merchandise prepaid, in its original box, and with its original packing and accessories. CHAUVET® will not issue call tags.

Clearly label the package with the RMA number. CHAUVET® will refuse any product returned without an RMA number.



**Write the RMA number on a properly affixed label. DO NOT write the RMA number directly on the box.**

Before sending the product, clearly write the following information on a piece of paper and place it inside the box:

- Your name
- Your address
- Your phone number
- The RMA number
- A brief description of the problem

Be sure to pack the product properly. Any shipping damage resulting from inadequate packaging will be your responsibility. FedEx packing or double-boxing are recommended.



**CHAUVET® reserves the right to use its own discretion to repair or replace returned product(s).**

## Contact Us

### World Headquarters CHAUVET®

#### General Information

Address: 5200 NW 108th Avenue  
Sunrise, FL 33351  
Voice: (954) 577-4455  
Fax: (954) 929-5560  
Toll free: (800) 762-1084

#### Technical Support

Voice: (954) 577-4455 (Press 4)  
Fax: (954) 756-8015  
Email: [tech@chauvetlighting.com](mailto:tech@chauvetlighting.com)

#### World Wide Web

[www.chauvetlighting.com](http://www.chauvetlighting.com)

### United Kingdom & Ireland CHAUVET® Europe Ltd.

#### General Information

Address: Unit 1C  
Brookhill Road Industrial Estate  
Pinxton, Nottingham, UK  
NG16 6NT  
Voice: +44 (0)1773 511115  
Fax: +44 (0)1773 511110

#### Technical Support

Email: [uktech@chauvetlighting.com](mailto:uktech@chauvetlighting.com)

#### World Wide Web

[www.chauvetlighting.co.uk](http://www.chauvetlighting.co.uk)

## 6. TECHNICAL SPECIFICATIONS

<b>Dimensions and Weight</b>	<b>Length</b>	<b>Width</b>	<b>Height</b>	<b>Weight</b>
	10.6 in (268 mm)	13.4 in (340 mm)	15.4 in (392 mm)	22.7 lbs (10.3 kg)
<b>Note:</b> Dimensions in inches rounded to the nearest decimal digit.				
<b>Power</b>	<b>Power Supply Type</b>	<b>Range</b>	<b>Voltage Selection</b>	
	Switching (internal)	100~240 V, 50/60 Hz	Auto-ranging	
	<b>Parameter</b>	<b>120 V, 60 Hz</b>	<b>230 V, 50 Hz</b>	
	Consumption	272 W	285 W	
	Operating	2.2 A	1.2 A	
	Power linking units	3 units	7 units	
	Fuse	F 3 A, 250 V	F 3 A, 250 V	
<b>Light Source</b>	<b>Power I/O</b>	<b>US/Worldwide</b>	<b>UK/Europe</b>	
	Power input connector	IEC	IEC	
	Power output connector	Edison	IEC	
	Power Cord plug	Edison (US)	Local plug	
<b>Photo Optic</b>	<b>Type</b>	<b>Power</b>	<b>Lifespan</b>	
	LED	70 W (17 A)	50,000 hours	
<b>Thermal</b>	<b>Color</b>	<b>Quantity</b>	<b>Current</b>	
	White	1	350 mA	
	<b>Parameter</b>			
	Illuminance (12°)	9490 lx		
	Zoom angle	12-17°		
	Strobe Rate	0-20 Hz		
<b>DMX</b>	Pan & Tilt	540°	270°	
	Pan/Tilt Ranges	540°, 360°, 180° Pan	270°, 180°, 90° Tilt	
	Gobo Size	24 mm outside 20 mm image 1.1 mm thickness		
	<b>Maximum External Temp.</b>	<b>Cooling System</b>		
104° F (40° C)	Convection			
<b>Ordering</b>	<b>I/O Connectors</b>	<b>Connector Type</b>	<b>Channel Range</b>	
	3-pin XLR	Sockets	8, 14	
<b>Ordering</b>	<b>Product Name</b>	<b>Item Code</b>	<b>Item Number</b>	
	Intimidator™ Spot LED 350	08010463	INTSPOTLED350	