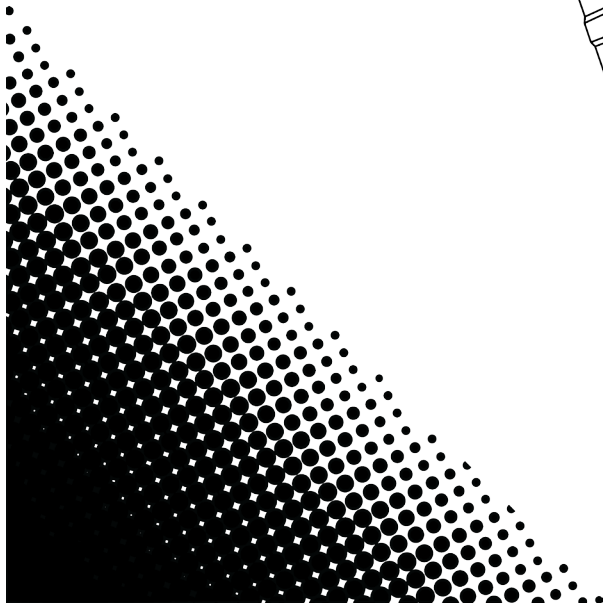
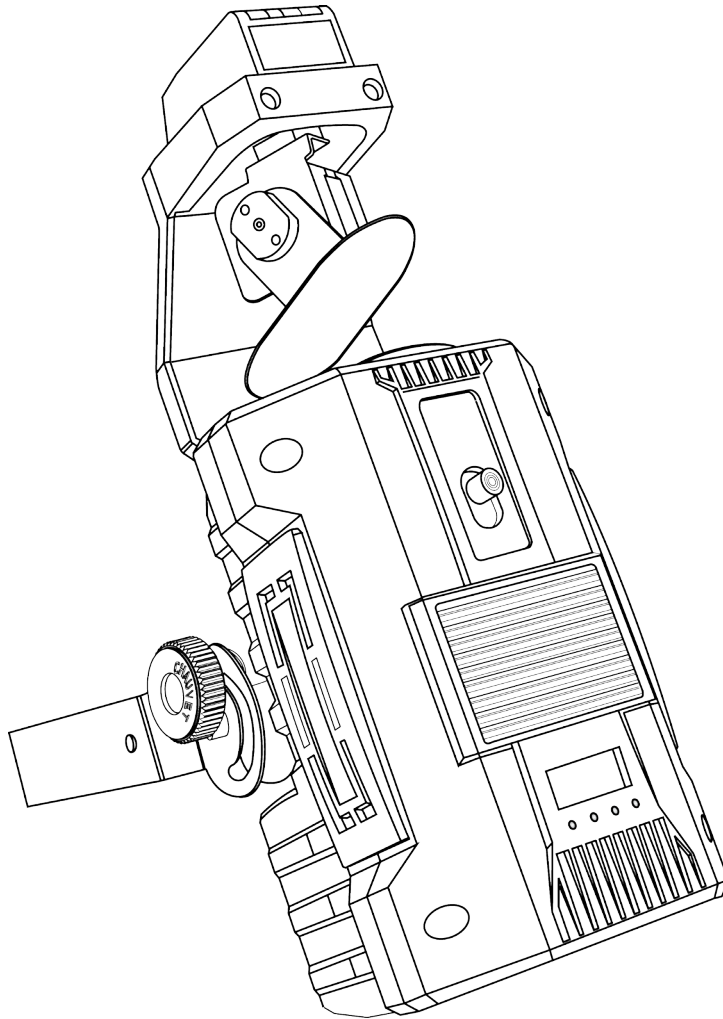


INTIMIDATOR™

SCAN LED 200

User Manual



CHAUVET®

Value • Innovation • Performance

It's Green Thinking

TABLE OF CONTENTS

1. Before You Begin	3
What Is Included	3
Unpacking Instructions.....	3
Text Conventions	3
Icons.....	3
Document Information.....	3
Product at a Glance	4
Safety Notes.....	4
2. Introduction	5
Product Overview.....	5
Product Dimensions	6
3. Setup	7
AC Power	7
Fuse Replacement.....	7
Power Linking.....	8
Mounting	9
Orientation	9
Rigging.....	9
4. Operation	10
Control Panel Operation.....	10
Menu Map	10
DMX Operation	11
Starting Address.....	11
Standalone Operation	12
Master/Slave Mode (Sound-Active, Auto Mode)	12
Automatic-Slow	12
Automatic-Fast.....	12
Sound-Active.....	12
Service Mode	13
Hidden Menu Map.....	13
DMX Channel Assignments and Values	14
8-Channel Mode.....	14
5-Channel Mode.....	16
5. Technical Information	17
General Maintenance.....	17
General Troubleshooting	18
Returns Procedure	19
Claims	19
Contact Information.....	19
6. Technical Specifications	20

1. BEFORE YOU BEGIN

What Is Included

- 1 x Intimidator™ Scan LED 200
- 1 x Mounting Bracket kit
- 1 x Power Cord
- 1 x Warranty Card
- 1 x User Manual

Unpacking Instructions




Immediately upon receiving this product, carefully unpack it and check the container in which you received it. Make sure that you have received all the parts indicated above and that they are all in good condition. If the material inside the container (this product and any other accessory included with it) appears damaged from shipping, or if the container shows signs of mishandling, notify the shipper immediately. In addition, retain the container and all the packing material for inspection.

See the *Claims* section in the “*Technical Information*” chapter.

Text Conventions

Convention	Meaning
<Menu>	A key to be pressed on the fixture’s control panel
1~512	A range of values
50/60	A set of values of which only one can be chosen
Settings	A menu option not to be modified (for example, showing the operating mode/current status)
Menu > Settings	A sequence of menu options to be followed
ON	A value to be entered or selected

Icons

Icon	Meaning
	This paragraph contains critical installation, configuration, or operation information. Failure to comply with this information may render the fixture partially or completely inoperative, cause damage to the fixture, or cause harm to the user.
	This paragraph contains important installation or configuration information. Failure to comply with this information may prevent the fixture from functioning correctly.
	This paragraph reminds you of useful, although not critical, information.

Document Information

The information and specifications contained in this document are subject to change without notice. CHAUVET® assumes no responsibility or liability for any errors or omissions that may appear in this manual.

© Copyright 2012 CHAUVET®. All rights reserved.

Printed in P.R.C.

Electronically published by CHAUVET® in the United States of America.

Author	Editor
A. Chiappone	R. Jones

Product at a Glance

Use on Dimmer	⊘	Auto Programs	✓
Outdoor Use	⊘	Auto-ranging Power Supply	✓
Sound Activated	✓	Replaceable Fuse	✓
DMX	✓	User Serviceable	⊘
Master/Slave	✓	Duty Cycle	⊘

Safety Notes

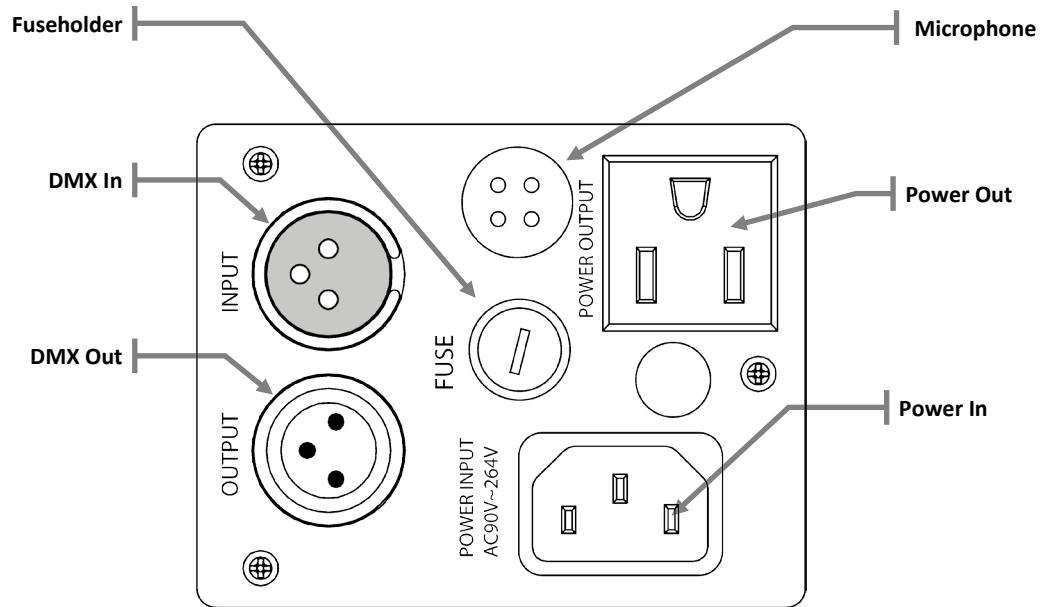


Please read the following notes carefully because they include important safety information about the installation, usage, and maintenance of this product.

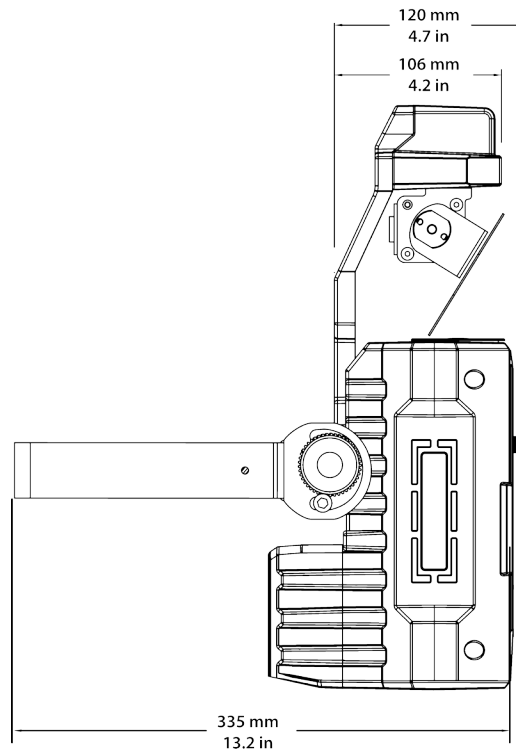
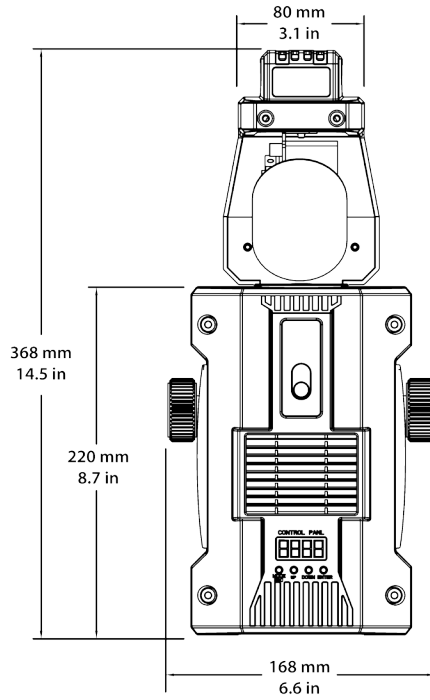
- Keep this User Manual for future consultation. If you sell this product to another user, be sure that they also receive this document.
- Always make sure that the voltage of the outlet to which you are connecting this product is within the range stated on the decal or rear panel of the fixture.
- This product is for indoor use only! To prevent risk of fire or shock, do not expose this fixture to rain or moisture.
- Make sure there are no flammable materials close to the unit while operating.
- Always install this product in a location with adequate ventilation, at least 20 in (50 cm) from adjacent surfaces.
- Be sure that no ventilation slots on the unit's housing are blocked.
- Always disconnect this product from the power source before cleaning it or replacing the fuse.
- Make sure to replace the fuse with another of the same type and rating.
- If mounting this product overhead, always secure it to a fastening device using a safety cable.
- The maximum ambient temperature (Ta) is 104° F (40° C). Do not operate this product at higher temperatures.
- In the event of a serious operating problem, stop using the unit immediately.
- Never try to repair this product. Repairs carried out by unskilled people can lead to damage or malfunction. Please contact the nearest authorized technical assistance center.
- Never connect this product to a dimmer pack.
- Make sure the power cord is not crimped or damaged.
- Never disconnect the power cord by pulling or tugging on the cord.
- Never carry a fixture from the power cord or any moving part. Always use the mounting bracket or the handles.
- Always avoid direct eye exposure to the light source when this fixture is on.

2. INTRODUCTION

Product Overview



Product Dimensions



3. SETUP

AC Power

This product has an auto-ranging power supply and it can work with an input voltage range of 100~240 VAC, 50/60 Hz.

To determine the power requirements for a particular fixture, see the label affixed to the back plate of the fixture or refer to the fixture's specifications chart. A fixture's listed current rating indicates its average current draw under normal conditions.



Always connect this product to a protected circuit (circuit breaker or fuse), making sure that it has an appropriate electrical ground to avoid the risk of electrocution or fire.



Never connect this product to a rheostat (variable resistor) or dimmer circuit, even if the rheostat or dimmer channel serves only as a 0 to 100% switch.

Fuse Replacement



Disconnect this product from the power outlet before replacing the fuse.

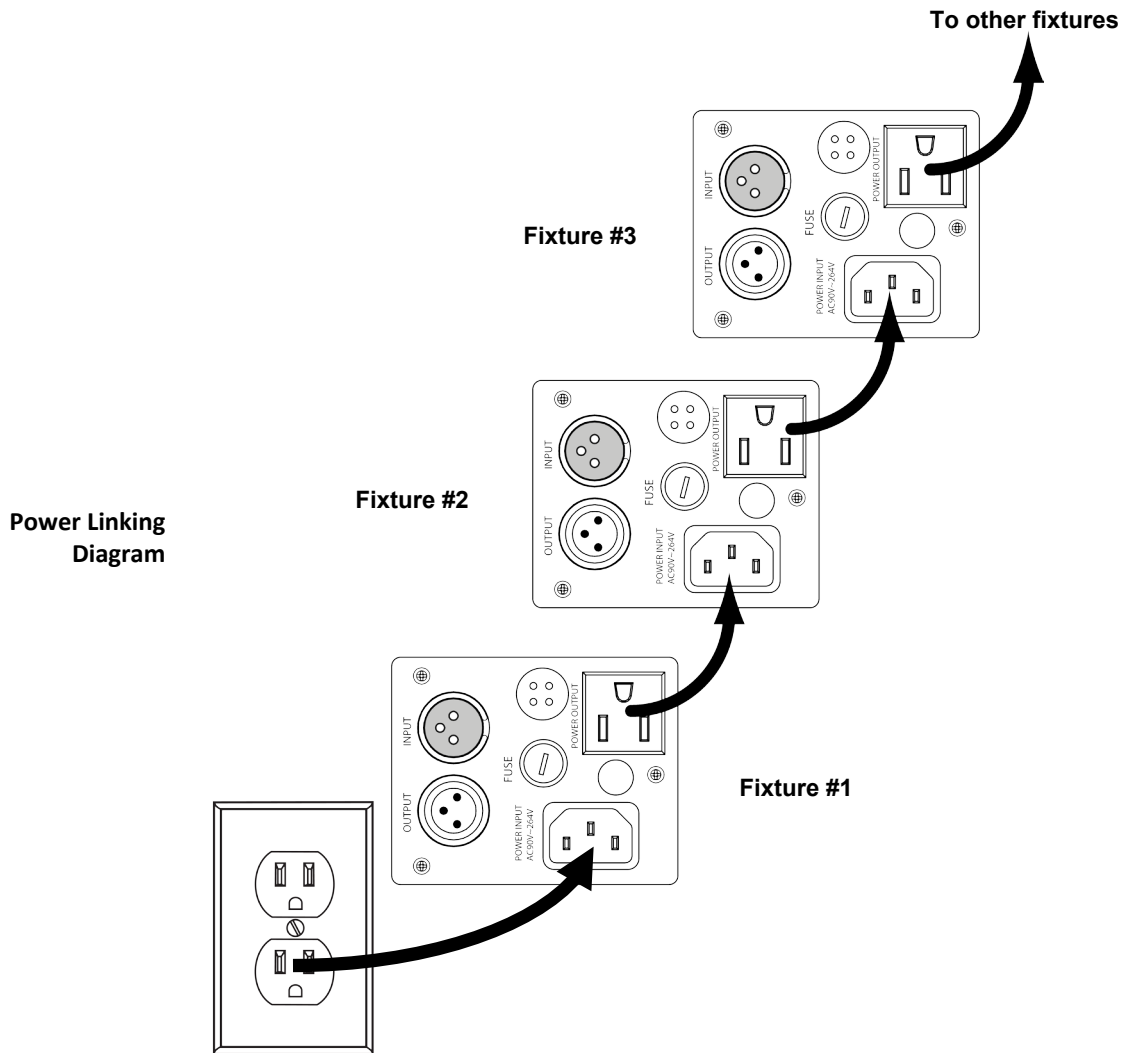
- 1) Disconnect the fixture from the power outlet.
- 2) With a Phillips #2 head screwdriver, unscrew the fuse holder cap from its housing.
- 3) Remove the blown fuse and replace it with a good fuse of the same type and rating (F 3.15 A @ 250 V).
- 4) Screw the fuse holder cap back in its place and reconnect power.



Always replace a blown fuse with a good fuse of the same type and rating.

Power Linking

This fixture provides power linking via the Edison outlet located in the bottom of the unit. Please see the diagram below for further explanation.



You can power link up to 8 Intimidator™ Scan LED 200 units on 120 VAC.



The power linking diagram shown above corresponds to the North American version of this product **ONLY!** If using this product in other markets, you must consult with the local CHAUVET® distributor as power linking connectors and requirements may differ in your country or region.

Mounting

Orientation

The Intimidator™ Scan LED 200 may be mounted in any position, provided there is adequate room for ventilation around it.

Rigging

Before deciding on a location for this product, always make sure that it will be easy to access the unit for maintenance and programming purposes.

Make sure that the structure or surface onto which you are mounting this product can support its weight. Please see the *Technical Specifications* section of this manual for weight information.

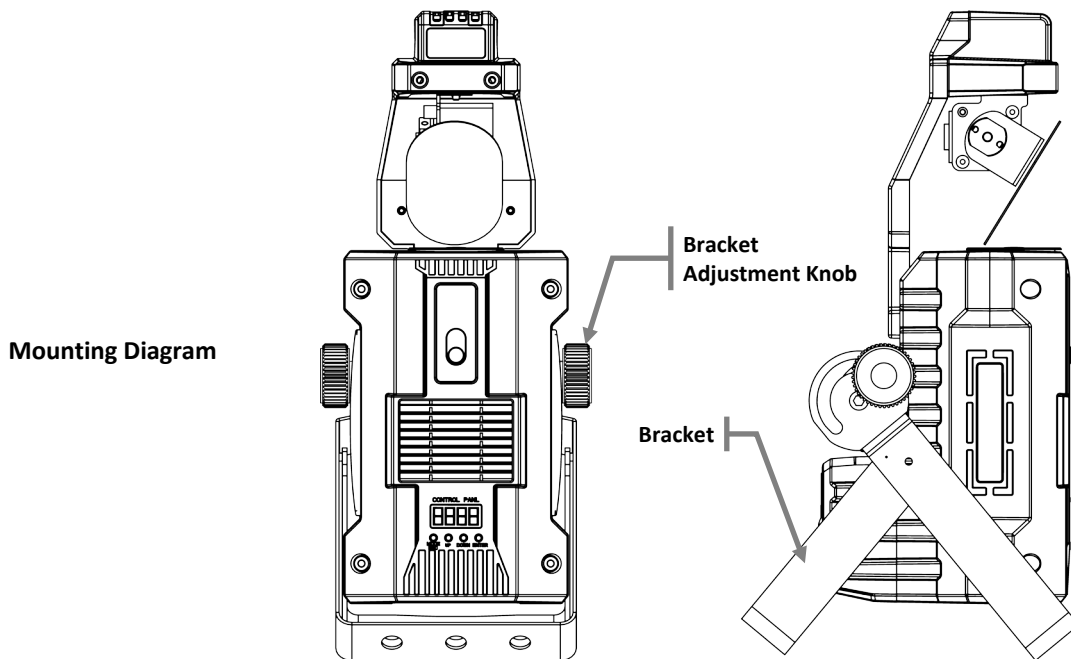
When mounting this product overhead, always use a safety cable. Mount the fixture securely to a rigging point, whether an elevated platform or a truss.

When rigging this product onto a truss, you should use a mounting clamp of appropriate weight capacity. The bracket has a 13 mm hole, which is appropriate for this purpose.

When power linking multiple fixtures, you must always consider the length of the power linking cable and mount the fixtures close enough for the cable to reach them.

The bracket knobs allow for directional adjustment when aiming the fixture to the desired angle. Loosen or tighten the bracket knobs using only your bare hands. Using tools could damage the knobs.

The double bracket yoke/mounting brackets also serve as floor supports or surface mounting. When mounting this fixture on the floor, make sure that the fixture and its cables are away from people and vehicles.

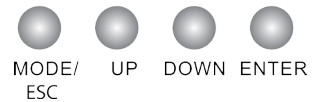


4. OPERATION

Control Panel Operation

To access the control panel functions, use the four buttons located underneath the display.

Button	Function
<MODE/ESC>	Press to find an operation mode or to back out of the current menu option
<UP>	Press to scroll up the list of options or to find a higher value
<DOWN>	Press to scroll down the list of options or to find a lower value
<ENTER>	Press to activate a menu option or a selected value



Menu Map

Menu	Selection 1	Selection 2	Description
DMX Address	d001-512		DMX starting address
Standalone Mode	SLAv	Son	Standalone: Slave receive mode
	nStS	SrUn	Standalone: sound-active
	nAFA	FAST	Standalone: fast
	nASL	SLoU	Standalone: slow
Pan Invert	PAn		Normal pan
	rPAn		Pan invert
Tilt Invert	tit		Normal tilt
	rtit		Tilt invert
Display Invert	dis		Normal display
	rdid		Invert the display
Personality	8CH		8-channel personality
	5CH		5-channel personality
Reset	rESt		Reset all motors to correct any errors with motors misaligning during operation
Load Default	LoAd		Load all settings back to the factory default

DMX Operation

Set this product in DMX mode to control it with a DMX controller.

- 1) Connect this product to a suitable power outlet.
- 2) Turn this product on.
- 3) Connect a DMX cable from the DMX output of the DMX controller to the DMX input socket of this product.

Starting Address

When selecting a starting DMX address, always consider the number of DMX channels the selected DMX mode uses. If you choose a starting address that is too high, you could restrict the access to some of the fixture's channels.

The Intimidator™ Scan LED 200 uses up to 8 DMX channels in its 8-channel DMX mode, which defines the highest configurable address to 505.

If you are not familiar with the DMX protocol, download the DMX Primer from www.chauvetlighting.com.

To select the starting address, do the following:

- 1) Press **<MODE/ESC>** until **d***** appears on the LED screen.
- 2) Using **<UP>** and **<DOWN>**, select the starting address (**001~512**).
- 3) Press **<ENTER>**.
- 4) Press **<MODE/ESC>** until one of the DMX personalities appears on the LED screen (**8-CH, 5-CH**).
- 5) Using **<UP>** and **<DOWN>**, select the desired DMX personality.
- 6) Press **<ENTER>**.



Only connect 32 fixtures to a single DMX daisy chain!

Standalone Operation

Master/Slave Mode (Sound-Active, Auto Mode)

This mode allows a single unit, the master, to operate in one of the standalone modes, while one or more fixtures, slaves, synchronize their responses to the master.

Master:

The master fixture may be set in any of the STANDALONE modes: sound-active, fast, or slow.

Slave:

- 1) Press **<MODE/ESC>** until one of the standalone modes appears on the LED screen (**SLAu**, **nStS**, **nAFA**, **nASL**).
- 2) Using **<UP>** and **<DOWN>**, select **SLAu**.
- 3) Press **<ENTER>**.



Only connect 32 fixtures to a single DMX daisy chain!

Automatic-Slow

This fixture has a preprogrammed chase that will operate in a preprogrammed, slow playback speed.

Access this mode via the control panel on the front of the fixture. Please see the instructions below for further explanation.

- 1) Press **<MODE/ESC>** until one of the standalone modes appears on the LED screen (**SLAu**, **nStS**, **nAFA**, **nASL**).
- 2) Using **<UP>** and **<DOWN>**, select **nASL**.
- 3) Press **<ENTER>**.

Automatic-Fast

This fixture has a preprogrammed chase that will operate in a preprogrammed, fast playback speed.

Access this mode via the control panel on the front of the fixture. Please see the instructions below for further explanation.

- 1) Press **<MODE/ESC>** until one of the standalone modes appears on the LED screen (**SLAu**, **nStS**, **nAFA**, **nASL**).
- 2) Using **<UP>** and **<DOWN>**, select **nAFA**.
- 3) Press **<ENTER>**.

Sound-Active

This fixture has a preprogrammed, sound triggered chase.

Access this via the control panel on the front of the fixture. Please see the chart below for further explanation.

- 1) Press **<MODE/ESC>** until one of the standalone modes appears on the LED screen (**SLAu**, **nStS**, **nAFA**, **nASL**).
- 2) Using **<UP>** and **<DOWN>**, select **nStS**.
- 3) Press **<ENTER>**.



The fixture will only respond to the low frequencies of the music (bass and drums).

Service Mode

Hidden Menu Map

This fixture has a hidden menu. The purpose of this menu is to adjust the home position (electronic adjustment) of the attributes listed below.

Main Function	Selection	Instruction
P128	000~255	Adjustment for pan
t128	000~255	Adjustment for tilt
9128	000~255	Adjustment for the gobo wheel
C128	000~255	Adjustment for the color wheel
H128	000~255	Adjustment for pan
Y128	000~255	Adjustment for tilt

Please see the instructions below to access this hidden menu:

- 1) Press < **MODE/ESC** > for at least 10 seconds.
- 2) Using < **UP/DOWN** >, enter the following pass code: "**2323**".
- 3) Press < **UP** > to change the blinking digit in ascending order, and press < **DOWN** > to move on to the next digit.
- 4) Press < **ENTER** >.



This mode will be automatically terminated after 15 seconds of being idle.

DMX Channel Assignments and Values

8-Channel Mode

Channel	Function	Value	Setting
1	Pan	000 ⇔ 255	0°~180°
2	Tilt	000 ⇔ 255	0°~90°
3	Color	000 ⇔ 007	Open (white)
		008 ⇔ 015	Dark Blue
		016 ⇔ 023	Yellow
		024 ⇔ 031	Pink
		032 ⇔ 039	Green
		040 ⇔ 047	Red
		048 ⇔ 055	Blue
		056 ⇔ 063	Salmon Pink
		064 ⇔ 071	White/dark blue
		072 ⇔ 079	Dark blue/yellow
		080 ⇔ 087	Yellow/pink
		088 ⇔ 095	Pink/green
		096 ⇔ 103	Green/red
104 ⇔ 111	Red/blue		
112 ⇔ 119	Blue/salmon pink		
120 ⇔ 127	Salmon pink/white		
128 ⇔ 191	Rotate clockwise (slow ~ fast)		
192 ⇔ 255	Rotate counter-clockwise (slow ~ fast)		
4	Shutter	000 ⇔ 003	Closed
		004 ⇔ 007	Open
		008 ⇔ 215	Strobe (slow ~ fast)
		216 ⇔ 255	Open
5	Dimmer	000 ⇔ 255	0%~100%
6	Gobo Wheel	000 ⇔ 007	Open
		008 ⇔ 015	Gobo 1
		016 ⇔ 023	Gobo 2
		024 ⇔ 031	Gobo 3
		032 ⇔ 039	Gobo 4
		040 ⇔ 047	Gobo 5
		048 ⇔ 055	Gobo 6
		056 ⇔ 063	Gobo 7
		064 ⇔ 071	Gobo 7 shake, fast to slow
		072 ⇔ 079	Gobo 6 shake, fast to slow
		080 ⇔ 087	Gobo 5 shake, fast to slow
		088 ⇔ 095	Gobo 4 shake, fast to slow
		096 ⇔ 103	Gobo 3 shake, fast to slow
		104 ⇔ 111	Gobo 2 shake, (fast ⇔ slow)
		112 ⇔ 119	Gobo 1 shake, (fast ⇔ slow)
		120 ⇔ 127	Open
128 ⇔ 191	Gobo scroll: Clockwise rotation		
192 ⇔ 255	Gobo scroll: Counter-clockwise rotation		



1



2



3



4



5



6



7

Continues on the next page

Continued from previous page

**8-Channel
Mode (Cont.)**

Channel	Function	Value	Setting
7	Function	000 ⇔ 007	No function
		008 ⇔ 015	Pan/tilt move-in-black
		016 ⇔ 023	Pan/tilt move-in-black (disable)
		024 ⇔ 031	Color wheel move-in-black
		032 ⇔ 039	Color wheel move-in-black (disabled)
		040 ⇔ 047	Gobo wheel move-in-black
		048 ⇔ 055	Gobo wheel move-in-black (disabled)
		056 ⇔ 087	No Function
		088 ⇔ 095	All movement move-in-black (disabled)
		096 ⇔ 103	Reset pan/tilt
		104 ⇔ 111	No Function
		112 ⇔ 119	Reset color wheel
		120 ⇔ 127	Reset gobo wheel
		128 ⇔ 151	No Function
		152 ⇔ 159	Reset all
		160 ⇔ 255	No function
8	Movement Macros	000 ⇔ 007	No function
		008 ⇔ 023	Automatic 1
		024 ⇔ 039	Automatic 2
		040 ⇔ 055	Automatic 3
		056 ⇔ 071	Automatic 4
		072 ⇔ 087	Automatic 5
		088 ⇔ 103	Automatic 6
		104 ⇔ 119	Automatic 7
		120 ⇔ 135	Automatic 8
		136 ⇔ 151	Sound 1
		152 ⇔ 167	Sound 2
		168 ⇔ 183	Sound 3
		184 ⇔ 199	Sound 4
		200 ⇔ 215	Sound 5
		216 ⇔ 231	Sound 6
		232 ⇔ 247	Sound 7
248 ⇔ 255	Sound 8		

5-Channel Mode

Channel	Function	Value	Setting
1	Pan	000 ⇄ 255	0°~180°
2	Tilt	000 ⇄ 255	0°~90°
3	Color	000 ⇄ 007 008 ⇄ 015 016 ⇄ 023 024 ⇄ 031 032 ⇄ 039 040 ⇄ 047 048 ⇄ 055 056 ⇄ 063 064 ⇄ 071 072 ⇄ 079 080 ⇄ 087 088 ⇄ 095 096 ⇄ 103 104 ⇄ 111 112 ⇄ 119 120 ⇄ 127 128 ⇄ 191 192 ⇄ 255	Open (white) Dark Blue Yellow Pink Green Red Blue Salmon Pink White/dark blue Dark blue/yellow Yellow/pink Pink/green Green/red Red/blue Blue/salmon pink Salmon pink/white Rotate clockwise (slow ~ fast) Rotate counter-clockwise (slow ~ fast)
4	Shutter	000 ⇄ 003 004 ⇄ 007 008 ⇄ 215 216 ⇄ 255	Closed Open Strobe (slow ~ fast) Open
5	Gobo Wheel	000 ⇄ 007 008 ⇄ 015 016 ⇄ 023 024 ⇄ 031 032 ⇄ 039 040 ⇄ 047 048 ⇄ 055 056 ⇄ 063 064 ⇄ 071 072 ⇄ 079 080 ⇄ 087 088 ⇄ 095 096 ⇄ 103 104 ⇄ 111 112 ⇄ 119 120 ⇄ 127 128 ⇄ 191 192 ⇄ 255	Open Gobo 1 Gobo 2 Gobo 3 Gobo 4 Gobo 5 Gobo 6 Gobo 7 Gobo 7 shake, fast to slow Gobo 6 shake, fast to slow Gobo 5 shake, fast to slow Gobo 4 shake, fast to slow Gobo 3 shake, fast to slow Gobo 2 shake, (fast ⇄ slow) Gobo 1 shake, (fast ⇄ slow) Open Gobo scroll: Clockwise rotation Gobo scroll: Counter-clockwise rotation



1



2



3



4



5



6



7

5. TECHNICAL INFORMATION

General Maintenance

Dust build up reduces light output performance and can cause overheating. This can lead to reduction of the light source's life or mechanical wear. To maintain optimum performance and minimize wear, you should clean your lighting fixtures at least twice a month. However, be aware that usage and environmental conditions could be contributing factors to increase the cleaning frequency.

To clean this fixture, follow the instructions below:

- Unplug the fixture from power.
- Wait until the fixture is cold.
- Use a vacuum (or dry compressed air) and a soft brush to remove dust collected on the external surface/vents and reachable internal components.
- Clean the mirror and lens with a mild soap solution, ammonia-free glass cleaner, or isopropyl alcohol.
- Apply the solution directly to a soft, lint free cotton cloth or a lens cleaning tissue.
- Softly drag any dirt or grime to the outside of the mirror and lens.
- Gently polish the mirror and lens until they are free of haze and lint.
- When cleaning the movable mirror, you should keep the contact with the mirror's surface to a minimum to avoid scratching or damaging it.



Always dry the mirror and lens carefully after cleaning them.



Do not spin the cooling fan/fans using compressed air because you could damage it/them.

General Troubleshooting

Symptom	Possible Cause	Possible Action
Circuit breaker or fuse keeps blowing	Excessive load on the circuit	Make sure that the total load does not exceed 80% of the breaker or fuse nominal current
	Short circuit along the power lines	Check the power lines and power cords
Product does not power up	No energy on power outlet	Check power outlet Change to another outlet
	Loose or damaged power cord	Check the power cord
	Blown fuse	Replace blown fuse with a good one of the same type and rating
	Internal problem	Send product for repair
Fixture does not respond to DMX	Wrong starting address on the fixture	Set the correct starting address on the fixture Use the right fader(s) on the controller
	Wrong DMX personality on the fixture	Set the correct DMX fixture's personality Assign the faders accordingly
	Wrong polarity setting on the DMX controller	Change the signal polarity on the controller
	Loose or damaged DMX cable	Check the DMX cable before the faulty unit
	Internal problem	Send product for repair
Intermittent DMX Problems	Signal cables are not DMX compatible	Replace non DMX cables with true DMX cables
	Interference with AC or radio signals	Keep DMX cables away from AC wires or radio equipment
	DMX cable too long	Install an optically coupled DMX amplifier right before the fixture with intermittent problems
	Too many fixtures connected	Install an optically coupled DMX amplifier after unit #32
	Terminator not connected	Install a terminator, as indicated in the DMX Primer.



If you still experience problems after trying the above solutions, contact CHAUVET® Technical Support.

Returns Procedure

The user must send the merchandise prepaid, in the original box, and with its original packing and accessories. CHAUVET® will not issue call tags.

Call CHAUVET® and request a Return Merchandise Authorization (RMA) number before shipping the fixture. Be prepared to provide the model number, serial number, and a brief description of the cause for the return.

The user must clearly label the package with a Return Merchandise Authorization (RMA) number. CHAUVET® will refuse any product returned without an RMA number.



DO NOT write the RMA number directly on the box. Instead, write it on a properly affixed label.

Once you have received the RMA number, please include the following information on a piece of paper inside the box:

- Your name
- Your address
- Your phone number
- The RMA number
- A brief description of the problem

Be sure to pack the fixture properly. Any shipping damage resulting from inadequate packaging will be the customer's responsibility. As a suggestion, proper UPS packing or double-boxing is always a safe method to use.



CHAUVET® reserves the right to use its own discretion to repair or replace returned product(s).

Claims

The carrier is responsible for any damage incurred during shipping to this product or any part that shipped with it. Therefore, if the received merchandise appears to have damages caused during shipping, the customer must submit the damage report and any related claims with the carrier, not CHAUVET®. The customer must submit the report upon reception of the damaged merchandise. Failure to do so in a timely manner may invalidate the customer's claim with the carrier.

For other issues such as missing components or parts, damage not related to shipping, or concealed damage, the customer must make claims to CHAUVET® within seven (7) days of receiving the merchandise.

Contact Information

World Headquarters

CHAUVET®

General Information

Address: 5200 NW 108th Avenue
Sunrise, FL 33351
Voice: (954) 929-1115
Fax: (954) 929-5560
Toll free: (800) 762-1084

Technical Support

Voice: (954) 929-1115 (Press 4)
Fax: (954) 756-8015
Email: tech@chauvetlighting.com

World Wide Web

www.chauvetlighting.com

United Kingdom & Ireland

CHAUVET® Europe Ltd.

General Information

Address: Unit 1C
Brookhill Road Industrial Estate
Pinxton, Nottingham, UK
NG16 6NT
Voice: +44 (0)1773 511115
Fax: +44 (0)1773 511110

Technical Support

Email: uktech@chauvetlighting.com

World Wide Web

www.chauvetlighting.co.uk

6. TECHNICAL SPECIFICATIONS

Dimensions and Weight

Length	Width	Height	Weight
13.2 in (335 mm)	6.6 in (168 mm)	14.5 in (368 mm)	7.5 lbs (3.4 kg)

Note: Dimensions in inches rounded to the nearest decimal digit.

Power

Power Supply Type	Range	Voltage Selection
Switching (internal)	100~240 V, 50/60 Hz	Auto-ranging
Parameter	120 V, 60 Hz	230 V, 50 Hz
Consumption	68 W	67 W
Operating	1 A	0.5 A
Power linking	8 units	
Power I/O	US/Worldwide	UK/Europe
Power input connector	IEC	IEC
Power output connector	Edison	
Power Cord plug	Edison (US)	Local plug

Light Source

Type	Power	Lifespan
White LED	1 x 18 W	50,000 hours

Photo Optic

Parameter	Standard Lens
Illuminance @ 1 m	9,000 lx
Beam angle	15°

Scan Range

Parameter	Value
Pan	180°
Tilt	90°

Thermal

Maximum External Temp.	Cooling System
104° F (40° C)	Fan

DMX

I/O Connectors	Connector Type	Channel Range
3-pin XLR	Sockets	5, 8

Ordering

Product Name	Item Code	Item Number
Intimidator™ Scan LED 200	08020174	INTIMIDATORSCANLED200

