



Owner's Manual

Keyboard Amplifier

KC-220

English

日本語

Deutsch

Français

Italiano

Español

Português

Nederlands

Main features

KC-220 is a stereo keyboard amp designed for high sound quality, and is suitable for a variety of sources such as keyboards and sound modules.

- Dual power design allows operation using eight AA batteries or the AC adaptor.
- The KC-220 features a two-way stereo design with a speaker and a tweeter.

Speaker	Output
16 cm x 2 + horn tweeter x 2	30 W (15 W + 15 W) * When using the AC adaptor.

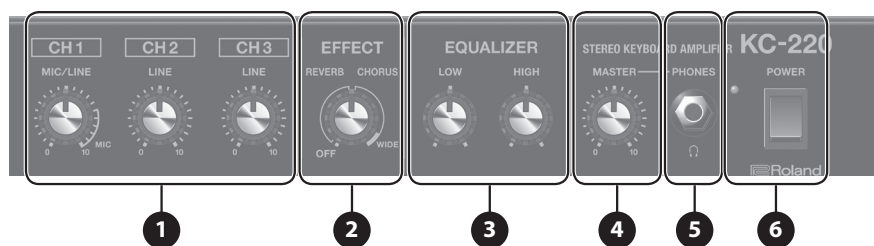
- The input section is equipped with a mixer. CH1 additionally provides an XLR connector that supports mic input.
- Two types of AUX IN jack (RCA phono and stereo mini-jack) are provided for easily connecting an audio player or other source.
- The two-band equalizer is convenient for adjusting the character of the sound.
- A speaker stand can be attached to allow convenient use as a monitor or small-scale PA.
- The headphone jack is convenient for monitoring at night, etc.

Before using this unit, carefully read **"USING THE UNIT SAFELY"** and **"IMPORTANT NOTES"** (the leaflet **"USING THE UNIT SAFELY"** and the Owner's Manual (p. 7)). After reading, keep the document(s) where it will be available for immediate reference.

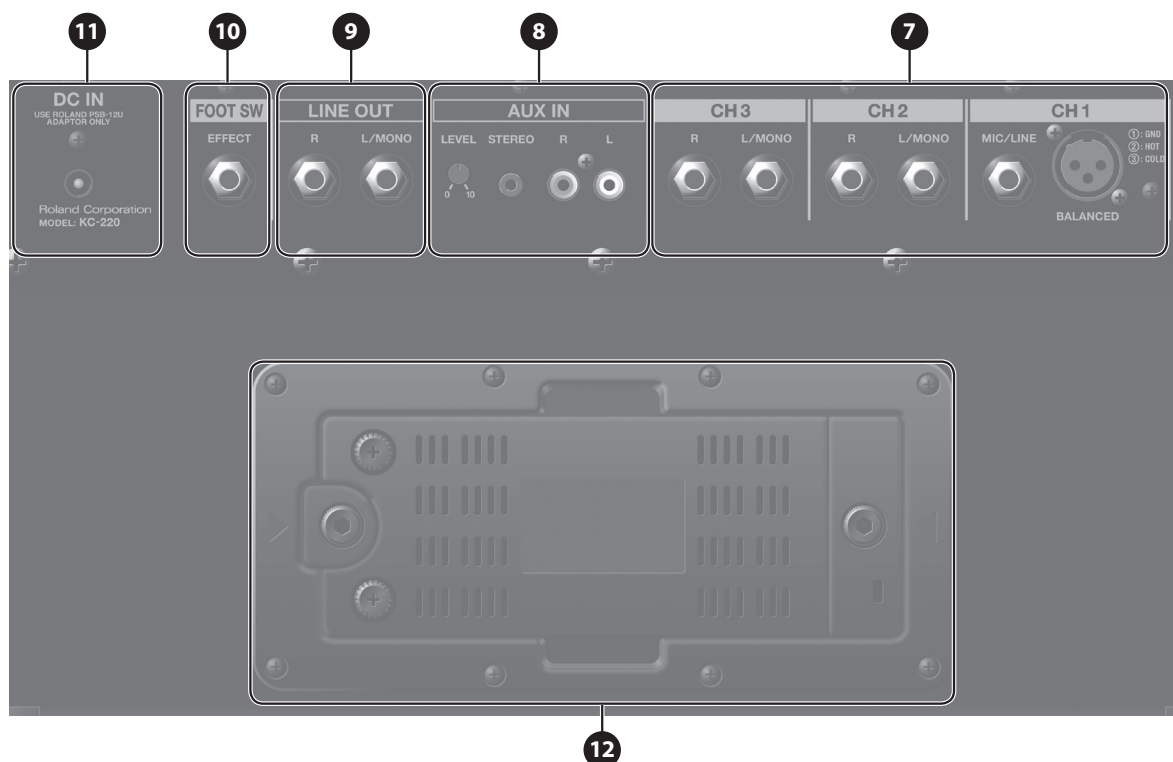
Copyright © 2017 ROLAND CORPORATION

Panel Descriptions

Top Panel



Rear Panel



Top Panel

1 [CH1]–[CH3] knobs

Adjust the volume of the devices connected to CH1–CH3.

2 [EFFECT] knob

The internal effect can be applied to the devices that are connected to CH1–CH3.

Depending on the position of the knob, it switches between two types of effects and adjusts the depth of the effect.

Effect	Explanation
REVERB	This effect adds reverberation to the sound.
CHORUS	An effect that adds a slightly modulated sound to the direct signal, creating beautiful spaciousness and depth.
WIDE	This is a stereo chorus that processes the three frequency bands independently, creating a spacious, embracing effect. The low range remains firmly localized in the center, and the sound will become more spacious as you go from the mid to the high range.

* The effect is not applied to the sound that's being input from AUX IN jack.

3 EQUALIZER

[LOW] knob

Adjusts the sound level of the low-frequency range.

[HIGH] knob

Adjusts the sound level of the high-frequency range.

4 [MASTER] knob

Adjusts the overall volume.

* The [MASTER] knob does not adjust the signal that is output from the LINE OUT jack.

5 PHONES jack

You can connect headphones here.

* If a plug is inserted in this jack, no sound will be output from the unit's own speaker. This is convenient if you don't want loud sound to be produced from the speaker, such as when you're practicing at night.

6 [POWER] switch

Turns the power on/off. When the power is on, the indicator at the left of this switch is lit.

* When operating on battery power only, the unit's indicator will become dim when battery power gets too low. Replace the battery as soon as possible.

Rear Panel

7 CH1–CH3 input jacks

CH1: BALANCED jack, MIC/LINE jack

CH1 is equipped with a phone-type MIC/LINE jack and a balanced XLR-type BALANCED jack that is convenient for connecting a mic. This channel supports levels ranging from mic input level (-50 dBu) through line input level (-20 dBu) for sources such as a sound module.

* Pin assignment of CH1 BALANCED jack



CH2, CH3: LINE jacks

Use these for connecting keyboards, sound modules, and other devices.

They accept line level input (-20 dBu).

8 AUX IN (STEREO, R/L) jacks

Here you can connect an audio player, electronic musical instrument, or similar audio source, and listen to it while you perform.

[LEVEL] knob

Adjusts the level of the input from AUX IN jacks.

9 LINE OUT jack

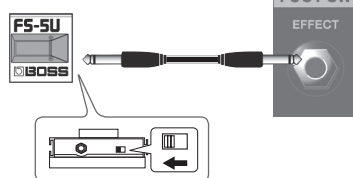
Connect this to your mixer or recorder.

The EQUALIZER knobs and the [MASTER] knob do not affect the volume or tone of the output from the LINE OUT jack.

10 FOOT SW jack

If a momentary-type footswitch (sold separately: FS-5U) is connected here, you can use your foot to turn the internal effect on/off.

FS-5U



11 DC IN jack

Connect the included AC adaptor.

* Use only the AC adaptor that was included with the unit.

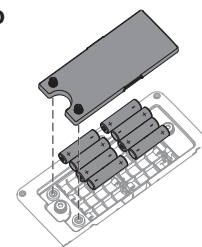
* To prevent the inadvertent disruption of power to your unit (should the plug be pulled out accidentally), and to avoid applying undue stress to the jack, anchor the power cord using the cord hook, as shown in the illustration.



12 Battery case

Installing batteries

1. Remove the screws from these two locations.
2. Remove the battery compartment cover.
3. Insert batteries, taking care to observe the correct polarity.



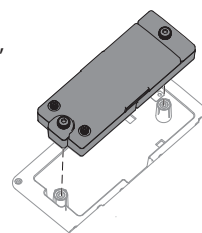
* We recommend that you keep batteries installed in the unit even though you'll be powering it with the AC adaptor. That way, you'll be able to continue a performance even if the cord of the AC adaptor gets accidentally disconnected from the unit.

* To prevent malfunction and speaker damage, make sure to switch off the KC-220's power before you insert or replace its batteries, and before connecting it to other devices.

* If you handle batteries improperly, you risk explosion and fluid leakage. Make sure that you carefully observe all of the items related to batteries that are listed in "USING THE UNIT SAFELY" and "IMPORTANT NOTES" (leaflet "USING THE UNIT SAFELY" and Owner's manual (p. 7)).

Removing the battery case

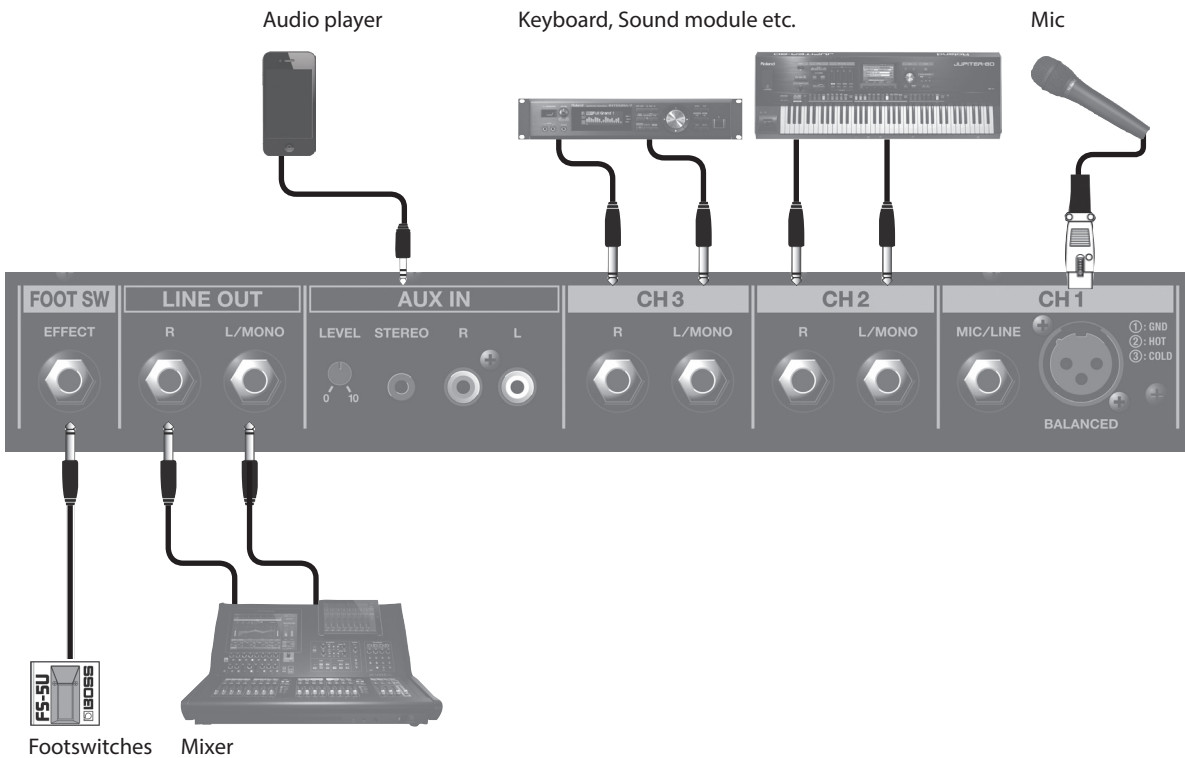
Although it is possible to replace the batteries without removing the battery case, battery replacement will be easier if you remove the battery case.



1. Remove the screws from these two locations.
2. Remove the battery case.

* Take care that no metal object touches the contacts of the battery case. This can short-circuit the batteries, causing the case to overheat or burn.

Example connections



* To prevent malfunction and equipment failure, always turn down the volume, and turn off all the units before making any connections.

Turning the Power On/Off

* Once everything is properly connected, be sure to follow the procedure below to turn on their power. If you turn on equipment in the wrong order, you risk causing malfunction or equipment failure.

1. Make sure that this unit's [MASTER] knob and the volume of the devices connected to this unit are set to minimum.
2. Turn on all the devices connected to the unit's input jacks (CH1–CH3, AUX IN).
3. Turn on the unit.
4. Turn on all the devices connected to the unit's output jacks (LINE OUT, PHONES).
5. Adjust the volume levels for the devices.

Before switching off the power, lower the volume on each of the devices in your system and then turn off the devices in the reverse order to which they were switched on.

* Before turning the unit on/off, always be sure to turn the volume down. Even with the volume turned down, you might hear some sound when switching the unit on/off. However, this is normal and does not indicate a malfunction.

Setting the Volume of Each Device

In order to get optimum sound from this unit when performing, set the volume as described below.

1. Use the [CH1]–[CH3] knobs to adjust the volume balance of the devices connected to CH1–CH3.
2. Use the [LOW] knob and [HIGH] knob to adjust the tone to your taste.
3. Use the [MASTER] knob to adjust the overall volume.

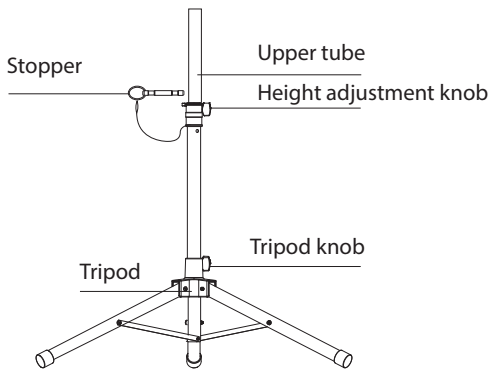
If the sound is distorted, adjust the [CH1]–[CH3] knobs and [MASTER] knob, or adjust the volume knob of the devices connected to the inputs (CH1–CH3, AUX IN).

Using a Speaker Stand

By using this unit with the ST-A95 speaker stand (sold separately), it can be positioned at the ideal height for monitoring or use as a simple PA system.

Attaching the ST-A95 stand

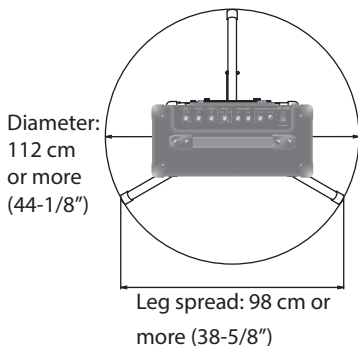
- * You must obtain the assistance of at least one other person when attaching the unit to the speaker stand, or when adjusting the height of the speaker stand with the unit attached.
- * When setting up, take care not to pinch your fingers.



1. Loosen the tripod knob, and open the tripod.

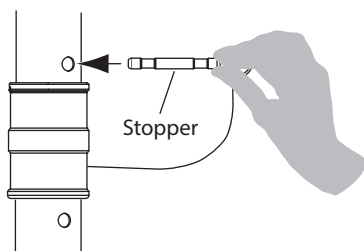
After you've opened the tripod sufficiently, tighten the tripod knob.

- * As shown in the illustration below, open the tripod so that its feet are more than 98 cm (38-5/8") apart. The tripod will be unstable if it is not opened wide enough.



2. Loosen the height adjustment knob, and extend the upper pipe.

3. Insert the stopper into the upper tube to obtain the desired height, up to a maximum height of 140 cm (55-1/8") for the stand.



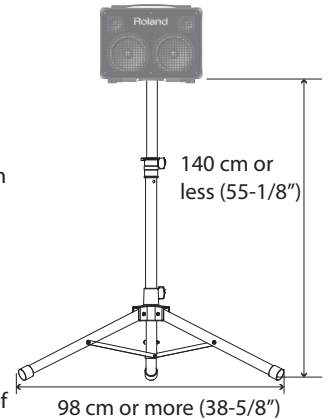
- * The stopper must be inserted when using the system.

4. Tighten the height adjustment knob.

5. Insert the unit onto the upper tube.

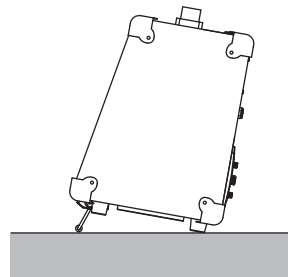
WARNING

- The KC-220 is designed to be used only in combination with a Roland-manufactured speaker stand (ST-A95). Do not use it with any other stand.
- As shown in the illustration on the right, adjust the speaker stand to a height of no more than 140 cm, and open the tripod to a spread of 98 cm or more.
- Adjusting the speaker stand to a height greater than 140 cm or the tripod to a spread of less than 98 cm may allow the system to fall over, resulting in damage or personal injury.
- If you use the unit with a speaker stand, do not place it on an unstable or tilted location. You must place the system on a stable, horizontal location.
- Cables connected to the unit should have enough slack, so that they will not cause an accident if someone trips over them.
- To prevent accidents caused by falling objects, do not place anything on top of a unit that is mounted on a speaker stand.



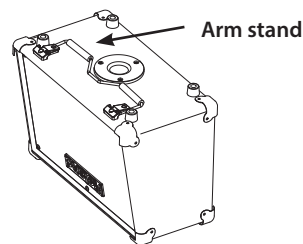
Using the KC-220's Arm Stand

When using the KC-220 at a low position such as on the floor, extending the arm stand will make the sound from the speakers easier to hear.



NOTE

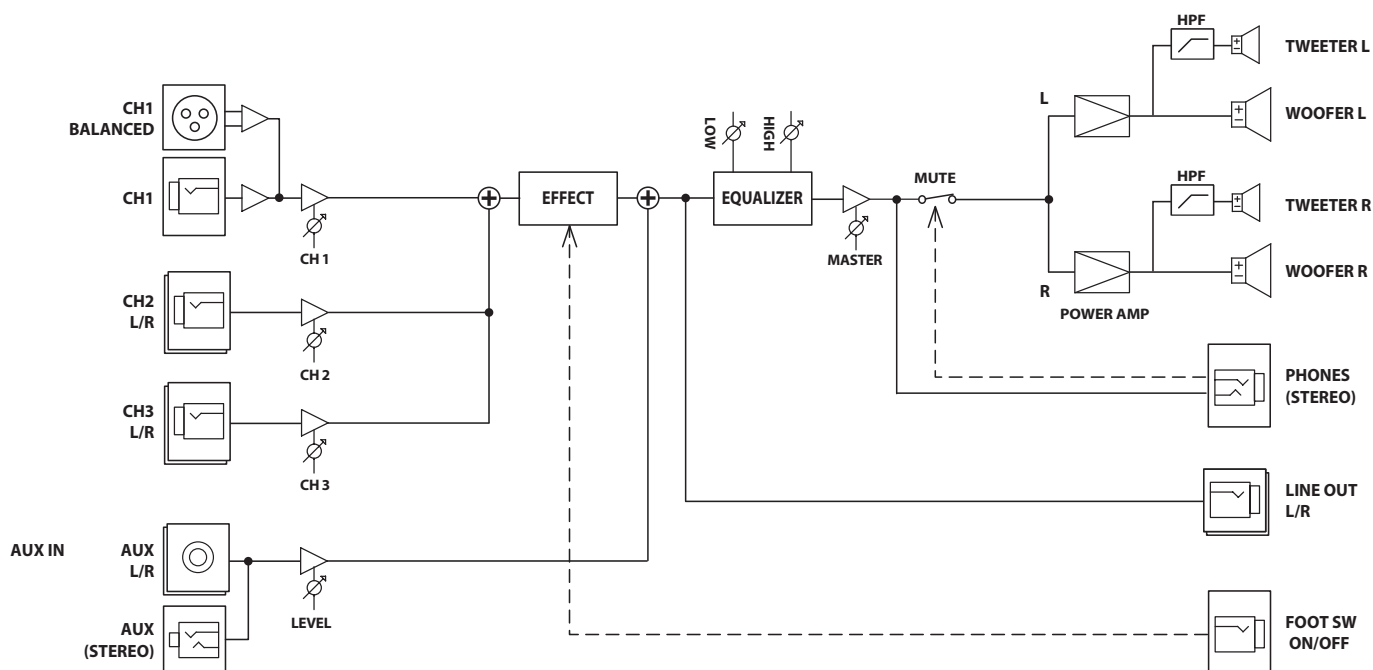
- If you use the arm stand, you must place the KC-220 on a horizontal surface.
- Fold the arm stand if you're not using it.



NOTE

- Do not lift or carry the KC-220 by grasping its arm stand.
- When using the arm stand, do not place objects on the KC-220, or sit or stand on the KC-220.
- Take care not to pinch your fingers when folding the arm stand.

Block Diagram



Main Specifications

Roland KC-220: BATTERY POWERED STEREO KEYBOARD AMPLIFIER

Rated Power Output	30 W (15 W + 15 W) (when using the AC adaptor) 20 W (10 W + 10 W) (when using the Alkaline batteries)
Nominal Input Level (1 kHz)	CH1 (BALANCED, MIC/LINE): -50-- -20 dBu CH2 (LINE): -20 dBu CH3 (LINE): -20 dBu AUX IN (L, R, STEREO): -10 dBu
Nominal Output Level (1 kHz)	LINE OUT: +4 dBu
Speakers	16 cm (6.5 inches) x 2 Tweeter x 2
Indicator	Power
Connectors	CH1 (BALANCED) jack: XLR type CH1 (MIC/LINE) jack: 1/4-inch phone type CH2 (L/MONO, R) jack: 1/4-inch phone type CH3 (L/MONO, R) jack: 1/4-inch phone type AUX IN (L, R) jacks: RCA phono type AUX IN (STEREO) jack: Stereo miniature phone type LINE OUT (L/MONO, R) jack: 1/4-inch phone type PHONES jack: Stereo 1/4-inch phone type FOOT SW jack: 1/4-inch phone type DC IN jack
Expected battery life under continuous use	Alkaline battery: Approximately 7 hours Rechargeable Ni-MH battery: Approximately 8 hours * This can vary depending on the capacity of the batteries and the conditions of use.
Current draw	550 mA

Dimensions	420 (W) x 244 (D) x 320 (H) mm 16-9/16 (W) x 9-5/8 (D) x 12-5/8 (H) inches
Weight (excluding batteries)	7.3 kg 16 lbs 2 oz
Accessory	Owner's Manual AC Adaptor AC Cord
Options (sold separately)	Speaker stand: ST-A95 Footswitch (BOSS FS-5U)

* 0 dBu = 0.775 Vrms

* This document explains the specifications of the product at the time that the document was issued. For the latest information, refer to the Roland website.

USING THE UNIT SAFELY

WARNING

Make sure that the power cord is grounded

Connect mains plug of this model to a mains socket outlet with a protective earthing connection.



Use only the supplied AC adaptor and the correct voltage

Be sure to use only the AC adaptor supplied with the unit. Also, make sure the line voltage at the installation matches the input voltage specified on the AC adaptor's body. Other AC adaptors may use a different polarity, or be designed for a different voltage, so their use could result in damage, malfunction, or electric shock.



Use only the supplied power cord

Use only the attached power cord. Also, the supplied power cord must not be used with any other device.



CAUTION

Do not remove the speaker grille and speaker

Do not remove the speaker grille and speaker by any means. Speaker is not user replaceable. Shock hazardous voltages and currents are present inside the enclosure.



IMPORTANT NOTES

Power Supply: Use of Batteries

- If the batteries run extremely low, the sound may distort or interruptions in the sound may occur at high volume levels, but this does not indicate a malfunction. If this occurs, please replace the batteries or use the included AC adaptor.

Placement

- Depending on the material and temperature of the surface on which you place the unit, its rubber feet may discolor or mar the surface.

Additional Precautions

- Do not use connection cables that contain a built-in resistor.

Intellectual Property Right

- Roland and BOSS are either registered trademarks or trademarks of Roland Corporation in the United States and/or other countries.
- Company names and product names appearing in this document are registered trademarks or trademarks of their respective owners.

 **Roland**