

VRX915S 15" Bass Reflex Subwoofer

Professional Series

Key Features:

- ▶ Integral rigging hardware for simple connection of VRX915S line-arrays and optional array frame.
- ▶ 15 inch, 2265G-1 Differential Drive® woofer for extended low-frequency output
- ▶ Light and compact for versatility and easy handleability.
- ▶ 20 mm threaded pole socket for solid, secure satellite speaker mounting

Applications:

- ▶ Live performance systems
- ▶ Mobile and fixed DJ systems
- ▶ Sound system rental and tour
- ▶ Permanent installations.

The VRX915S is a compact, high power suspendable subwoofer system containing a 2265G-1 neodymium magnet, patented Differential Drive®, 15" woofer in a front-loaded, vented enclosure. The VRX915S was designed specifically for use in arrays with the VRX928LA Line Array speaker and VRX-SMAF Array Frame. In addition it may also be used in arrays consisting entirely of VRX915S subwoofers.

The system offers complete input connection flexibility for compatibility with a variety of cabling schemes. A recessed, external switch allows selection of either contacts +1/-1 or +2/-2 to be routed to the woofer.

Equally at home in ground stacked applications, the VRX915S is equipped with a top-mounted, threaded, 20 mm socket that can receive the optional SS4-BK pole. This adjustable height pole can be used to mount speakers equipped with standard 36 mm pole sockets. The threaded socket minimizes buzzing and rattling and assures that the pole will be secure and straight.

The enclosure is constructed of top quality birch plywood, coated in JBL's rugged DuraFlex™ finish and is heavily braced to maximize low-frequency performance. The attractive CNC-machined, 16-gauge steel grille is internally lined with acoustically transparent foam to provide additional driver protection and give a very professional appearance. The rear of the enclosure is fitted with T-nuts which may be used to attach the optional WK-4 caster kit.



Shown with VRX928LA and optional VRX-SMAF Array Frame



Specifications:

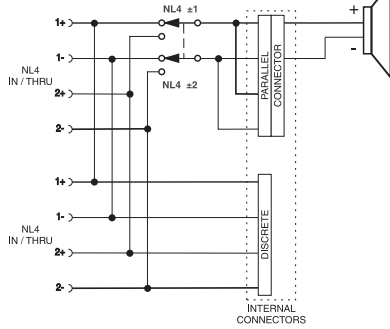
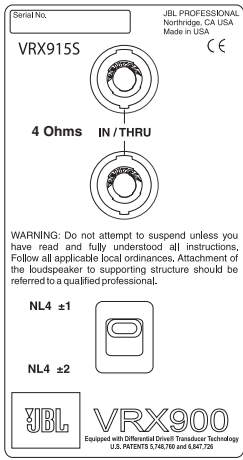
System Type:	15" bass reflex subwoofer
Frequency Range (-10 dB):	35 Hz - 250 Hz
Frequency Response (±3 dB):	40 Hz - 250 Hz
Recommended Hi-Pass Filter:	High-pass: Butterworth 24 dB/oct, 45 Hz Low-pass: Linkwitz-Riley 48 dB/oct, 80 - 120 Hz
Power Rating ¹ : (Continuous / Program / Peak)	800 W / 1600 W / 3200 W
Maximum Peak SPL ² :	126 dB SPL
Sensitivity (1w @ 1m):	91 dB SPL
LF Driver:	1 x JBL 2265G-1, 380 mm (15 in) Differential Drive® woofer
Nominal Impedance:	4 Ohms
Active Tunings:	Tunings available at www.jblpro.com
Enclosure:	15 mm - 18 mm, multi ply birch plywood
Suspension / Mounting:	Top mounted M20 threaded socket for optional pole SS4-BK. Integrated flying hardware for use with array frame VRX-SMAF. 8 M10 fittings. Optional M10 eyebolt kit.
Transport:	Integrated steel handle with backing cup
Finish:	Black DuraFlex™ finish
Grille:	Powder coated, black, 16 gauge perforated steel with acoustically transparent black foam backing.
Input Connectors:	Neutrik® Speakon NL-4 (x2)
Input connection modes:	Switchable, +1/-1 or +2/-2
Dimensions (H x W x D):	496 mm x 420 mm x 597 mm (19.5 in x 16.5 in x 23.5 in)
Net Weight:	26 kg (57 lb)

¹IEC filtered noise with 6 dB crest factor, 2 hours.
²Calculated, based on power rating and sensitivity.

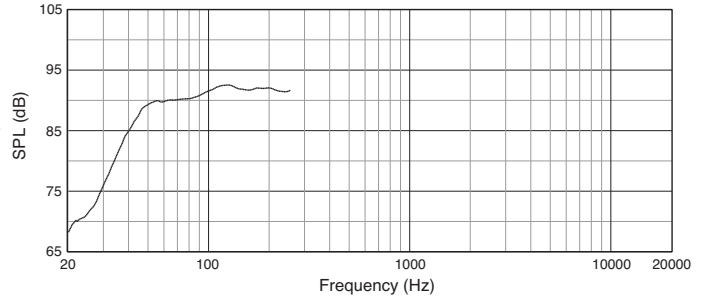
JBL continually engages in research related to product improvement. Some materials, production methods and design refinements are introduced into existing products without notice as a routine expression of that philosophy. For this reason, any current JBL product may differ in some respect from its published description, but will always equal or exceed the original design specifications unless otherwise stated.

► VRX915S 15" Bass Reflex Subwoofer

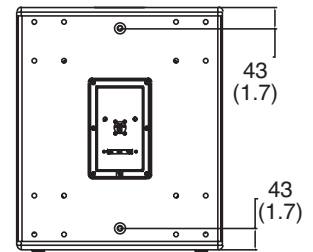
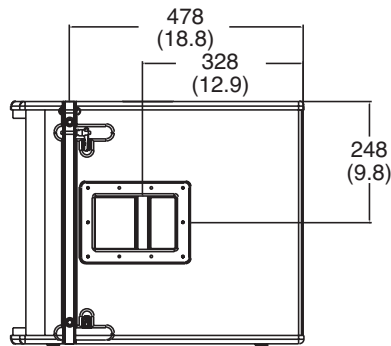
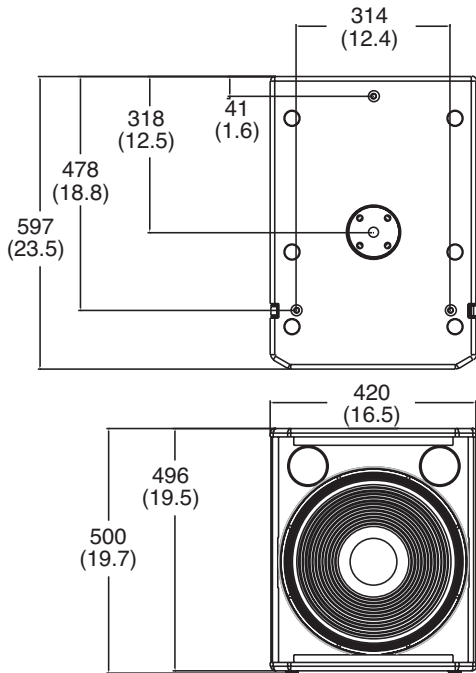
Block Diagram



Frequency Response



Dimensions



Dimensions in mm (in)



JBL Professional
8500 Balboa Boulevard, P.O. Box 2200
Northridge, California 91329 U.S.A.
A Harman International Company
© Copyright 2007 JBL Professional

SS VRX915S
CRP_5M
03/07