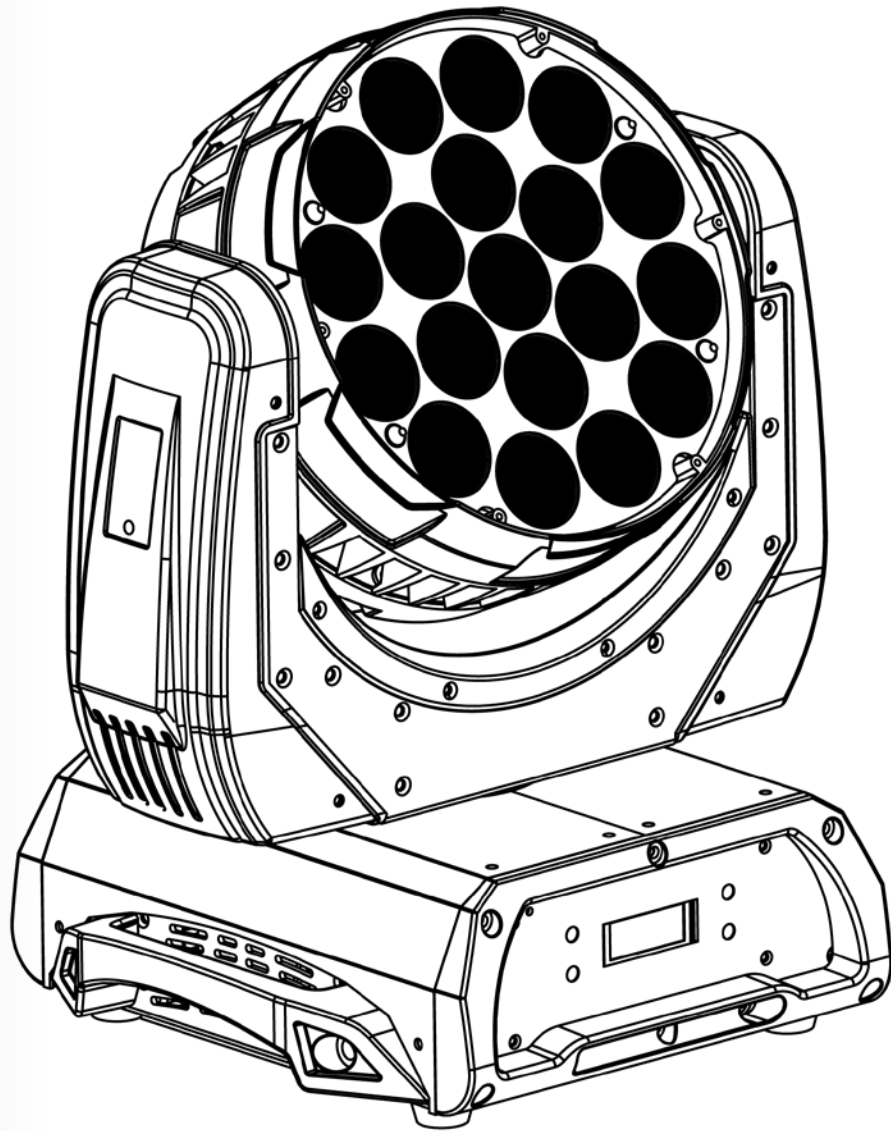


# Q-WASH™ 419Z-LED

User Manual



**Edition Notes** This user manual covers the description, safety precautions, installation, programming, operation, and maintenance of the Q-Wash™ 419Z-LED.

CHAUVET® released this edition of the Q-Wash™ 419Z-LED user manual in August 2013.

**Trademarks** CHAUVET® is a registered trademark of CHAUVET & Sons Inc. (d/b/a CHAUVET® or Chauvet). The CHAUVET® logo in its entirety including the CHAUVET® name and the dotted triangle, and all other trademarks in this manual pertaining to services, products, or marketing statements (example: It's Green Thinking™) are owned or licensed by CHAUVET®. Any other product names, logos, brands, company names, and other trademarks featured or referred to within this document are the property of their respective trademark holders.

**Copyright Notice** CHAUVET® owns the content of this user manual in its entirety, including but not limited to pictures, logos, trademarks, and resources.

© **Copyright 2013 CHAUVET®. All rights reserved.**

Electronically published by CHAUVET® in the United States of America.

**Manual Use** CHAUVET® authorizes its customers to download and print this manual for professional information purposes only. CHAUVET® expressly prohibits the usage, copy, storage, distribution, modification, or printing of this manual or its content for any other purpose without written consent from CHAUVET®.

**Document Printing** For better results, print this document in color, on letter size paper (8.5 x 11 in), double-sided. If using A4 paper (210 x 297 mm), configure your printer to scale the content accordingly.

**Intended Audience** Any person in charge of installing, operating, and/or maintaining this product should completely read through the guide that shipped with the product, as well as this manual, before installing, operating, or maintaining this product.

**Disclaimer** CHAUVET® believes that the information contained in this manual is accurate in all respects. However, CHAUVET® assumes no responsibility for any errors or omissions in this document. CHAUVET® reserves the right to revise and make changes to the content of this document without obligation that CHAUVET® notify any person or company of such revision or changes. This does not in any way constitute a commitment by CHAUVET® to make such changes. CHAUVET® may issue a revision of this manual or a new edition to incorporate such changes.

Author	Date	Editor	Date
D. Couppe	08/12/13	T. Yeago	08/12/13

# Table of Contents

- 1. Before You Begin ..... 1**
  - What Is Included ..... 1
    - Claims ..... 1
    - Manual Conventions ..... 1
    - Symbols ..... 1
  - Safety Notes ..... 2
    - Personal Safety ..... 2
    - Mounting and Rigging ..... 2
    - Power and Wiring ..... 2
    - Operation ..... 2
  - Expected LED Lifespan ..... 2
- 2. Introduction ..... 3**
  - Description ..... 3
  - Features ..... 3
  - Overview ..... 4
  - Dimensions ..... 5
- 3. Setup ..... 6**
  - AC Power ..... 6
    - AC Plug ..... 6
  - Power Linking ..... 6
    - Fuse Replacement ..... 6
  - DMX Linking ..... 7
    - DMX Modes ..... 7
    - Master/Slave Connectivity ..... 7
  - Mounting ..... 8
    - Orientation ..... 8
    - Rigging ..... 8
- 4. Operation ..... 9**
  - Control Panel Description ..... 9
  - Control Options ..... 9
  - Programming ..... 9
    - Control Panel Display ..... 9
    - Display Backlight ..... 9
    - Display Invert ..... 9
    - Control Panel Lock ..... 10
    - Password ..... 10
    - DMX Personality ..... 10
    - DMX Control ..... 10
    - Loss of Signal Setting ..... 11
    - Static Control ..... 11
    - Auto/Custom Programs ..... 11
    - Edit Custom Programs ..... 12
    - Master/Slave ..... 12
    - Fixture Cloning ..... 13
    - Fan Control ..... 13
    - Pan/Tilt Speed ..... 13
    - Reverse Pan Direction ..... 13
    - Reverse Tilt Direction ..... 13
    - Optics Speed ..... 13
    - Reverse Dimmer Direction ..... 13
    - Head Motion Black Out ..... 13
    - Color Settings ..... 14
    - Dimmer Curves ..... 14

# Table of Contents

---

Zoom Position Adjust .....	15
Limit Pan/Tilt Range.....	15
Offset Calibration .....	15
White Calibration.....	15
Calibrating the .....	15
White Color .....	15
Product Reset Control.....	16
Reset.....	16
Custom Program Reset.....	16
Reset to Factory Default .....	16
Software Version.....	16
Menu Map .....	17
DMX Values .....	22
<b>5. Technical Information .....</b>	<b>29</b>
Product Maintenance.....	29
Returns .....	29
Technical Specifications .....	30
Contact Us .....	31

# 1. Before You Begin

## What Is Included

- Q-Wash™ 419Z-LED
- powerCON® power cord
- Omega bracket with mounting hardware
- Safety Cable
- Warranty card
- Quick Reference Guide

## Claims

Carefully unpack the product immediately and check the box to make sure all the parts are in the package and are in good condition.




If the box or the contents (the product and included accessories) appear damaged from shipping or show signs of mishandling, notify the carrier immediately, not CHAUVET®. Failure to report damage to the carrier immediately may invalidate your claim. In addition, keep the box and contents for inspection.

For other issues, such as missing components or parts, damage not related to shipping, or concealed damage, file a claim with CHAUVET® within 7 days of delivery.

## Manual Conventions

Convention	Meaning
1~512	A range of values in the text
50/60	A set of mutually exclusive values in the text
<SET>	A button on the product's control panel
Settings	A product function or a menu option
<b>MENU&gt;Settings</b>	A sequence of menu options
1~10	A range of menu values from which to choose in a menu
Yes/No	A set of two mutually exclusive menu options in a menu
ON	A unique value to be entered or selected in a menu

## Symbols

Symbols	Meaning
	Critical installation, configuration, or operation information. Failure to comply with this information may cause the product not to work, damage third-party equipment, or cause harm to the operator.
	Important installation or configuration information. Failure to comply with this information may keep the product from working.
	Useful information.



The term “DMX” used throughout this manual refers to the USITT DMX512-A digital data transmission protocol.

## Safety Notes

Read all the following Safety Notes before working with this product. These notes include important information about the installation, usage, and maintenance of this product.



**This product contains no user-serviceable parts. Any reference to servicing in this user manual will only apply to properly trained CHAUVET® certified technicians. Do not open the housing or attempt any repairs.**



All applicable local codes and regulations apply to proper installation of this product.

## Personal Safety

- Avoid direct eye exposure to the light source while the product is on.
- Always disconnect this product from power before servicing.
- Always connect this product to a grounded circuit to avoid the risk of electrocution.
- Do not touch this product's housing when operating because it may be hot.

## Mounting and Rigging

- This product is for indoor use only! To prevent risk of fire or shock, do not expose this product to rain or moisture.
- When hanging this product, always secure to a fastening device using a safety cable (included).
- Always carry this product using the built-in handles.
- Do not leave any flammable material within 50 cm of this product while operating.

## Power and Wiring

- Always make sure you are connecting this product to the proper voltage in accordance with the specifications in this manual or on the product's specification label.
- Never connect this product to a dimmer pack or rheostat.
- Never disconnect this product by pulling or tugging on the power cable.

## Operation

- Do not operate this product if you see damage on the housing, lenses, or cables. In any of these cases, have the damaged parts replaced by an authorized technician at once.
- Do not cover the ventilation slots when the product is operating to avoid internal overheating.
- The maximum ambient temperature (Ta) is 104 °F (40 °C). Do not operate this product at a higher temperature.
- In case of a serious operating problem, stop using this product immediately!



## Expected LED Lifespan

In the unlikely event that your CHAUVET® product may require service, contact CHAUVET® Technical Support.

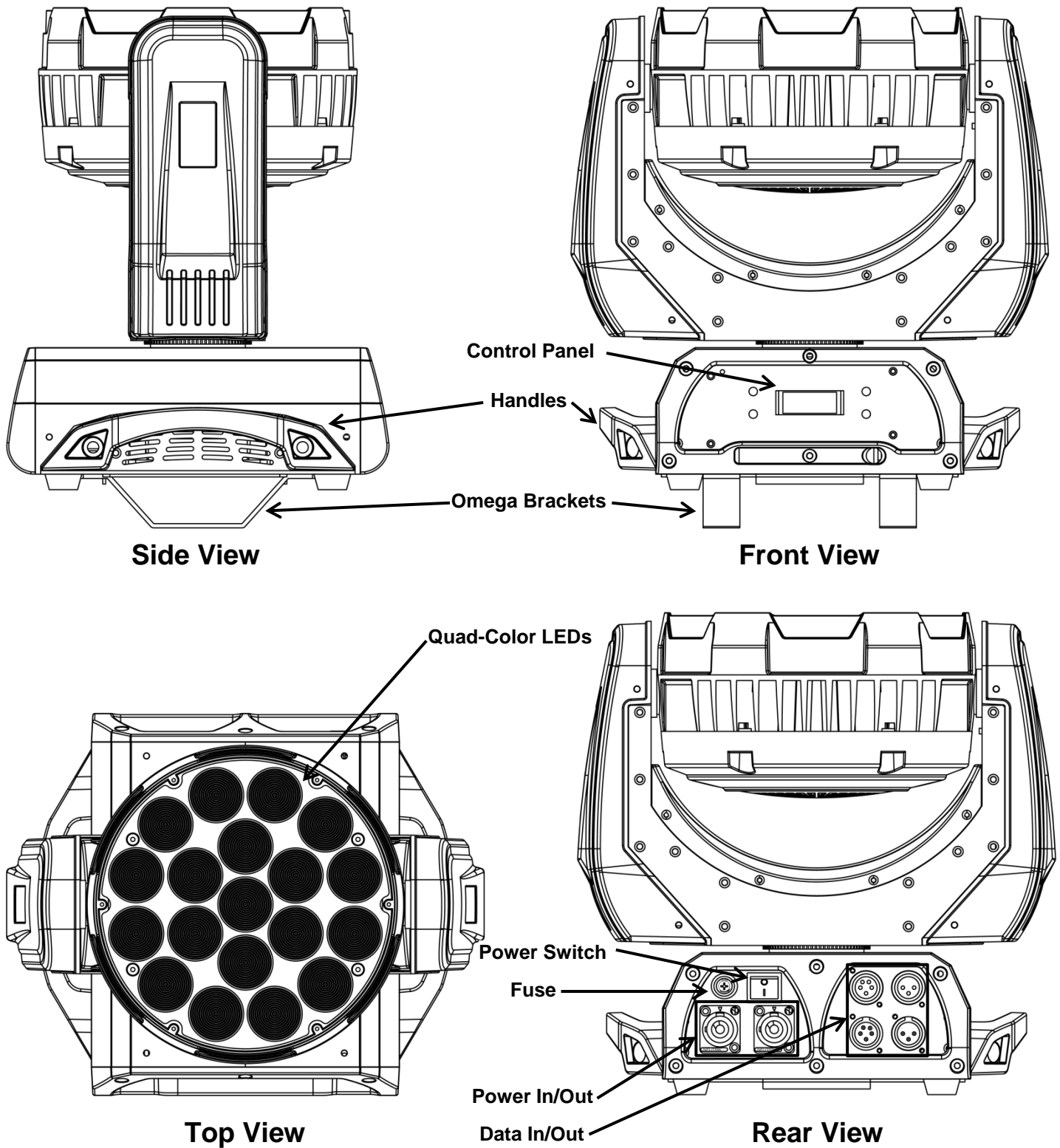
LEDs gradually decline in brightness over time, mostly because of heat. Packaged in clusters, LEDs exhibit higher operating temperatures than in ideal, single-LED conditions. For this reason, using clustered LEDs at their fullest intensity significantly reduces the LEDs' lifespan. Under normal conditions, this lifespan can be 40,000 to 50,000 hours. If extending this lifespan is vital, lower the operating temperature by improving the ventilation around the product and reducing the ambient temperature to an optimal operating range. In addition, limiting the overall projection intensity may also help to extend the LEDs' lifespan.

## 2. Introduction

**Description** The Q-Wash™ 419Z-LED is a high-power quad-color RGBW LED, moving head wash product. This product consists of a base section and a moving yoke with a pan range of up to 540°. The moving head, which has a tilt range of 270°, contains the 19 quad-color RGBW LEDs and the zoom motors. The base section has the 3- and 5-pin DMX input and output sockets, the Neutrik® powerCON® input connector, and the LCD-based control panel.

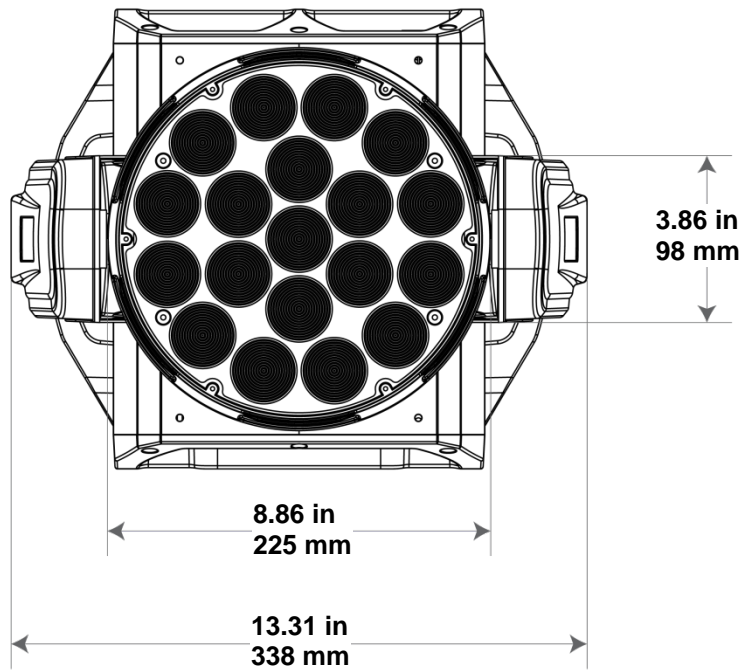
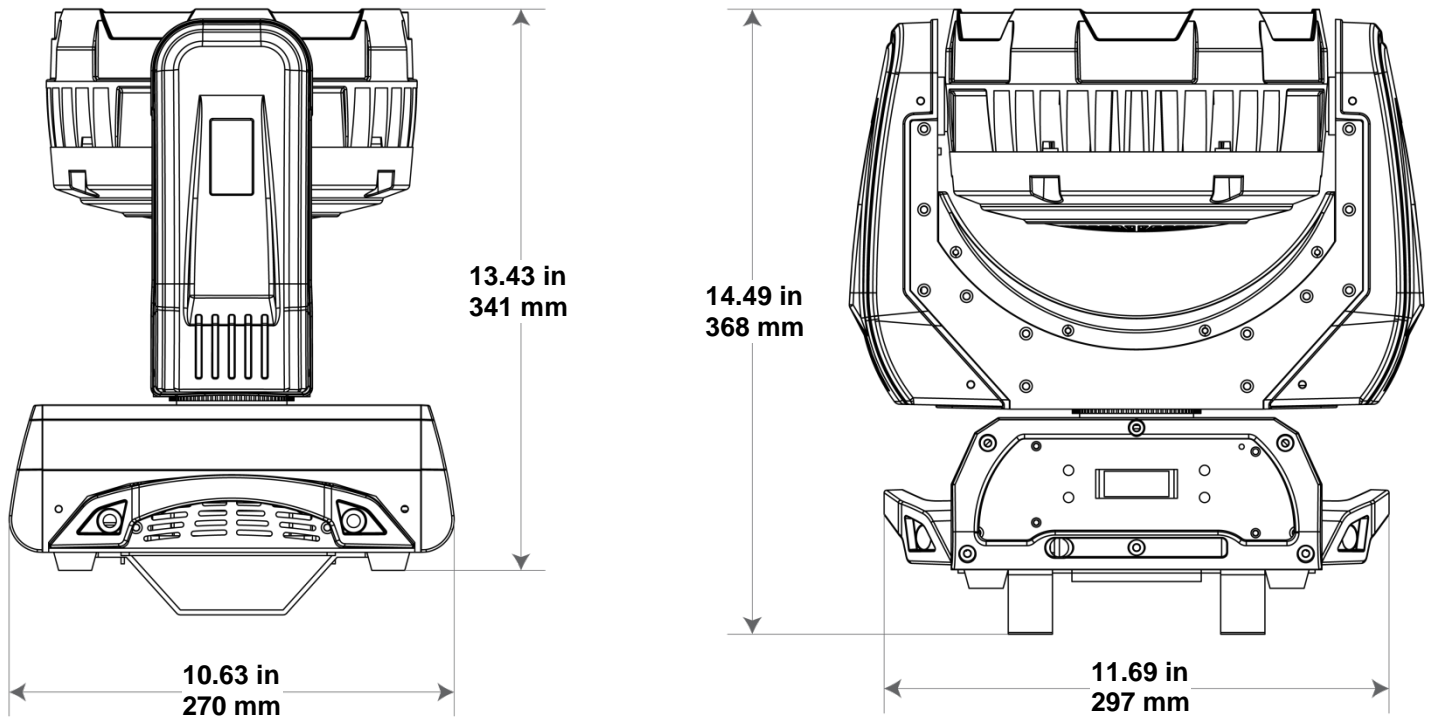
- Features**
- 19 LEDs quad-color RGBW (15 W)
  - Smooth Zoom and Pan/Tilt movement
  - 3 zones of LED control
  - 16 bit control of master dimmer and individual colors
  - Flicker-free operation

## Overview





### Dimensions



### 3. Setup

**AC Power** The Q-Wash™ 419Z-LED has an auto-ranging power supply that works with an input voltage range of 100~240 VAC, 50/60 Hz. To determine the power requirements for each Q-Wash™ 419Z-LED, refer to the label affixed to the product. You can also refer to the [Technical Specifications](#) section in this manual.

The listed current rating indicates the maximum current draw during normal operation. For more information, you may download *Sizing Circuit Breakers* from the CHAUVET® website: [www.chauvetpro.com](http://www.chauvetpro.com).



Always connect this product to a protected circuit with an appropriate electrical ground to avoid the risk of electrocution or fire.



Never connect this product to a rheostat (variable resistor) or dimmer circuit, even if the rheostat or dimmer channel serves only as a 0 to 100% switch.

#### AC Plug

The Q-Wash™ 419Z-LED comes with a power input cord terminated with a Neutrik® powerCON® A connector and an Edison power cord adapter. If the power cord adapter that came with your product has no plug or you need to change the Edison plug, use the table below to wire the new plug.

Connection	Wire (U.S.)	Wire (Europe)	Screw Color
AC Live	Black	Brown	Yellow or Brass
AC Neutral	White	Blue	Silver
AC Ground	Green/Yellow	Green/Yellow	Green

#### Power Linking

The Q-Wash™ 419Z-LED supports power linking. You can power link up to:

- 5 products at 120 VAC,
- 9 products at 208 VAC, or
- 9 products at 230 VAC

This product comes with a power input cord. This product does not come with a power linking cable; however, a power linking cable is available as an option.



Make sure to disconnect the product's power cord before replacing a blown fuse. Always replace the blown fuse with another of the same type and rating.

#### Fuse Replacement

The stand-alone battery charger has no external fuse. However, the flight case/charger comes with a replaceable fuse (T 6.3 A @ 250 V).

To change the fuse on the flight case/charger, do the following:

1. Disconnect the product from the power outlet.
2. With a Phillips #2 head screwdriver, unscrew the fuse holder cap from its housing.
3. Remove the blown fuse and replace it with a good fuse of the same type and rating (T 6.3 A @ 250 V).
4. Screw the fuse holder cap back in its place and reconnect power.



**DMX Linking** You can link the Q-Wash™ 419Z-LED to a DMX controller using a standard DMX serial connection. If using other DMX compatible products with the Q-Wash™ 419Z-LED, you can control each individually with a single DMX controller.

- DMX Modes** The Q-Wash™ 419Z-LED uses the standard DMX data connection for its **PERSON1**, **PERSON2**, **PERSON3**, **PERSON4**, and **PERSON5** DMX modes.
- Refer to the [Introduction](#) section for a brief description of these modes.
  - Refer to the [Operation](#) section to learn how to configure the Q-Wash™ 419Z-LED to work in these modes.
  - The [DMX Values](#) section provides you with detailed information regarding the DMX modes.

**Master/Slave Connectivity** The Master/Slave mode allows a Q-Wash™ 419Z-LED (master product) to control one or more products (slave products) without a DMX controller.

One Q-Wash™ 419Z-LED becomes the master product either when running in static (MANUAL > MANUAL) mode or when using the automatic (STAND ALONE > RUN > AUTO 1~2) or customizable (STAND ALONE > RUN > CUSTOM) programs.

In addition, you must configure each of the slave products (via control panel) to operate in Slave (STAND ALONE > RUN > SLAVE) mode. During Master/Slave operation, the slave products will operate in unison with the master product.

For more information, see [Menu Map](#).



Do not connect a DMX controller to products operating in Master/Slave mode. The DMX controller signals may interfere with the signals from the master product.



- The [Operation](#) section of this manual provides detailed instructions on how to configure the Master and Slave products.
- If you need more information about DMX standards, Master/Slave connectivity, or the DMX cables needed in order to link the product to a DMX controller, download the *DMX Primer* from the CHAUVET® website: [www.chauvetpro.com](http://www.chauvetpro.com).

**Mounting** Before mounting this product, read and follow the [Safety Notes](#).

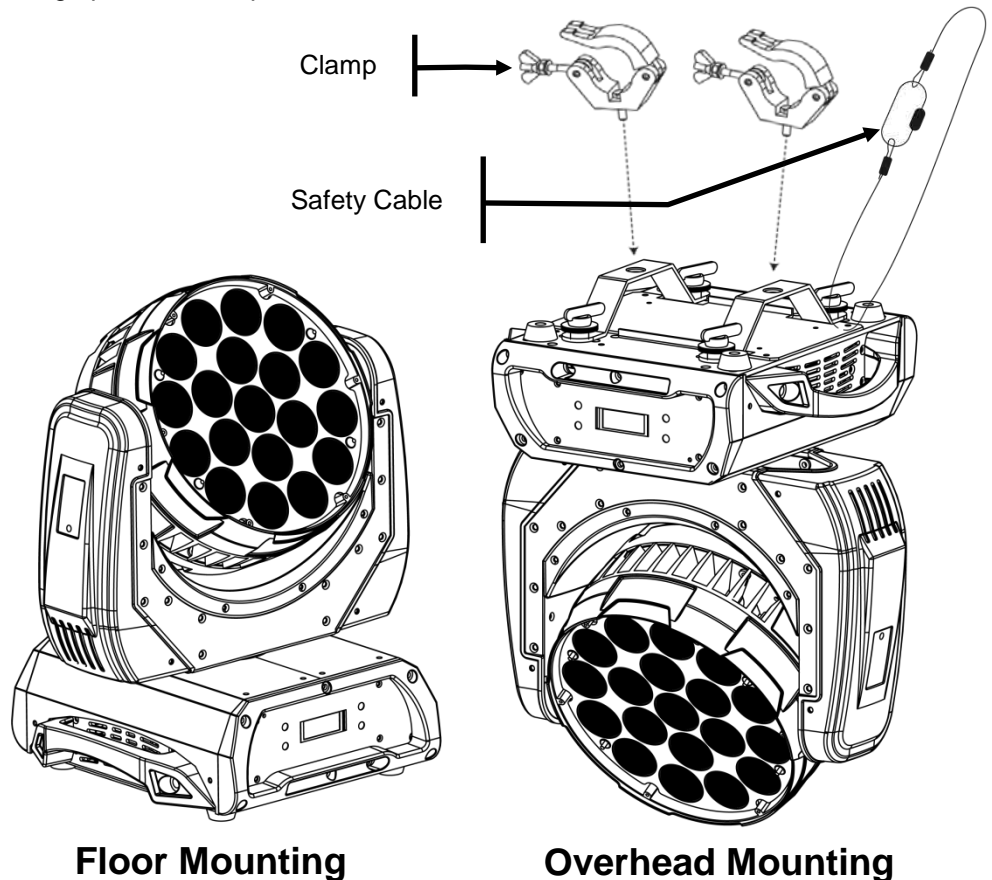
**Orientation** Always mount this product in a safe position and make sure there is adequate room for ventilation, configuration, and maintenance.

**Rigging** CHAUVET® recommends using the following general guidelines when mounting this product.

- When selecting an installation location, consider easy access to this product for operation, programming adjustments, and routine maintenance.
- Make sure to mount this product away from any flammable material as indicated in the [Safety Notes](#).
- Never mount in places where rain, high humidity, extreme temperature changes, or restricted ventilation may affect the product.
- If hanging this product, make sure that the mounting location can support the product's weight. See the [Technical Specifications](#) for the weight-bearing requirements of this product.
- When hanging this product, always secure to a fastening device using a safety cable (included).

**Procedure** The Q-Wash™ 419Z-LED comes with two omega brackets to which you can attach clamps. You must supply your own clamps and make sure that they are capable of supporting the weight of this product. You will have to use two mounting points per product. The omega brackets also serve to anchor this product to a panel. For floor standing operation, this product has built-in rubber feet..

Mounting Diagram



## 4. Operation

### Control Panel Description

Button	Function
<b>MENU</b>	Exits from the current menu or function
<b>ENTER</b>	Enables the currently displayed menu or sets the currently selected value in to the current function
<b>UP</b>	Navigates upward through the menu options and increases the numeric value when in a function
<b>DOWN</b>	Navigates downward through the menu options and decreases the numeric value when in a function

### Control Options

You can set the Q-Wash™ 419Z-LED starting address in the 001 to 512 DMX range. This enables control of up to 15 products in the 34-channel **PERSON5** personality.

### Programming

Refer to the [Menu Map](#) to understand the menu options. The menu map shows the main level and a variable number of programming levels for each option.

- To go to the desired main level, press **MENU** repeatedly until the option shows on the display. Press **ENTER** to select. This will take you to the first programming level for that option.
- To select an option or value within the current programming level, press **UP** or **DOWN** until the option shows on the display. Press **ENTER** to select. In this case, if there is another programming level, you will see that first option, or you will see the selected value.
- Press **MENU** repeatedly to exit to the previous main level.

### Control Panel Display

The Q-Wash™ 419Z-LED allows you to customize what is displayed on the products control panel screen.

1. Choose the screen mode as follows.
  - a. Go to **SETTINGS > PERFORM > HOME SCREEN**.
  - b. Select **DMX** to display only the DMX address or **NAME** to display what is programmed in the **CONTENT** level.
2. Enter the text to be displayed on the screen as follows.
  - a. Go to **SERVICE > CONTENT**.
  - b. Select **DISPLAY1**.
  - c. Use the **UP** and **DOWN** keys to enter up to 16 characters of text.
  - d. Select **DISPLAY2**.
  - e. Use the **UP** and **DOWN** keys to enter up to 16 characters of text.

### Display Backlight

1. Select **SETTINGS > PERFORM > DISPLAY ON**.
  - a. Select **LONG, SHORT, or ALWAYS**.

### Display Invert

1. Select **SETTINGS > PERFORM > DISPLAY INVERT**.
  - a. Select **INVERT** to reverse the display direction or **NORM** to use the normal display direction.

**Control Panel Lock** This setting enables you to activate or disable the control panel lock, which keeps non-authorized personnel from changing the product’s settings.

To secure the **SETTINGS** level only:

1. Go to **SERVICE > ACCESS > SETTINGS LOCK**.
  - a. Select **ON** to require the password to access the level or **OFF** to allow open access.

To secure the **SERVICE** level only:

1. Go to **SERVICE > ACCESS > SERVICE LOCK**.
  - a. Select **ON** to require the password to access the level or **OFF** to allow open access.

To secure all levels of the control panel:

1. Go to **SETTINGS > DISPLAY LOCK**.
  - a. Select **ON** to require the password to the control panel or **OFF** to allow open access.



When the control panel lock is active, the product will prompt you to enter the password after 30 seconds of control panel inactivity or after turning on the product.

**Password** After being prompted to enter the password:

Press **<UP>**, **<DOWN>**, **<UP>**, **<DOWN>**, **<ENTER>**

**DMX Personality** This setting allows you to choose a particular DMX personality.

1. Go to the **PERSON** main level.
2. Select the desired personality (**PERSON1**, **PERSON2**, **PERSON3**, **PERSON4**, or **PERSON5**).



For the highest starting address you can select for each personality, see the [DMX Values](#) section. Verify that the starting addresses on the products do not overlap due to the new personality setting.

**DMX Control** In this mode, each product will respond to a unique starting address from the DMX controller. All products with the same starting address will respond in unison.

1. Select a DMX personality as shown in [DMX Personality](#).
2. Set the running mode:
  - a. Go to the **STAND ALONE > RUN** main level.
  - b. Select the **DMX 512** programming level.
3. Set the starting address:
  - a. Go to **ADDRESS** main level.
  - b. Select the starting address (**001~512**).

The highest recommended starting address for each DMX mode are as follows:



DMX Mode	DMX Address	DMX Mode	DMX Address
<b>PERSON1</b>	503	<b>PERSON4</b>	492
<b>PERSON2</b>	492	<b>PERSON5</b>	479
<b>PERSON3</b>	505		

- Loss of Signal Setting** This setting controls how the product will respond when the DMX signal is lost.
1. Go to the **SETTINGS > PERFORM** level, and select **DMX ERROR**.
    - a. Select **SAVE** to make the product use the last command used when the signal is lost.
    - b. Select **BLACK** to turn off the all the LEDs when the signal is lost.

**Static Control** The Static Color mode allows for permanent RGBW color mixing without a DMX controller.

1. Go to the **MANUAL > MANUAL**.
2. Select **DIMMER**.
  - a. Set the intensity value (**000~255**).
3. Select **RED, GREEN, BLUE, or WHITE**.
  - a. Select the color value (**000~255**).
  - b. Repeat for the other colors.
4. Select **PAN** or **TILT**.
  - a. Set the position value (**000~255**).
  - b. Repeat for the other position.
5. Select **STROBE**.
  - a. Set the frequency value (**000~255**).
6. Select **ZOOM**.
  - a. Set the angle value (**000~255**).

**Auto/Custom Programs** Auto programs allow for dynamic RGBW color mixing without a DMX controller.

1. Go to **STAND ALONE > RUN**.
2. Select the desired auto (**AUTO1, AUTO2**), test (**TEST**), or custom program (**CUSTOM**).

You cannot edit any of the auto or test programs (AUTO1, AUTO2, or TEST).

### Edit Custom Programs

This setting allows the programming of up to 49 steps in the **CUSTOM** running mode.

1. Go to **STAND ALONE > EDIT**.
2. Select **STEP**.
3. Set the program step (**01~49**).
  - a. Select **PAN** or **TILT**.
    - i. Set the position value (**000~255**).
    - ii. Repeat for the other position
  - b. Select **DIMMER**.
    - i. Set the intensity value (**000~255**).
  - c. Select **RED, GREEN, BLUE, or WHITE**.
    - i. Select the color value (**000~255**).
    - ii. Repeat for the other colors.
  - d. Select **STROBE**.
    - i. Set the frequency value (**000~255**).
  - e. Select **ZOOM**.
    - i. Set the angle value (**000~255**).
  - f. Select **TIME**.
    - i. Select the step duration (**000~255**).
  - g. Repeat for the other steps
4. Select **USE**.
  - a. Select **YES** to save the program or **NO** to discard.

### Master/Slave

The Master/Slave mode allows a group of Q-Wash™ 419Z-LEDs (slave products) to simultaneously duplicate the output of another Q-Wash™ 419Z-LED (master product) without a DMX controller.

1. Set each of the slave products:
    - a. Go to **STAND ALONE > RUN**.
    - b. Select **SLAVE**.
  2. Set the master product:
    - a. Set the running mode to **DMX** (see [DMX Control](#)).
    - b. Select an Auto, Custom, or Static program as explained in [Auto/Custom Programs](#) or [Static Control](#).
- The master product is the one that runs a program whether in Auto, Custom, or Static Color mode.
  - Do not connect a DMX controller to the products configured for Master/Slave operation. The DMX controller may interfere with signals from the master product.
  - The master product should be the first product in the daisy chain.





**Fixture Cloning** The Q-Wash™ 419Z-LED gives you 3 ways in which to transfer the settings from 1 Q-Wash™ 419Z-LED to other Q-Wash™ 419Z-LED products when hooked up via DMX daisy chain configuration.

To transfer the **CUSTOM** program only:

1. Go to **STAND ALONE > SEND**.
  - a. Select **YES** to send the program or **NO** to cancel.

To transfer the **CONTENT** program (display text) only:

2. Go to **SERVICE > CONTENT > SEND**.
  - a. Select **YES** to send the program or **NO** to cancel.

To transfer all of the product's software settings:

3. Go to **SETTINGS > SEND**.
  - a. Select **YES** to send the program or **NO** to cancel.



Do not upload the data from a Q-Wash™ 419Z-LED to a different product. The other product may become inoperative.

### Fan Control

The Q-Wash™ 419Z-LED allows you to adjust the fan speed of the product to allow for quiet operation.

1. Go to **SETTINGS > PERFORM > FANS**.
  - a. Select **SLOW, NORMAL, FAST, or AUTO**.



In **AUTO** mode, the product controls the speed of the fan to allow for the most efficient cooling while allowing maximum output. To prevent overheating, using any other fan speed may reduce product output.

### Pan/Tilt Speed

1. Select **SETTINGS > PERFORM > PT SPEED**.
  - a. Select **FAST** for fast movement or **SLOW** to use the normal speed.

### Reverse Pan Direction

1. Select **SETTINGS > PERFORM > PAN INVERT**.
  - a. Select **INVERT** to reverse the pan direction or **NORM** to use the normal pan direction.

### Reverse Tilt Direction

1. Select **SETTINGS > PERFORM > TILT INVERT**.
  - a. Select **INVERT** to reverse the tilt direction or **NORM** to use the normal tilt direction.

### Optics Speed

1. Select **SETTINGS > PERFORM > OPTICS SPEED**.
  - a. Select **FAST** for fast movement or **SLOW** to use the normal speed.

### Reverse Dimmer Direction

1. Select **SETTINGS > PERFORM > DIM INVERT**.
  - a. Select **INVERT** to reverse the dimmer direction or **NORM** to use the normal dimmer direction.

### Head Motion Black Out

1. Select **SETTINGS > PERFORM > BLACKOUT**.
  - a. Select **INSTANT** to black out the output when the head tilts or pans, or **DELAY** to keep the output on while the head moves.

**Color Settings** The Color setting determines how the product generates the white color based on various RGB settings.

1. Go to the **SETTINGS > PERFORM** main level.
2. Select **COLOR**.
3. Select **OFF**, **RGBtoW**, or **UC**.



**OFF:** When all the RGB faders are set to **255**, the output is maximum, although the resulting white color may not be balanced.

**RGBtoW:** When all the RGB faders are set to **255**, the resulting output is defined by the configured White color (see [White Calibration](#)).

**UC:** When all the RGB faders are set to **255**, the output matches that of less efficient products (Universal Color).

**Dimmer Curves** This setting provides you with four options to simulate the dimming curve of an incandescent light product.

1. Go to the **SETTINGS > PERFORM** main level.
2. Select **DIMMER**.
3. Select the desired dimmer curve (**OFF**, **DIM1**, **DIM2**, **DIM3**, or **DIM4**).



**OFF** The output is proportional (linear) to the dimmer and RGBW channel values.

**DIM1~4:** The output follows the dimmer and RGBW channel values based on the corresponding dimmer curve, being DIM1 the fastest and DIM4 the slowest.

**Dimmer Curve Settings** This setting allows you to select the dimmer curve shape using the red, green, blue, white, and dimmer faders.

1. Go to the **SETTINGS > PERFORM** main level.
2. Select **CURV**.
3. Select the desired dimmer curve (**OFF**, **CURV1**, **CURV2**, or **CURV3**).



**OFF** This output is proportional (linear) to the Dimmer and RGBW channel values.

**CV1~3** This output follows the dimmer and RGBW channel values based on the corresponding dimmer curve, being CURV1 the fastest and CURV3 the slowest.

For optimum control of the 16-bit dimming channels in the PERSON2 and PERSON5 personalities, be sure that both dimming curves in **SETTINGS > PERFORM > DIMMER** and **SETTINGS > PERFORM > CURV** are set to **OFF**

- Zoom Position Adjust** This setting adjusts the position of the zoom lens outside the normal limits to allow for tighter beam adjustment at longer distances.
1. Select **SETTINGS > PERFORM > ZOOM POS.**
    - a. Select **BOOST** to adjust the zoom lens for better focusing at longer distances or **NORMAL** to use the factory settings.

- Limit Pan/Tilt Range**
1. Select **SETTINGS > RANGE.**
  2. To set the start and end points of the pan and tilt ranges:
    - a. Select **P.START** and set the pan starting point between **000~255.**
    - b. Select **P.END** and set the pan ending point between **000~255.**
    - c. Select **T.START** and set the tilt starting point between **000~255.**
    - d. Select **T.END** and set the tilt ending point between **000~255.**
  3. Select **USE.**
    - a. Select **YES** to activate the changes or **NO** to cancel.

- Offset Calibration** This option allows you to calibrate the starting points of the Pan, Tilt, and Zoom motors.
1. Select **SERVICE > CALIB.M.**
    - a. Select **PAN.**
      - i. Set the position value (**000~255**).
    - b. Select **TILT.**
      - i. Set the position value (**000~255**).
    - c. Select **ZOOM.**
      - i. Set the position value (**000~255**).

- White Calibration** This setting allows you to select and edit the temperature of the white colors used in channel 14 (Macros) when in the **PERSON2** mode.
1. Select **SERVICE > CALIB.C.**
  2. Select **3200K, 3400K, 4200K, 4900K, 5600K, 5900K, 6500K, 7200K, 8000K, 8500K, or 10000K.**
  3. Select **RED, GREEN, BLUE, or WHITE.**
    - a. Set the position value (**000~255**).
    - b. Repeat for the other colors.
  4. Repeat for other color temperatures.

- Calibrating the White Color** This setting allows you to calibrate the white color when **SETTINGS > PERFORM > COLOR** is set to **RGBtoW** and the DMX controller's red, green, and blue faders are set to "255".
1. Select **SERVICE > CALIB.C.**
  2. Select **RGBTOW**
  3. Select **RED, GREEN, or BLUE.**
    - a. Set the position value (**000~255**).
    - b. Repeat for the other colors.



When selecting **SERVICE > CALIB.C > RGBTOW**, you will only be able to define the values of red, green, and blue.



The values of **RED, GREEN, and BLUE** configured from **SERVICE > CALIB.C > RGBTOW** will define the color temperature shown when the RGB faders are set to "255" if **SETTINGS > PERFORM > COLOR > RGBtoW** is active.

- Product Reset Control** This option allows the product to be reset from the DMX controller or from the display only.
1. Select **SETTINGS > PERFORM > DMX RESET**.
    - a. Select **DMX** to reset the product from a DMX controller or **DISPLAY** to reset the product from the control panel only.

**Reset** The Q-Wash™ 419Z-LED gives you 3 different levels to reset the product.

To reset the Pan and Tilt motors only:

1. Go to **MANUAL > RESET > PT.RESET**.
  - a. Select **YES** to reset or **NO** to exit.

To reset the Zoom motor only:

2. Go to **MANUAL > RESET > OPTIC RESET**.
  - a. Select **YES** to reset or **NO** to exit.

To reset the all the motors:

3. Go to **MANUAL > RESET > ALL RESET**.
  - a. Select **YES** to reset or **NO** to exit.

**Custom Program Reset** This option allows you to reset only the custom programs back to the factory defaults.

1. Go to **SERVICE > ServiceRecovery**.
  - a. Enter the Password as described in [Password](#).

**Reset to Factory Default** This option allows you to reset all the product's settings to the factory defaults.

1. Go to **SETTINGS > DEFAULT**.
  - a. Enter the Password as described in [Password](#).

**Software Version** 1. Go to **INFO > SOFTWARE**.

## Menu Map

Main Level	Programming Levels		Description	
ADDRESS	000-512		Sets the DMX starting address	
PERSON	PERSON1		10-Channel mode	
	PERSON2		21-Channel mode	
	PERSON3		8-Channel mode	
	PERSON4		21-Channel mode	
	PERSON5		34-Channel mode	
SETTINGS	PERFORM	FANS	SLOW	Selects the fan's operation mode.
			NORM	
			FAST	
			AUTO	
		PT SPEED	FAST	Defines the speed of the pan/tilt
			SLOW	
		PAN INVERT	NORM	Defines the direction of the pan fader
			INVERT	
		TILT INVERT	NORM	Defines the direction of the tilt fader
			INVERT	
		OPTICS SPEED	FAST	Defines the speed of the zoom
			SLOW	
		BLACKOUT	DELAY	Activates the move-in black delay (3 sec)
			INSTANT	
		DIMMER	DIM4	Slow ( <b>DIM4</b> ) to fast ( <b>DIM1</b> ) dimmer curves
			DIM3	
			DIM2	
			DIM1	
		CURV	OFF	Linear dimmer/no dimmer function
			CURV3	Slow ( <b>CURV3</b> ) to fast ( <b>CURV1</b> ) dimmer curves
CURV2				
CURV1				
OFF	No dimmer			

**Menu Map (Cont.)**

Main Level	Programming Levels		Description	
SETTINGS (cont.)	PERFORM (cont.)	DIM INVERT	NORM	Defines the direction of the dimmer fader
			INVERT	
		COLOR	UC	Universal color balance
			RGBtoW	RGB set to "255" = balanced white
			OFF	RGB set to "255" = max. output
		DMX ERROR	SAVE	Continues with last command upon loss of DMX control
			BLACK	Blacks out fixture upon loss of DMX signal
		DMX RESET	DMX	The DMX controller resets the product
			DISPLAY	The control panel resets the product
		DISPLAY ON	LONG	Determines how long the backlight of the display will stay on after last command button pressed
			SHORT	
			ALWAYS	
		HOME SCREEN	DMX	Displays DMX address
			NAME	Displays what is programmed via <b>SERVICE &gt; CONTENT</b> level
	DISPLAY INVERT	NORM	Allows the display on the control panel to be inverted	
		INVERT		
	ZOOM POS.	NORMAL	Zoom lens is set to factory default	
		BOOST	Sets the zoom lens to perform better at longer distances	
	RANGE	P.START	000~255	Sets the pan start point (pan range)
		P.END		Sets the pan end point (pan range)
T.START		Sets the tilt start point (tilt range)		
T.END		Sets the tilt end point (tilt range)		
USE		NO YES	Activates the changes	
DISPLAY LOCK	OFF		Activates/deactivates the main level password	
	ON			
DEFAULT	**** (Enter Password)		Resets fixture to factory default settings	
SEND	NO		Sends <b>ALL</b> settings of the 1st product to all other Q-Wash™ 419Z-LEDs connected to the DMX output	
	YES			

**Menu Map (Cont.)**

Main Level	Programming Levels		Description	
STAND ALONE	RUN	DMX 512	Selects DMX running mode	
		AUTO1	Selects the first automatic program	
		AUTO2	Selects the second automatic program	
		CUSTOM	Selects a user customizable program	
		TEST	Starts the product's test sequence	
		SLAVE	Selects the Slave running mode	
	EDIT	STEP	01~49	Selects the program step
		PAN	000~255	Selects the pan position
		TILT		Selects the tilt position
		RED		Combines red, green, blue, and white to obtain a custom color
		GREEN		
		BLUE		
		WHITE		
		DIMMER		Selects the dimmer value
		STROBE		Selects the strobe frequency
		ZOOM		Select the zoom position
		TIME		Selects the step duration
		USE	NO	Activates the changes
	YES			
	SEND	NO	Sends <b>CUSTOM</b> settings of the 1st product to all other Q-Wash™ 419Z-LEDs connected to the DMX output	
YES				
INFO	SOFTWARE	V.X.X	Shows version of software installed	
MANUAL	RESET	ALL RESET	NO	Resets fixture to home settings
			YES	
		PT.RESET	NO	Resets the Pan/Tilt to home settings
			YES	
		OPTIC RESET	NO	Resets the Zoom to home settings
			YES	

**Menu Map (Cont.)**

Main Level	Programming Levels			Description	
MANUAL (cont.)	MANUAL	PAN	000~255	Allows manual control of all settings from control panel	
		TILT			
		RED			
		GREEN			
		BLUE			
		WHITE			
		DIMMER			
		STROBE			
		ZOOM			
SERVICE	CALIB.M	PAN	000~255	Calibrates the start position of the motors	
		TILT			
		ZOOM			
	CALIB.C	3200K	RED	000~255	Sets color temperature for <b>White 1</b>
			GREEN		
			BLUE		
			WHITE		
		3400K	RED		Sets color temperature for <b>White 2</b>
			GREEN		
			BLUE		
			WHITE		
		4200K	RED		Sets color temperature for <b>White 3</b>
			GREEN		
			BLUE		
			WHITE		
4900K	RED	Sets color temperature for <b>White 4</b>			
	GREEN				
	BLUE				
	WHITE				
5600K	RED	Sets color temperature for <b>White 5</b>			
	GREEN				
	BLUE				
	WHITE				
5900K	RED	Sets color temperature for <b>White 6</b>			
	GREEN				
	BLUE				
	WHITE				



**Menu Map (Cont.)**

Main Level	Programming Levels			Description	
SERVICE (cont.)	CALIB.C (cont.)	6500K	RED	000~255	Sets color temperature for <b>White 7</b>
			GREEN		
			BLUE		
			WHITE		
		7200K	RED		Sets color temperature for <b>White 8</b>
			GREEN		
			BLUE		
			WHITE		
		8000K	RED		Sets color temperature for <b>White 9</b>
			GREEN		
			BLUE		
			WHITE		
		8500K	RED		Sets color temperature for <b>White 10</b>
			GREEN		
			BLUE		
			WHITE		
	10000K	RED	Sets color temperature for <b>White 11</b>		
		GREEN			
		BLUE			
		WHITE			
RGBTOW	RED	Defines the color temperature used when <b>COLOR</b> is set to <b>RGBtoW</b>			
	GREEN				
	BLUE				
ACCESS	SETTINGS LOCK	OFF	Activates/deactivates the <b>SETTINGS</b> main level password		
		ON			
	SERVICE LOCK	OFF	Activates/deactivates the <b>SERVICE</b> main level password		
		ON			
CONTENT	DISPLAY1	*****	Allows 16 characters of text to be displayed on control panel		
	DISPLAY2	*****			
	SEND	NO	Sends <b>CONTENT</b> settings of the 1st product to all other Q-Wash™ 419Z-LEDs connected to the DMX output		
		YES			
Service Recovery	**** (Enter Password)		Resets all custom modes to default values		

## DMX Values

PERSON1	Channel	Function	Value	Percent/Setting
	1	Pan	000 ó 255	0~100%
	2	Tilt	000 ó 255	0~100%
	3	Red	000 ó 255	0~100%
	4	Green	000 ó 255	0~100%
	5	Blue	000 ó 255	0~100%
	6	White	000 ó 255	0~100%
	7	Dimmer	000 ó 255	0~100%
	8	Strobe	000 ó 009 010 ó 255	No Function 0~100%
	9	Zoom	000 ó 255	0~100%
	10	Control	000 ó 019 020 ó 039 040 ó 059 060 ó 079 080 ó 099 100 ó 119 120 ó 139 140 ó 149 150 ó 159 160 ó 169 170 ó 179 180 ó 199 200 ó 219 220 ó 235 236 ó 239 240 ó 243 244 ó 247 248 ó 251 252 ó 255	No Function Pan/tilt black activation Pan/tilt black deactivation Automatic fan speed Slow fan speed Normal fan speed High fan speed Auto program 1 (3 s activation delay) Auto program 2 (3 s activation delay) Test (3 s activation delay) Custom program (3 s activation delay) No Function Reset (3 s activation delay) No Function DIM0 (3 s activation delay) DIM1 (3 s activation delay) DIM2 (3 s activation delay) DIM3 (3 s activation delay) DIM4 (3 s activation delay)

DMX Values (Cont.)

PERSON2	Channel	Function	Value	Percent/Setting
	1	Pan	000 ó 255	0~100%
	2	Pan Fine	000 ó 255	0~100%
	3	Tilt	000 ó 255	0~100%
	4	Tilt Fine	000 ó 255	0~100%
	5	Pan/Tilt Speed	000 ó 255	0~100%
	6	Red	000 ó 255	0~100%
	7	Red Fine	000 ó 255	0~100%
	8	Green	000 ó 255	0~100%
	9	Green Fine	000 ó 255	0~100%
	10	Blue	000 ó 255	0~100%
	11	Blue Fine	000 ó 255	0~100%
	12	White	000 ó 255	0~100%
	13	White Fine	000 ó 255	0~100%
			000 ó 010	No Function
			011 ó 030	R: 100% G: 0~100% B: 0
			031 ó 050	R: 100%~0 G: 100%B: 0
			051 ó 070	R: 0 G: 100%B: 0~100%
			071 ó 090	R: 0 G: 100%~0 B: 100%
			091 ó 110	R: 0~100% G: 0 B: 100%
			111 ó 130	R: 100% G: 0 B: 100%~0
			131 ó 150	R: 100% G: 0~100% B: 0~100%
			151 ó 170	R: 100%~0 G: 100%~0 B: 100%
			171 ó 200	R: 100% G: 100%B: 100% W:100%
14		Color/White Macro	201 ó 205	White 1
			206 ó 210	White 2
			211 ó 215	White 3
			216 ó 220	White 4
			221 ó 225	White 5
			226 ó 230	White 6
			231 ó 235	White 7
			236 ó 240	White 8
			241 ó 245	White 9
			246 ó 250	White 10
			251 ó 255	White 11

DMX Values (Cont.)

PERSON2 (cont.)	Channel	Function	Value	Percent/Setting
PERSON2 (cont.)	15	Auto Rings	000 ó 009	No Function
			010 ó 019	Static Ring 1
			020 ó 029	Static Ring 2
			030 ó 039	Static Ring 3
			040 ó 049	Ring Effect 1
			050 ó 059	Ring Effect 2
			060 ó 069	Ring Effect 3
			070 ó 079	Ring Effect 4
			080 ó 089	Ring Effect 5
			090 ó 099	Ring Effect 6
			100 ó 109	Ring Effect 7
			110 ó 119	Ring Effect 8
			120 ó 129	Ring Effect 9
			130 ó 139	Ring Effect 10
			140 ó 149	Ring Effect 11
			150 ó 159	Ring Effect 12
			160 ó 169	Ring Effect 13
			170 ó 179	Ring Effect 14
			180 ó 189	Static Ring 4
			190 ó 199	Static Ring 5
			200 ó 209	Static Ring 6
			210 ó 219	Static Ring 7
			220 ó 229	Static Ring 8
			230 ó 239	Static Ring 9
			240 ó 249	Static Ring 10
			250 ó 255	RGBW: 100%
16	Auto Speed	000 ó 255	0~100%	
17	Dimmer	000 ó 255	0~100%	
18	Dimmer Fine	000 ó 255	0~100%	
19	Strobe	000 ó 009	No Function	
		010 ó 255	00~20 Hz	
20	Zoom	000 ó 255	0~100%	
PERSON2 (cont.)	21	Control	000 ó 019	No Function
			020 ó 039	Pan/tilt black activation
			040 ó 059	Pan/tilt black deactivation
			060 ó 079	Automatic fan speed
			080 ó 099	Slow fan speed
			100 ó 119	Normal fan speed
			120 ó 139	High fan speed
			140 ó 149	Auto program 1 (3 s activation delay)
			150 ó 159	Auto program 2 (3 s activation delay)
			160 ó 169	Test (3 s activation delay)
			170 ó 179	Custom program (3 s activation delay)
			180 ó 199	No Function
			200 ó 219	Reset (3 s activation delay)
			220 ó 235	No Function
			236 ó 239	DIM0 (3 s activation delay)
			240 ó 243	DIM1 (3 s activation delay)
			244 ó 247	DIM2 (3 s activation delay)
			248 ó 251	DIM3 (3 s activation delay)
			252 ó 255	DIM4 (3 s activation delay)

## DMX Values (Cont.)

PERSON3	Channel	Function	Value	Percent/Setting
	1	Pan	000 ó 255	0~100%
	2	Tilt	000 ó 255	0~100%
	3	Hue	000 ó 255	0~100%
	4	Saturation	000 ó 255	0~100%
	5	Value	000 ó 255	0~100%
	6	Strobe	000 ó 009 010 ó 255	No Function 00~20 Hz
	7	Zoom	000 ó 255	0~100%
	8	Control	000 ó 019 020 ó 039 040 ó 059 060 ó 079 080 ó 099 100 ó 119 120 ó 139 140 ó 149 150 ó 159 160 ó 169 170 ó 179 180 ó 199 200 ó 219 220 ó 235 236 ó 239 240 ó 243 244 ó 247 248 ó 251 252 ó 255	No Function Pan/tilt black activation Pan/tilt black deactivation Automatic fan speed Slow fan speed Normal fan speed High fan speed Auto program 1 (3 s activation delay) Auto program 2 (3 s activation delay) Test (3 s activation delay) Custom program (3 s activation delay) No Function Reset (3 s activation delay) No Function DIM0 (3 s activation delay) DIM1 (3 s activation delay) DIM2 (3 s activation delay) DIM3 (3 s activation delay) DIM4 (3 s activation delay)

**DMX Values (Cont.)**

<b>PERSON4</b>	<b>Channel</b>	<b>Function</b>	<b>Value</b>	<b>Percent/Setting</b>
	1	Pan	000 ó 255	0~100%
	2	Pan Fine	000 ó 255	0~100%
	3	Tilt	000 ó 255	0~100%
	4	Tilt Fine	000 ó 255	0~100%
	5	Pan/Tilt Speed	000 ó 255	0~100%
	6	Dimmer	000 ó 255	0~100%
	7	Strobe	000 ó 009 010 ó 255	No Function 00~20 Hz
	8	Zoom	000 ó 255	0~100%
	9	Control	000 ó 019	No Function
			020 ó 039	Pan/tilt black activation
			040 ó 059	Pan/tilt black deactivation
			060 ó 079	Automatic fan speed
			080 ó 099	Slow fan speed
			100 ó 119	Normal fan speed
			120 ó 139	High fan speed
			140 ó 149	Auto program 1 (3 s activation delay)
			150 ó 159	Auto program 2 (3 s activation delay)
			160 ó 169	Test (3 s activation delay)
			170 ó 179	Custom program (3 s activation delay)
			180 ó 199	No Function
			200 ó 219	Reset (3 s activation delay)
			220 ó 235	No Function
	236 ó 239	DIM0 (3 s activation delay)		
	240 ó 243	DIM1 (3 s activation delay)		
	244 ó 247	DIM2 (3 s activation delay)		
	248 ó 251	DIM3 (3 s activation delay)		
	252 ó 255	DIM4 (3 s activation delay)		
	10	Red 1	000 ó 255	0~100%
	11	Green 1	000 ó 255	0~100%
	12	Blue 1	000 ó 255	0~100%
	13	White 1	000 ó 255	0~100%
	14	Red 2	000 ó 255	0~100%
	15	Green 2	000 ó 255	0~100%
	16	Blue 2	000 ó 255	0~100%
	17	White 2	000 ó 255	0~100%
	18	Red 3	000 ó 255	0~100%
	19	Green 3	000 ó 255	0~100%
	20	Blue 3	000 ó 255	0~100%
	21	White 3	000 ó 255	0~100%

## DMX Values (Cont.)

PERSON5	Channel	Function	Value	Percent/Setting
	1	Pan	000 ó 255	0~100%
	2	Pan Fine	000 ó 255	0~100%
	3	Tilt	000 ó 255	0~100%
	4	Tilt Fine	000 ó 255	0~100%
	5	Pan/Tilt Speed	000 ó 255	0~100%
	6	Dimmer	000 ó 255	0~100%
	7	Dimmer Fine	000 ó 255	0~100%
	8	Strobe	000 ó 009 010 ó 255	No Function 00~20 Hz
	9	Zoom	000 ó 255	0~100%
	10	Control	000 ó 019 020 ó 039 040 ó 059 060 ó 079 080 ó 099 100 ó 119 120 ó 139 140 ó 149 150 ó 159 160 ó 169 170 ó 179 180 ó 199 200 ó 219 220 ó 235 236 ó 239 240 ó 243 244 ó 247 248 ó 251 252 ó 255	No Function Pan/tilt black activation Pan/tilt black deactivation Automatic fan speed Slow fan speed Normal fan speed High fan speed Auto program 1 (3 s activation delay) Auto program 2 (3 s activation delay) Test (3 s activation delay) Custom program (3 s activation delay) No Function Reset (3 s activation delay) No Function DIM0 (3 s activation delay) DIM1 (3 s activation delay) DIM2 (3 s activation delay) DIM3 (3 s activation delay) DIM4 (3 s activation delay)
	11	Red 1	000 ó 255	0~100%
	12	Red 1 Fine	000 ó 255	0~100%
	13	Green 1	000 ó 255	0~100%
	14	Green 1 Fine	000 ó 255	0~100%
	15	Blue 1	000 ó 255	0~100%
	16	Blue 1 Fine	000 ó 255	0~100%
	17	White 1	000 ó 255	0~100%
	18	White 1 Fine	000 ó 255	0~100%

**DMX Values (Cont.)**

**PERSON5  
(cont.)**

Channel	Function	Value	Percent/Setting
19	Red 2	000 ó 255	0~100%
20	Red 2 Fine	000 ó 255	0~100%
21	Green 2	000 ó 255	0~100%
22	Green 2 Fine	000 ó 255	0~100%
23	Blue 2	000 ó 255	0~100%
24	Blue 2 Fine	000 ó 255	0~100%
25	White 2	000 ó 255	0~100%
26	White 2 Fine	000 ó 255	0~100%
27	Red 3	000 ó 255	0~100%
28	Red 3 Fine	000 ó 255	0~100%
29	Green 3	000 ó 255	0~100%
30	Green 3 Fine	000 ó 255	0~100%
31	Blue 3	000 ó 255	0~100%
32	Blue 3 Fine	000 ó 255	0~100%
33	White 3	000 ó 255	0~100%
34	White 3 Fine	000 ó 255	0~100%



## 5. Technical Information

### Product Maintenance

To maintain optimum performance and minimize wear, you should clean this product frequently. Usage and environment are contributing factors in determining the cleaning frequency.

As a rule, clean this product at least twice a month. Dust build-up reduces light output performance and can cause overheating. This can lead to reduced light source life and increased mechanical wear.

To clean your product:

- Unplug the product from power.
- Wait until the product is at room temperature.
- Use a vacuum (or dry compressed air) and a soft brush to remove dust collected on the external vents and accessible internal components.
- Clean all external surfaces with a mild solution of non-ammonia glass cleaner or isopropyl alcohol.
- Apply the solution directly to a soft, lint-free cotton cloth or a lens cleaning tissue.
- Wipe any dirt or grime to the outside edges of the lens surface.
- Gently polish the lens surfaces until they are free of haze and lint.



Always dry the external surfaces thoroughly and carefully after cleaning them.

### Returns

You must send the product prepaid, in the original box, and with the original packing and accessories. CHAUVET® will not issue call tags.

Call CHAUVET® and request a Return Merchandise Authorization (RMA) number before shipping the product. Be prepared to provide the model number, serial number, and a brief description of the cause(s) for the return.

Clearly label the package with an RMA number. CHAUVET® will refuse any product returned without an RMA number.



Do not write the RMA number directly on the box. Instead, write it on a properly affixed label.

Once you have received the RMA number, include the following information on a piece of paper inside the box:

- Your name
- Your address
- Your phone number
- The RMA number
- A brief description of the problem(s)

Be sure to pack the product properly. Any shipping damage resulting from inadequate packaging will be the customer's responsibility. FedEx packing or double-boxing are recommended.



CHAUVET® reserves the right to use its own discretion to repair or replace returned product(s).

## Technical Specifications

<b>Dimensions and Weight</b>	<b>Length</b>	<b>Width</b>	<b>Height</b>	<b>Weight</b>	
	11.6 in (297 mm)	10.6 in (270 mm)	14.5 in (369 mm)	22 lb (10 kg)	
<b>Note:</b> Dimensions in inches rounded to the nearest decimal digit.					
<b>Power</b>	<b>Power Supply Type</b>	<b>Range</b>	<b>Voltage Selection</b>		
	Switching (Internal)	100~240 V, 50/60 Hz	Auto-ranging		
<b>Power</b>	<b>Parameter</b>	<b>120 V, 60 Hz</b>	<b>230 V, 50 Hz</b>		
	Consumption	322 W	304 W		
	Operating	2.64 A	1.4 A		
	Fuse	6.3 A, 250 V	6.3 A, 250 V		
	Power Linking	5 products	9 products		
	<b>Power I/O</b>	<b>U.S./Worldwide</b>	<b>Europe</b>		
	Power input connector	Neutrik® powerCON® A	Neutrik® powerCON® A		
	Power output connector	Neutrik® powerCON® B	Neutrik® powerCON® B		
	Power cord plug	Edison (U.S.)	Local plug		
	<b>Light Source</b>	<b>Type</b>	<b>Power</b>	<b>Lifespan</b>	
LED		15 W	50,000 hours		
<b>Color</b>		<b>Quantity</b>	<b>Current</b>		
<b>Light Source</b>	quad-color RGBW	19	1 A		
	<b>Photo Optic</b>	<b>Parameter</b>	<b>Narrow</b>	<b>Wide</b>	
		Illuminance @ 5 m	3,046 lx	743 lx	
Beam angle		7°	25°		
Field angle		16°	37°		
<b>Thermal</b>	<b>Max. External Temperature</b>	<b>Cooling System</b>			
	104 °F (40 °C)	Fan-Assisted Convection			
<b>DMX</b>	<b>I/O Connectors</b>	<b>Connector Type</b>	<b>Channel Range</b>		
	3- and 5-pin XLR	Sockets	8,10,21,21,34		
<b>Ordering</b>	<b>Product Name</b>	<b>Item Code</b>	<b>UPC Number</b>		
	Q-Wash™ 419Z-LED	01010722	781462210700		

## Contact Us

### World Headquarters CHAUVET®

#### General Information

Address: 5200 NW 108th Avenue  
Sunrise, FL 33351  
Voice: (954) 577-4455  
Fax: (954) 741-5571  
Toll free: (800) 762-1084

#### Technical Support

Voice: (954) 577-4455 (Press 4)  
Fax: (954) 756-8015  
Email: [tech@chauvetlighting.com](mailto:tech@chauvetlighting.com)

#### World Wide Web

[www.chauvetlighting.com](http://www.chauvetlighting.com)

### United Kingdom and Ireland CHAUVET® Europe Ltd.

#### General Information

Address: Unit 1C  
Brookhill Road Industrial Estate  
Pinxton, Nottingham, UK  
NG16 6NT  
Voice: +44 (0)1773 511115  
Fax: +44 (0)1773 511110

#### Technical Support

Email: [uktech@chauvetlighting.com](mailto:uktech@chauvetlighting.com)

#### World Wide Web

[www.chauvetlighting.co.uk](http://www.chauvetlighting.co.uk)

Outside the U.S., United Kingdom, or Ireland, contact your dealer. Follow their instructions to request support or to return a product. Visit our website for contact details.



UL 1573  
CSA C22.2 No. 166  
E113093