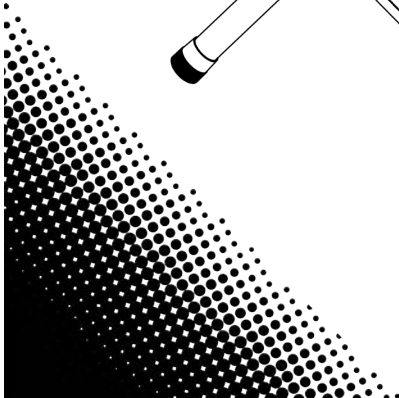
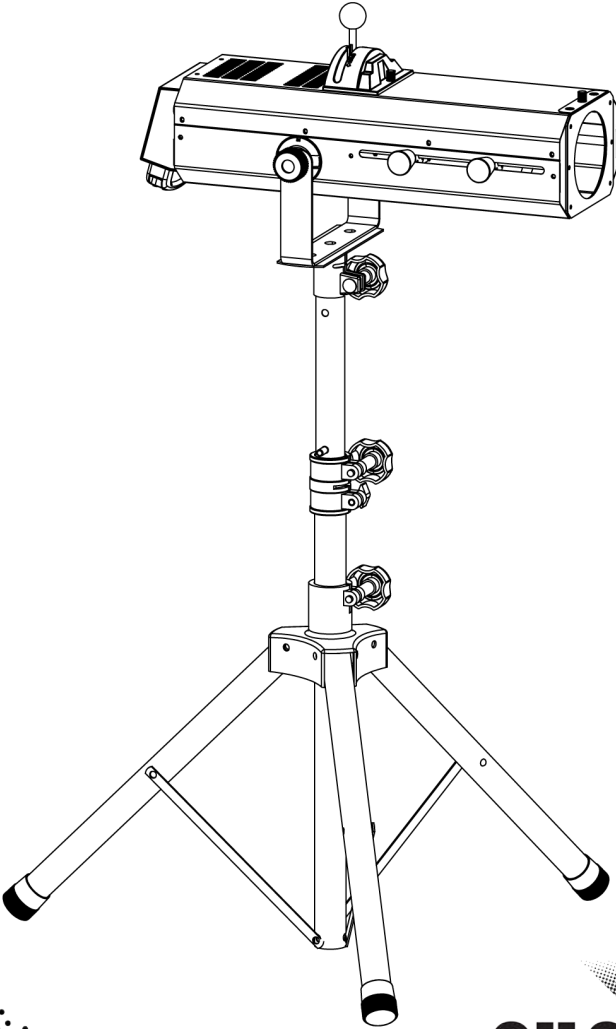


# LED FOLLOWSPOT 755T

## Quick Reference Guide



### About this Guide

The LED Followspot 75ST Quick Reference Guide (QRG) contains the product's connection and mounting information as well as the menu options and the DMX values.

### Disclaimer

- This Quick Reference Guide DOES NOT replace the product's user manual, which you can download from the CHAUVET® Web site ([www.chauvetlighting.com](http://www.chauvetlighting.com)).
- You must read ALL the disclaimers and safety notes in this document as well as those in the product's user manual before installing, operating, or maintaining this product.

### Safety Notes

Please read the following notes carefully **before** starting to work with this product. They include important safety information about its installation, usage, and maintenance.



- Always connect this product to a grounded circuit to avoid the risk of electrocution.
- Always disconnect this product from the power source before cleaning it or replacing the fuse.
- Avoid direct eye exposure to the light source while the fixture is on.
- Make sure the power cord is not crimped or damaged.
- Make sure there are no flammable materials close to the unit while operating.
- Do not touch this product's housing when operating because it may be very hot.



- Always make sure that the voltage of the outlet to which you are connecting this product is within the range stated on the decal or rear panel of the fixture.
- This product is for indoor use only! (IP20) To prevent risk of fire or shock, do not expose this fixture to rain or moisture.
- Never connect this product to a dimmer pack.
- Make sure to replace the fuse with another of the same type and rating.
- Never carry this product from the power cord or any moving part. Always use the hanging/mounting bracket or the handles.
- The maximum ambient temperature (Ta) is 104° F (40° C). Do not operate this product at higher temperatures.
- In the event of a serious operating problem, stop using the unit immediately.
- Never try to repair this product. Repairs carried out by unskilled people can lead to damage or malfunction. Please contact the nearest authorized technical assistance center.

**What is Included**

- LED Followspot 75ST
- Power Cord
- Tripod
- Warranty Card
- Quick Reference Guide

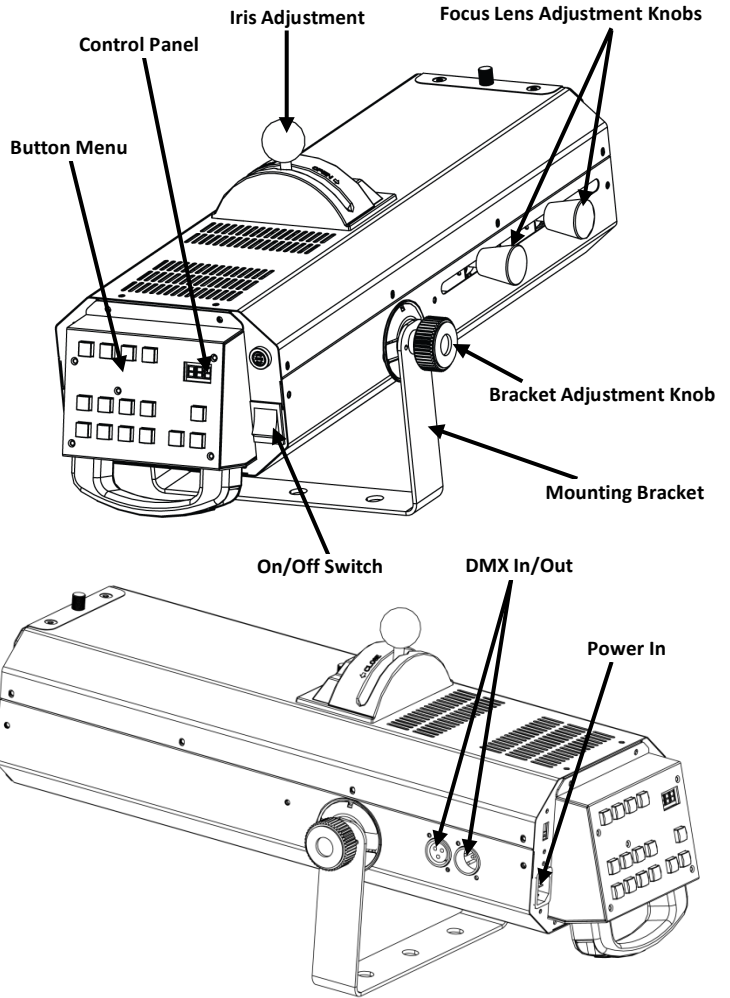
**Before You Begin**

Prior to using your LED Followspot 75ST, ensure that you have received all parts indicated above in good condition. If the container or material inside appear damaged or show signs of mishandling, notify the carrier immediately, not CHAUVET®.

**Product Description**

The LED Followspot 75ST is a portable, LED-powered fixture that offers DMX or manual controls to suit a variety of needs. Super smooth LED dimming and an extremely fast electronic strobe makes it a fantastic beam for any performance.

Product Overview



**AC Power** This product has a switchable power supply that can work with an input voltage of 115 VAC or 230 VAC, 50/60 Hz.

- Fuse Replacement**
1. Disconnect this product from power.
  2. Using a Phillips #2 head screwdriver, unscrew the fuse holder cap from the housing.
  3. Remove the blown fuse.
  4. Replace with a good fuse of the same type and rating.
  5. Screw the fuse holder cap back in place and reconnect power.

**Programming** For details on how to program this product, please refer to the product’s user manual.

**Control Panel Description**

Button	Function
<POWER SWITCH>	Turns power on and off.
<DIMMER MAX>	Opens dimmer to a maximum of 100% (hold to raise percentage).
<DIMMER MIN>	Closes dimmer to a maximum of 0% (hold to lower percentage).
<SHUTTER ON>	Turns LED on (default setting).
<BLACK OUT>	Turns LED off.
<ORANGE>	Projects orange color.
<CYAN>	Projects cyan color.
<RED>	Projects red color.
<GREEN>	Projects green color.
<MAGENTA>	Projects magenta color.
<YELLOW>	Projects yellow color.
<BLUE>	Projects blue color.
<WHITE>	Projects white light.
<FUNCTION SELECT>	Selects Manual or DMX Mode.
<UP>	In DMX Mode, moves channel number up.
<DOWN>	In DMX Mode, moves channel number down.

**Menu Options**

Main Level	Programming Levels	Description
1. Manual Mode	NAn	Selects Manual Mode.
2. DMX Address	001   001-512	Sets the DMX starting address

**DMX Linking** The LED Followspot 75ST can work with a DMX controller when linked using a regular DMX serial connection.

If you are not familiar with the DMX standard, please download the *DMX Primer* document from [www.chauvetlighting.com](http://www.chauvetlighting.com).

**DMX Connection** The LED Followspot 75ST uses a regular DMX data connection for its 3-channel DMX personality.

Download the LED Followspot 75ST user manual and refer to the *Setup* chapter to learn how to connect this fixture for DMX operation, and the *Operation Instructions* chapter to learn in detail how to configure this fixture for DMX operation.

**Start Address** To ensure full access to all channels in each DMX mode, the highest recommended DMX address is **510**.

**Master/Slave Connection** The LED Followspot 75ST uses the DMX data connection for its Master/Slave mode.

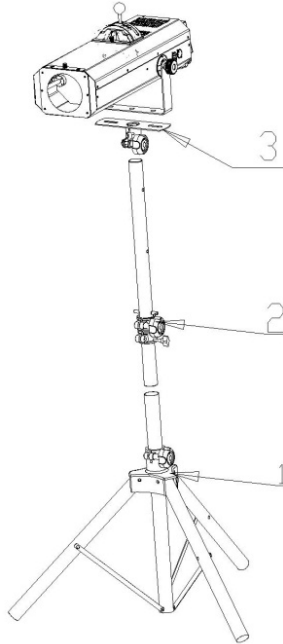
Download the LED Followspot 75ST user manual and refer to the *Setup* chapter to learn how to connect this fixture for Master/Slave operation, and the *Operation* chapter to learn in detail how to configure this fixture for Master/Slave operation.

## DMX Values

3-CH	Channel	Function	Value	Percent/Setting
	1	Dimmer	000 ⇔ 255	0~100%
			000 ⇔ 031	White
	2	Color	032 ⇔ 063	Dark Blue
			064 ⇔ 095	Yellow
			096 ⇔ 127	Purple
			128 ⇔ 159	Green
			160 ⇔ 191	Red
			192 ⇔ 223	Light Blue
			224 ⇔ 255	Orange
3	Strobe	000 ⇔ 255	0~100%	

**Mounting** Before mounting this product, read the safety notes at the beginning of this guide and in the product's user manual. Then, follow the mounting procedure indicated in the Setup chapter of the user manual.

**Product  
Mounting  
Diagram**



## Contact Us

### World Headquarters

CHAUVET®

#### General Information

Address: 5200 NW 108th Avenue  
Sunrise, FL 33351  
Voice: (954) 929-1115  
Fax: (954) 929-5560  
Toll free: (800) 762-1084

#### Technical Support

Voice: (954) 929-1115 (Press 4)  
Fax: (954) 756-8015  
Email: [tech@chauvetlighting.com](mailto:tech@chauvetlighting.com)

#### World Wide Web

[www.chauvetlighting.com](http://www.chauvetlighting.com)

### United Kingdom and Ireland

CHAUVET® Europe Ltd.

#### General Information

Address: Unit 1C  
Brookhill Road Industrial Estate  
Pinxton, Nottingham, UK  
NG16 6NT  
Voice: +44 (0)1773 511115  
Fax: +44 (0)1773 511110

#### Technical Support

Email: [uktech@chauvetlighting.com](mailto:uktech@chauvetlighting.com)

#### World Wide Web

[www.chauvetlighting.co.uk](http://www.chauvetlighting.co.uk)

Outside the U.S., United Kingdom, or Ireland, contact your distributor of record. Follow their instructions to request support or to return a product. Visit our Web site for contact details.

LED Followspot 75ST QRG – Rev. 3

© Copyright 2012 CHAUVET®

All rights reserved

Printed in the P. R. C.



UL 1573

CSA C22.2 No. 166

E113093