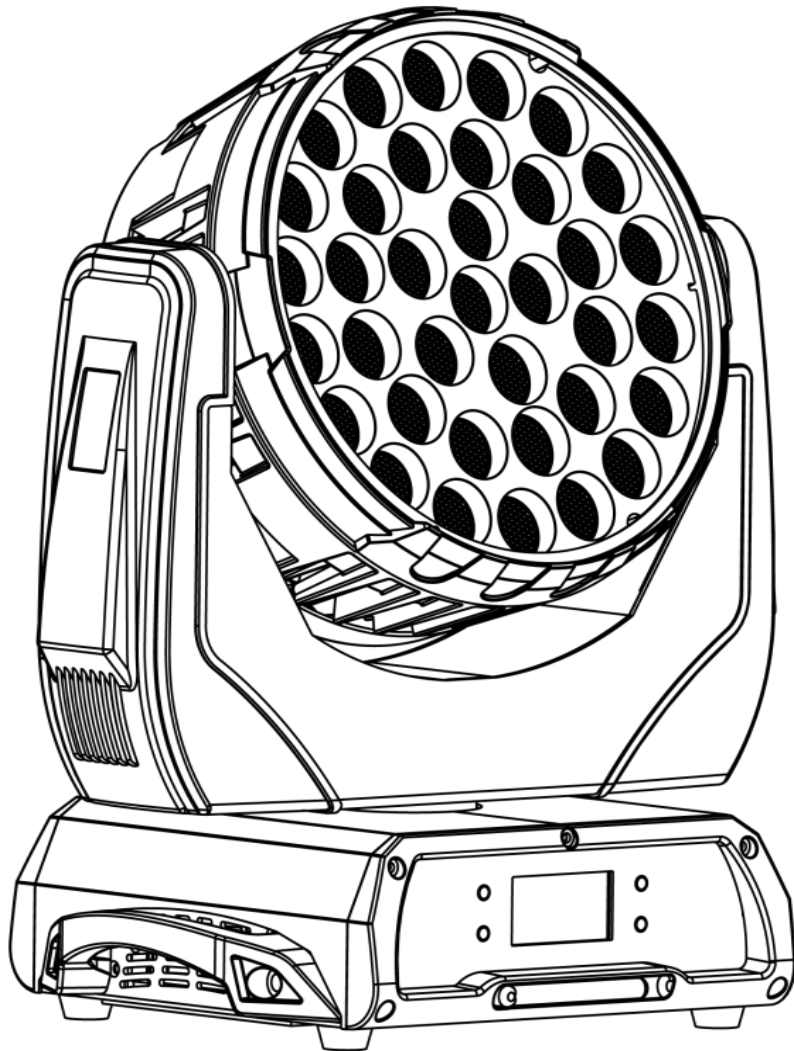


Q-WASH™ 436Z-LED

User Manual



CHAUVET.
It's Green Thinking.®

Edition Notes The Q-Wash™ 436Z-LED User Manual Rev. 1 covers the description, safety precautions, installation, programming, operation, and maintenance of the Q-Wash™ 436Z-LED. CHAUVET® released this edition of the Q-Wash™ 436Z-LED User Manual in March 2013.

Trademarks CHAUVET® is a registered trademark of CHAUVET & Sons Inc. (d/b/a CHAUVET® or Chauvet). The CHAUVET® logo in its entirety including the CHAUVET® name and the dotted triangle, and all other trademarks in this manual pertaining to services, products, or marketing statements (example: It's Green Thinking™) are owned or licensed by CHAUVET®. Any other product names, logos, brands, company names, and other trademarks featured or referred to within this document are the property of their respective trademark holders.

Copyright Notice CHAUVET® owns the content of this User Manual in its entirety, including but not limited to pictures, logos, trademarks, and resources.

© **Copyright 2013 CHAUVET®. All rights reserved.**

Electronically published by CHAUVET® in the United States of America.

Manual Use CHAUVET® authorizes its customers to download and print this manual for professional information purposes only. CHAUVET® expressly prohibits the usage, copy, storage, distribution, modification, or printing of this manual or its content for any other purpose without written consent from CHAUVET®.

Document Printing For better results, print this document in color, on letter size paper (8.5 x 11 in), double-sided. If using A4 paper (210 x 297 mm), configure your printer to scale the content accordingly.

Intended Audience Any person in charge of installing, operating, and/or maintaining this product should completely read through the guide that shipped with the product, as well as this manual, before installing, operating, or maintaining this product.

Disclaimer CHAUVET® believes that the information contained in this manual is accurate in all respects. However, CHAUVET® assumes no responsibility for any errors or omissions in this document. CHAUVET® reserves the right to revise and make changes to the content of this document without obligation that CHAUVET® notify any person or company of such revision or changes. This does not in any way constitute a commitment by CHAUVET® to make such changes. CHAUVET® may issue a revision of this manual or a new edition to incorporate such changes.

Document Revision The Q-Wash™ 436Z-LED User Manual Rev. 1 supersedes all previous versions of this manual. Discard any older versions of this manual you may have, whether in printed or electronic format, and replace with this version.

| Author | Date | Editor | Date |
|----------|---------|---------|---------|
| D. Coupe | 3/18/13 | A. Leon | 3/19/13 |

Table of Contents

| | |
|----------------------------------|----------|
| 1. Before You Begin | 1 |
| What Is Included | 1 |
| Claims | 1 |
| Manual Conventions | 1 |
| Symbols | 1 |
| Product at a Glance | 2 |
| Safety Notes | 2 |
| Personal Safety | 2 |
| Mounting and Rigging | 2 |
| Power and Wiring | 2 |
| Operation | 2 |
| Expected LED Lifespan | 2 |
| 2. Introduction | 3 |
| Product Description | 3 |
| Features | 3 |
| Product Overview | 4 |
| Product Dimensions | 5 |
| 3. Setup | 6 |
| AC Power | 6 |
| AC Plug | 6 |
| Fuse Replacement | 6 |
| Power Linking | 7 |
| DMX Linking | 7 |
| DMX Modes | 7 |
| Master/Slave Connectivity | 7 |
| Mounting | 8 |
| Orientation | 8 |
| Rigging | 8 |
| 4. Operation | 9 |
| Control Panel Description | 9 |
| Control Options | 9 |
| Programming | 9 |
| DMX Personality | 9 |
| DMX Control | 9 |
| Loss of Signal Setting | 10 |
| Product Reset | 10 |
| Static Control | 10 |
| Auto/Custom Programs | 10 |
| Edit Custom Programs | 11 |
| Master/Slave | 11 |
| Fixture Cloning | 12 |
| Fan Control | 12 |
| Pan/Tilt Speed | 12 |
| Reverse Pan Direction | 12 |
| Reverse Tilt Direction | 12 |
| Optics Speed | 12 |
| Reverse Dimmer Direction | 12 |
| Head Motion Black Out | 12 |
| Dimmer Curves | 13 |
| Control Panel Display | 13 |
| Display Backlight | 13 |
| Display Invert | 13 |
| Control Panel Lock | 14 |

| | |
|---------------------------------------|-----------|
| Password | 14 |
| Limit Pan/Tilt Range..... | 14 |
| Offset Calibration | 14 |
| White Calibration..... | 15 |
| Reset..... | 16 |
| Reset to Factory Default | 16 |
| Software Version..... | 16 |
| Menu Map | 17 |
| Menu Map (cont.)..... | 18 |
| Menu Map (cont.)..... | 19 |
| Menu Map (cont.)..... | 20 |
| Menu Map (cont.)..... | 21 |
| DMX Values | 22 |
| DMX Values (cont.)..... | 23 |
| DMX Values (cont.)..... | 24 |
| DMX Values (cont.)..... | 25 |
| DMX Values (cont.)..... | 26 |
| DMX Values (cont.)..... | 27 |
| DMX Values (cont.)..... | 28 |
| DMX Values (cont.)..... | 29 |
| 5. Technical Information | 30 |
| Product Maintenance..... | 30 |
| Returns | 30 |
| Technical Specifications | 31 |
| Contact Us | 32 |

1. Before You Begin

- What Is Included**
- Q-Wash™ 436Z-LED
 - Power Input Cord
 - 2 Omega Brackets
 - Safety Cable
 - Warranty Card
 - Quick Reference Guide

Claims Carefully unpack the product immediately and check the box to make sure all the parts are in the package and are in good condition.

If the box or the contents (the product and included accessories) appear damaged from shipping or show signs of mishandling, notify the carrier immediately, not CHAUVET®. Failure to report damage to the carrier immediately may invalidate your claim. In addition, keep the box and contents for inspection.

For other issues, such as missing components or parts, damage not related to shipping, or concealed damage, file a claim with CHAUVET® within 7 days of delivery.

Manual Conventions

| Convention | Meaning |
|-------------------------|--|
| 1~512 | A range of values in the text |
| 50/60 | A set of mutually exclusive values in the text |
| <SET> | A button on the product’s control panel |
| Settings | A product function or a menu option |
| MENU>Settings | A sequence of menu options |
| 1~10 | A range of menu values from which to choose in a menu |
| Yes/No | A set of two mutually exclusive menu options in a menu |
| ON | A unique value to be entered or selected in a menu |

Symbols

| Symbols | Meaning |
|---------|---|
| | Critical installation, configuration, or operation information. Failure to comply with this information may cause the product not to work, damage third-party equipment, or cause harm to the operator. |
| | Important installation or configuration information. Failure to comply with this information may keep the product from working. |
| | Useful information. |



The term “DMX” used throughout this manual refers to the USITT DMX512-A digital data transmission protocol.

| | | | | |
|----------------------------|-----------------|---|---------------------------|---|
| Product at a Glance | Use on Dimmer | X | Auto Programs | P |
| | Outdoor Use | X | Auto-Ranging Power Supply | P |
| | Sound-Activated | X | Replaceable Fuse | P |
| | DMX | P | User-Serviceable | X |
| | Master/Slave | P | Duty Cycle | X |

Safety Notes

Read all the following Safety Notes before working with this product. These notes include important information about the installation, usage, and maintenance of this product.



This product contains no user-serviceable parts. Any reference to servicing in this User Manual will only apply to properly trained CHAUVET® certified technicians. Do not open the housing or attempt any repairs.



All applicable local codes and regulations apply to proper installation of this product.

Personal Safety

- Avoid direct eye exposure to the light source while the product is on.
- Always disconnect this product from its power source before servicing.
- Always connect this product to a grounded circuit to avoid the risk of electrocution.
- Do not touch this product's housing during operation because it may be very hot.
- DO NOT operate this product outdoors or in any location where dust, excessive heat, water, or humidity may affect it.
- Mount this product in a location with adequate ventilation, at least 20 in (50 cm) from adjacent surfaces.
- Make sure there are no flammable materials close to this product while it is operating.
- When hanging this product, always secure to a fastening device using a safety cable (included).

Mounting and Rigging

Power and Wiring

- Always make sure you are connecting this product to the proper voltage in accordance with the specifications in this manual or on the product's specification label.
- Never connect this product to a dimmer pack or rheostat.
- Never disconnect this product by pulling or tugging on the power cable.
- Do not operate this product if you see damage on the housing, lenses, or cables. Have the damaged parts replaced by an authorized technician at once.
- Do not cover the ventilation slots when operating to avoid internal overheating.
- The maximum ambient temperature is 104° F (40° C). Do not operate this product at a higher temperature.
- In case of a serious operating problem, stop using this product immediately!

Operation



Expected LED Lifespan

In the unlikely event that your CHAUVET® product may require service, contact CHAUVET® Technical Support.

LEDs gradually decline in brightness over time, mostly because of heat. Packaged in clusters, LEDs exhibit higher operating temperatures than in ideal, single-LED conditions. For this reason, using clustered LEDs at their fullest intensity significantly reduces the LEDs' lifespan. Under normal conditions, this lifespan can be 40,000 to 50,000 hours. If extending this lifespan is vital, lower the operating temperature by improving the ventilation around the product and reducing the ambient temperature to an optimal operating range. In addition, limiting the overall projection intensity may also help to extend the LEDs' lifespan.

2. Introduction

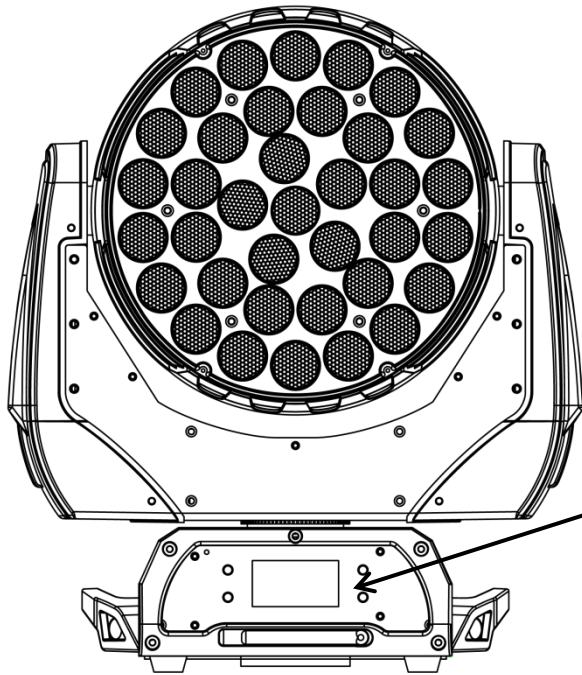
Product Description

The Q-Wash™ 436Z-LED is a high-power quad-color RGBW LED, moving head wash product. This product consists of a base section and a moving yoke with a pan range of up to 540°. The moving head, which has a tilt range of 270°, contains the 36 quad-color RGBW LEDs and the zoom motors. The base section has the 3- and 5-pin DMX input and output sockets, the Neutrik® powerCON® input connector, and the LCD-based control panel.

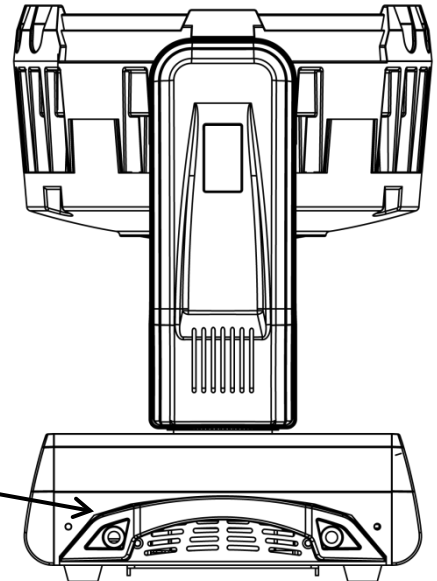
Features

- 8, 10, 16, or 29-channel quad-color LED wash product
- Operating modes:
 - 8-channel: HSV, pan, tilt, strobe, zoom, control
 - 10-channel: RGBW, pan, tilt, dimmer, strobe, zoom, control
 - 16-channel: RGBW, pan, fine pan, tilt, fine tilt, pan/tilt speed, macro, dimmer, strobe, auto rings, auto speed, zoom, control
 - 29-channel: RGBW 1~5, pan, fine pan, tilt, fine tilt, pan/tilt speed, dimmer, strobe, zoom, control
 - 29-channel: RGBW 1~5, pan fine pan, tilt, fine tilt, pan/tilt speed, dimmer, strobe, zoom, control
- Quad-colored RGBW LEDs with brilliant color mixing
- Smooth zoom and dimming
- Fast, quiet movement
- Five zones of control
- Cam-lock omega brackets for quick installation

Product Overview



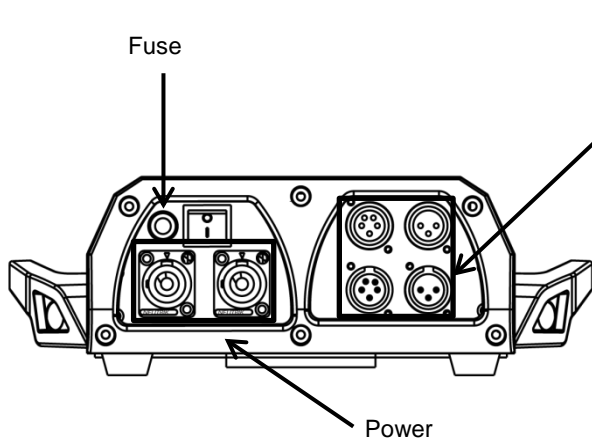
Front View



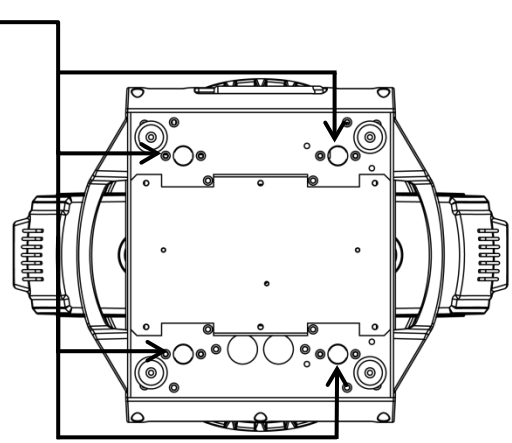
Side View

Control Panel

Handles



Rear View



Bottom View

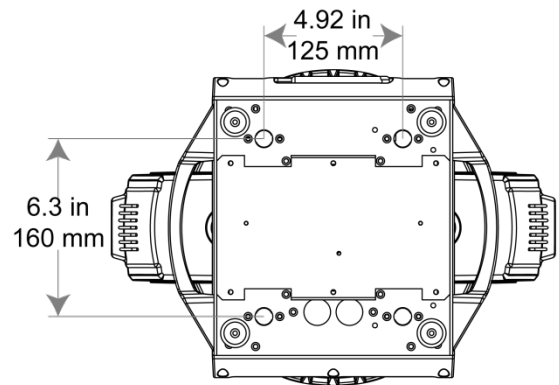
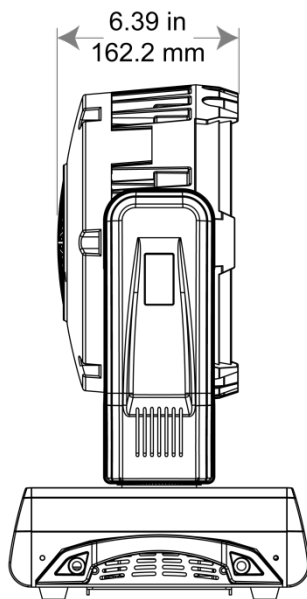
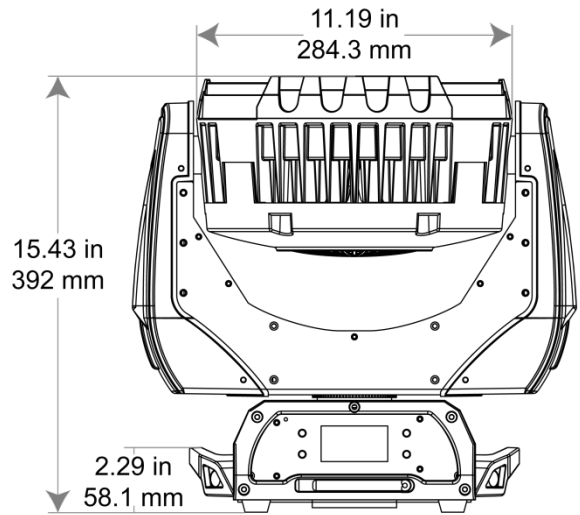
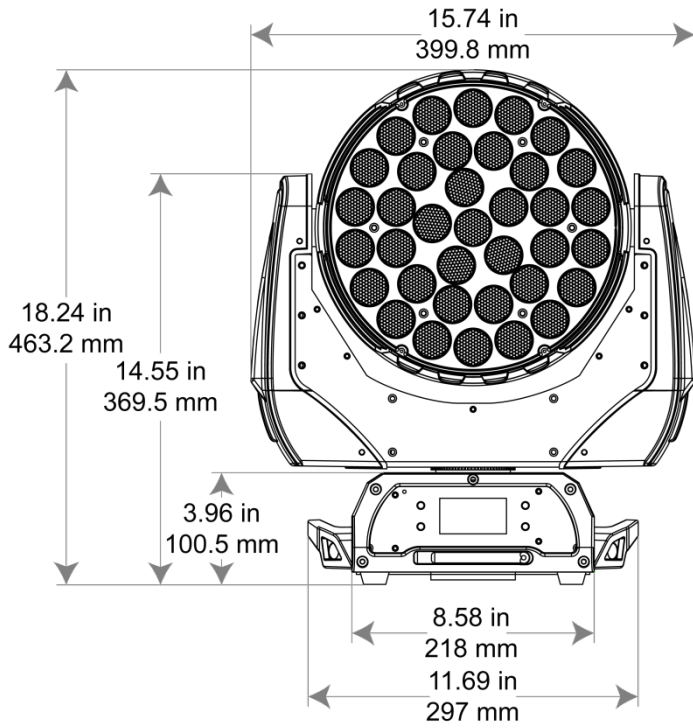
Mounting Points

DMX In/Out

Fuse

Power

Product Dimensions



3. Setup

AC Power

Each Q-Wash™ 436Z-LED has an auto-ranging power supply that works with an input voltage range of 100~240 VAC, 50/60 Hz. To determine the power requirements for each Q-Wash™ 436Z-LED, refer to the label affixed to the product. You can also refer to the [Technical Specifications](#) chart in this manual.

The listed current rating indicates the maximum current draw during normal operation. For more information, you may download Sizing Circuit Breakers from the CHAUVET® website: www.chauvetpro.com.



Always connect this product to a protected circuit with an appropriate electrical ground to avoid the risk of electrocution or fire.



Never connect this product to a rheostat (variable resistor) or dimmer circuit, even if the rheostat or dimmer channel serves only as a 0% to 100% switch.

AC Plug

The Q-Wash™ 436Z-LED comes with a power input cord terminated with a Neutrik® powerCON® A connector on one end and an Edison plug on the other end (U.S. market). If the power input cord that came with your product has no plug, or if you need to change the Edison plug, use the table below to wire the new plug.

| Connection | Wire (US) | Wire (Europe) | Screw Color |
|------------|--------------|---------------|-----------------|
| AC Live | Black | Brown | Yellow or Brass |
| AC Neutral | White | Blue | Silver |
| AC Ground | Green/Yellow | Green/Yellow | Green |



Make sure to disconnect the product's power cord before replacing a blown fuse. Always replace the blown fuse with another of the same type and rating.

Fuse Replacement

1. Disconnect the product from power.
2. Using a Phillips #2 head screwdriver, unscrew the fuse holder cap from the housing.
3. Remove the blown fuse and replace with another fuse of the same type and rating (6.3 A, 250 V).
4. Screw the fuse holder cap back in place and reconnect power.

Power Linking

The Q-Wash™ 436Z-LED supports power linking. You can power link up to 2 products at 120 VAC, 5 products at 208 VAC or 6 products at 230 VAC

This product comes with a power input cord. This product does not come with a power linking cable; however, power linking cables are available as an option.

DMX Linking

You can link the Q-Wash™ 436Z-LED to a DMX controller using a standard DMX serial connection. If using other DMX compatible products with the Q-Wash™ 436Z-LED, you can control each individually with a single DMX controller.

DMX Modes

The Q-Wash™ 436Z-LED uses the standard DMX data connection for the **PERSON 1**, **PERSON 2**, **PERSON 3**, **PERSON 4**, and **PERSON 5** DMX personalities.

- Refer to the [Introduction](#) chapter for a brief description of these modes.
- Refer to the [Operation](#) chapter to learn how to configure the Q-Wash™ 436Z-LED to work in these modes.
- The [DMX Values](#) section provides you with detailed information regarding the DMX modes.

Master/Slave Connectivity

The Master/Slave mode allows a Q-Wash™ 436Z-LED (the “master product”) to control one or more Q-Wash™ 436Z-LEDs (the “slave products”) without a DMX controller. One Q-Wash™ 436Z-LED becomes the master product when running an Auto or Custom program, or by being in Static Control mode.

You must configure each slave product’s control panel to operate in Slave mode. During Master/Slave operation, the slave products will operate in unison with the master product.



DO NOT connect a DMX controller to products operating in Master/Slave mode. The DMX controller signals may interfere with the signals from the master product.



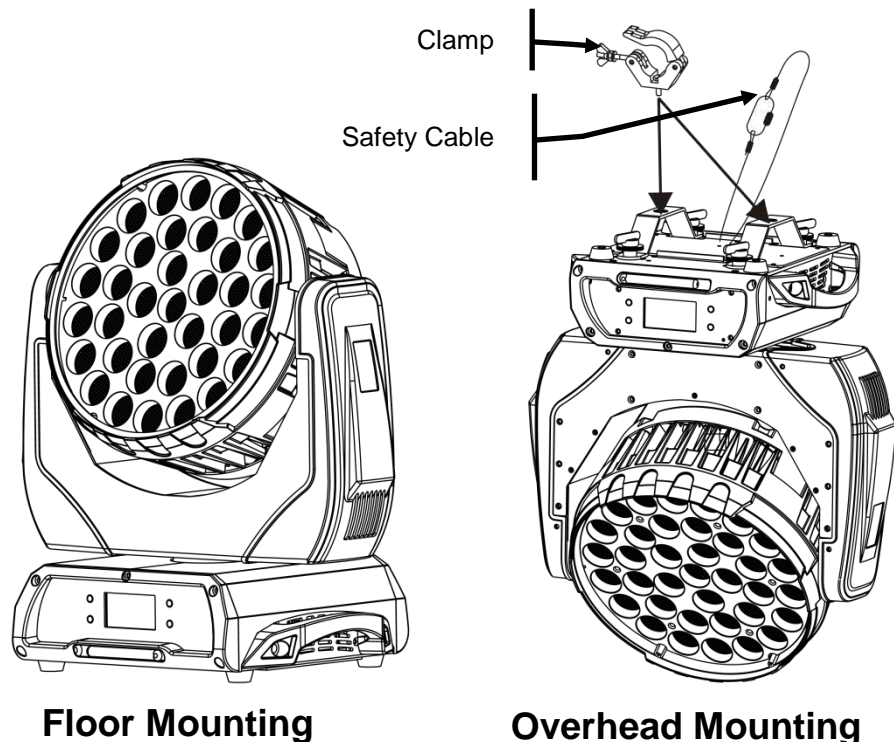
The [Operation](#) chapter of this manual provides detailed instructions on how to configure the Master and Slave products.



If you are not familiar with or need more information about DMX standards, Master/Slave connectivity, or the DMX cables needed to link this product to a DMX controller, download the DMX Primer from the CHAUVET® website: www.chauvetpro.com.

- Mounting** Before mounting this product, read and follow the [Safety Notes](#) in this manual.
- Orientation** Always mount this product in a safe position and make sure there is adequate room for ventilation, configuration, and maintenance.
- Rigging** CHAUVET® recommends using the following general guidelines when mounting this product.
- When selecting an installation location, consider easy access to this product for operation, programming adjustments, and routine maintenance.
 - Make sure to mount this product away from any flammable material as indicated in the [Safety Notes](#).
 - Never mount in places where rain, high humidity, extreme temperature changes, or restricted ventilation may affect the product.
 - If hanging this product, make sure that the mounting location can support the product's weight. Refer to the [Technical Specifications](#) chart for the weight-bearing requirements of this product.
 - When hanging this product, always secure to a fastening device using a safety cable (included).
- Procedure** The Q-Wash™ 436Z-LED comes with two omega brackets to which you can attach clamps. You must supply your own clamps and make sure that they are capable of supporting the weight of this product. You will have to use two mounting points per product. The omega brackets also serve to anchor this product to a panel. For floor standing operation, this product has built-in rubber feet.

**Product Mounting
Diagram**



4. Operation

Control Panel Description

| Button | Function |
|---------|--|
| <MENU> | Exits from the current menu or function |
| <ENTER> | Enables the currently displayed menu or sets the currently selected value in to the current function |
| <UP> | Navigates upward through the menu list and increases the numeric value when in a function |
| <DOWN> | Navigates downward through the menu list and decreases the numeric value when in a function |

Control Options

You can set the Q-Wash™ 436Z-LED starting address in the 001~512 DMX range. This enables control of up to 17 products in the 29-channel **PERSON3** or **PERSON5** personalities.

Programming

Refer to the [Menu Map](#) to understand the menu options. The menu map shows the main level and a variable number of programming levels for each option.

- To go to the desired main level, press <MENU> repeatedly until the option shows on the display. Press <ENTER> to select. This will take you to the first programming level for that option.
- To select an option or value within the current programming level, press <UP> or <DOWN> until the option shows on the display. Press <ENTER> to select. In this case, if there is another programming level, you will see that first option, or you will see the selected value.
- Press <MENU> repeatedly to exit to the previous main level.

DMX Personality

This setting allows you to choose a particular DMX personality.

1. Go to the **PERSON** main level.
2. Select the desired personality (**PERSON1**, **PERSON2**, **PERSON3**, **PERSON4**, or **PERSON5**).

See the [DMX Values](#) section for the highest starting address you can select for each personality.



Make sure that the starting addresses on the various products do not overlap due to the new personality setting.

DMX Control

In this mode, each product will respond to a unique starting address from the DMX controller. All products with the same starting address will respond in unison.

1. Select a DMX personality as shown in [DMX Personality](#).
2. Set the running mode as follows.
 - a. Go to **STAND ALONE > RUN**.
 - b. Select the **DMX 512** programming level.
3. Set the starting address as follows.
 - a. Go to **ADDRESS** main level.
 - b. Select the starting address (**001~512**).

The highest recommended starting address for each DMX mode are as follows:



| DMX Mode | DMX Address | DMX Mode | DMX Address | DMX Mode | DMX Address |
|-----------------|-------------|-----------------|-------------|-----------------|-------------|
| PERSON 1 | 503 | PERSON 2 | 497 | PERSON 3 | 484 |
| PERSON 4 | 505 | PERSON 5 | 484 | | |

- Loss of Signal Setting** This setting controls how the product will respond when the DMX signal is lost.
1. Go to **SETTINGS > PERFORM > DMX ERROR**.
 - a. Select **SAVE** to make the product use the last command used when the signal is lost.
 - b. Select **BLACK** to turn off the all the LEDs when the signal is lost.

- Product Reset**
1. Select **SETTINGS > PERFORM > DMXRESET**.
 - a. Select **DMX** to reset the product from a DMX controller or **DISPLAY** to reset the product from the control panel.

Static Control The Static Color mode allows for permanent RGBW color mixing without a DMX controller.

1. Go to the **MANUAL > MANUAL**.
2. Select **DIMMER**.
 - a. Set the intensity value (**000~255**).
3. Select **RED, GREEN, BLUE, or WHITE**.
 - a. Select the color value (**000~255**).
 - b. Repeat for the other colors.
4. Select **PAN or TILT**.
 - a. Set the position value (**000~255**).
 - b. Repeat for the other position.
5. Select **STROBE**.
 - a. Set the frequency (**00~10**).
6. Select **ZOOM**.
 - a. Set the angle (**000~255**).
7. Select **CONTROL** (Fan Speed Control Only).
 - a. No function (**000~059**).
 - b. Automatic fan speed control (**060~079**).
 - c. Slow fan speed (**080~099**).
 - d. Normal fan speed (**100~119**).
 - e. High fan speed (**120~139**).
 - f. No function(**140~255**).

Auto/Custom Programs Auto programs allow for dynamic RGBW color mixing and movement without a DMX controller.

1. Go to **STAND ALONE > RUN**.
 - a. Select **AUTO1, AUTO2, TEST, or CUSTOM**.



You cannot edit any of the auto programs (AUTO1, AUTO2, or TEST). However, you can edit the custom programs (CUSTOM).

Edit Custom Programs

This setting allows the programming of up to 49 steps in the **CUSTOM** running mode.

1. Go to **STAND ALONE > EDIT**.
2. Select **STEP**.
3. Set the program step (**01~49**).
 - a. Select **PAN** or **TILT**.
 - i. Set the position value (**000~255**).
 - ii. Repeat for the other position
 - b. Select **DIMMER**.
 - i. Set the intensity value (**000~255**).
 - c. Select **RED, GREEN, BLUE**, or **WHITE**.
 - i. Select the color value (**000~255**).
 - ii. Repeat for the other colors.
 - d. Select **STROBE**.
 - i. Set the frequency (**00~10**).
 - e. Select **ZOOM**.
 - i. Set the angle (**000~255**).
 - f. Select **TIME**.
 - i. Select the step duration (**000~255**).
 - g. Repeat for the other steps
4. Select **USE**.
 - a. Select **YES** to save the program or **NO** to discard.

Master/Slave

The Master/Slave mode allows a group of Q-Wash™ 436Z-LEDs (the slave products) to simultaneously duplicate the output of another Q-Wash™ 436Z-LED (the master product) without a DMX controller.

1. Set each of the slave products as follows.
 - a. Go to **STAND ALONE > RUN**.
 - b. Select **SLAVE**.
2. Set the master products as follows.
 - a. Set the running mode to **DMX** as explained in [DMX Control](#).
 - b. Select an auto or custom program as explained in [Auto/Custom Programs](#), or a static mix of colors and movement as explained in [Static Control](#).

The master product is the one that runs a program whether in Auto, Custom or Static control mode.



Do not connect a DMX controller to the products configured for Master/Slave operation. The controller may interfere with signals from the master product.

The master product should be the first product in the daisy chain.

Fixture Cloning The Q-Wash™ 436Z gives you 3 ways in which to transfer the settings from 1 Q-Wash™ 436Z to other Q-Wash™ 436Z products when hooked up via DMX daisy chain configuration.

To transfer the **CUSTOM** program only:

1. Go to **STAND ALONE > SEND**.
 - a. Select **YES** to send the program or **NO** to cancel.

To transfer the **CONTENT** program (display text) only:

2. Go to **SERVICE > CONTENT > SEND**.
 - a. Select **YES** to send the program or **NO** to cancel.

To transfer all of the product's software settings:

3. Go to **SETTINGS > SEND**.
 - a. Select **YES** to send the program or **NO** to cancel.



DO NOT upload the data from a Q-Wash™ 436Z-LED to a different product. The other product may become inoperative.

Fan Control

The Q-Wash™ 436Z allows you to adjust the fan speed of the product to allow for quiet operation.

1. Go to **SETTINGS > PERFORM > FANS**.
 - a. Select **SLOW**, **NORMAL**, **FAST**, or **AUTO**.



In AUTO mode, the product controls the speed of the fan to allow for the most efficient cooling while allowing maximum output. To prevent overheating, using any other fan speed may reduce product output.

Pan/Tilt Speed

1. Select **SETTINGS > PERFORM > PT SPEED**.
 - a. Select **FAST** for fast movement or **SLOW** to use the normal speed.

Reverse Pan Direction

1. Select **SETTINGS > PERFORM > PAN INV**.
 - a. Select **INVERT** to reverse the pan direction or **NORM** to use the normal pan direction.

Reverse Tilt Direction

1. Select **SETTINGS > PERFORM > TILT INV**.
 - a. Select **INVERT** to reverse the tilt direction or **NORM** to use the normal tilt direction.

Optics Speed

1. Select **SETTINGS > PERFORM > OP SPEED**.
 - a. Select **FAST** for fast movement or **SLOW** to use the normal speed.

Reverse Dimmer Direction

1. Select **SETTINGS > PERFORM > DIM INV**.
 - a. Select **INVERT** to reverse the dimmer direction or **NORM** to use the normal dimmer direction.

Head Motion Black Out

1. Select **SETTINGS > PERFORM > BLACKOUT**.
 - a. Select **INSTANT** to black out the output when the head tilts or pans, or **DELAY** to keep the output on while the head moves.

Dimmer Curves This setting determines how fast the output of the Q-Wash™ 436Z-LED changes when you modify the values of the red, green, blue, white, and dimmer faders. This setting provides four different options to simulate the dimming curve of an incandescent lighting product.

1. Select **SETTINGS > PERFORM > DIMMER**.
 - a. Select **DIM4** (slowest) to **DIM1** (Fastest), or **OFF** (linear).



OFF: The output is proportional (linear) to the Dimmer and RGBW channel values.

DIM1~4: The output follows the Dimmer and RGBW channel values based on the corresponding dimmer curve, **DIM1** being the fastest and **DIM4** the slowest.

Control Panel Display The Q-Wash™ 436Z allows you to customize what is displayed on the products control panel screen.

1. Choose the screen mode as follows.
 - a. Go to **SETTINGS > PERFORM > HOME SCREEN**.
 - b. Select **DMX** to display only the DMX address or **NAME** to display what is programmed in the **CONTENT** level.
2. Enter the text to be displayed on the screen as follows.
 - a. Go to **SERVICE > CONTENT**.
 - b. Select **DISPLAY1**.
 - c. Use the **<UP>** and **<DOWN>** keys to enter up to 16 characters of text.
 - d. Select **DISPLAY2**.
 - e. Use the **<UP>** and **<DOWN>** keys to enter up to 16 characters of text.

Display Backlight 1. Select **SETTINGS > PERFORM > DISPLAY ON**.

- a. Select **LONG**, **SHORT**, or **ALWAYS**.

Display Invert 1. Select **SETTINGS > PERFORM > DISPLAY INVERT**.

- a. Select **INVERT** to reverse the display direction or **NORM** to use the normal display direction.

Control Panel Lock The Q-Wash™ 436Z gives you 3 different security levels, which lock out unauthorized personnel from making changes to the product.

To secure the **SETTINGS** level only:

1. Go to **SERVICE > ACCESS > SETTINGS LOCK**.
 - a. Select **ON** to require the password to access the level or **OFF** to allow open access.

To secure the **SERVICE** level only:

2. Go to **SERVICE > ACCESS > SERVICE LOCK**.
 - a. Select **ON** to require the password to access the level or **OFF** to allow open access.

To secure all levels of the control panel:

3. Go to **SETTINGS > DISPLAY LOCK**.
 - a. Select **ON** to require the password to the control panel or **OFF** to allow open access.



When the control panel lock is active, the product will prompt you to enter the password after 30 seconds of control panel inactivity or after turning on the product.

Password After being prompted to enter the password:

Press **<UP>**, **<DOWN>**, **<UP>**, **<DOWN>**, **<ENTER>**.

- Limit Pan/Tilt Range**
1. Select **SETTINGS > RANGE**.
 2. To set the start and end points of the pan and tilt ranges:
 - a. Select **P.START** and set the pan starting point between **000~255**.
 - b. Select **P.END** and set the pan ending point between **000~255**.
 - c. Select **T.START** and set the tilt starting point between **000~255**.
 - d. Select **T.END** and set the tilt ending point between **000~255**.
 3. Select **USE** to activate the changes.

Offset Calibration This option allows you to calibrate the starting points of the Pan, Tilt, and Zoom motors.

1. Select **SERVICE > CALIB.M**.
 - a. Select **PAN**.
 - i. Set the position value (**000~255**).
 - b. Select **TILT**.
 - i. Set the position value (**000~255**).
 - c. Select **ZOOM**.
 - i. Set the position value (**000~255**).

White Calibration This setting allows you to select and edit the temperature of the white colors used in channel 10 (Macros) when in the **PERSON2** mode.

1. Select **SERVICE > CALIB.C.**
 - a. Select **3200K.**
 - b. Select **RED, GREEN, or BLUE.**
 - i. Set the position value (**000~255**).
 - ii. Repeat for the other colors.
 - c. Select **3400K.**
 - d. Select **RED, GREEN, or BLUE.**
 - i. Set the position value (**000~255**).
 - ii. Repeat for the other colors.
 - e. Select **4200K.**
 - f. Select **RED, GREEN, or BLUE.**
 - i. Set the position value (**000~255**).
 - ii. Repeat for the other colors.
 - g. Select **4900K.**
 - h. Select **RED, GREEN, or BLUE.**
 - i. Set the position value (**000~255**).
 - ii. Repeat for the other colors.
 - i. Select **5600K.**
 - j. Select **RED, GREEN, or BLUE.**
 - i. Set the position value (**000~255**).
 - ii. Repeat for the other colors.
 - k. Select **5900K.**
 - l. Select **RED, GREEN, or BLUE.**
 - i. Set the position value (**000~255**).
 - ii. Repeat for the other colors.
 - m. Select **6500K.**
 - n. Select **RED, GREEN, or BLUE.**
 - i. Set the position value (**000~255**).
 - ii. Repeat for the other colors.
 - o. Select **7200K.**
 - p. Select **RED, GREEN, or BLUE.**
 - i. Set the position value (**000~255**).
 - ii. Repeat for the other colors.
 - q. Select **8000K.**
 - r. Select **RED, GREEN, or BLUE.**
 - i. Set the position value (**000~255**).
 - ii. Repeat for the other colors.
 - s. Select **8500K.**
 - t. Select **RED, GREEN, or BLUE.**
 - i. Set the position value (**000~255**).
 - ii. Repeat for the other colors.
 - u. Select **10000K.**
 - v. Select **RED, GREEN, or BLUE.**
 - i. Set the position value (**000~255**).
 - ii. Repeat for the other colors.

Reset The Q-Wash™ 436Z gives you 3 different levels to reset the product.

To reset the Pan and Tilt motors only:

1. Go to **MANUAL > RESET > PT.RESET**.
 - a. Select **YES** to reset or **NO** to exit.

To reset the Zoom motor only:

2. Go to **MANUAL > RESET > OPTIC RESET**.
 - a. Select **YES** to reset or **NO** to exit.

To reset the all the motors:

3. Go to **MANUAL > RESET > ALL RESET**.
 - a. Select **YES** to reset or **NO** to exit.

Reset to Factory 1. Go to **SETTINGS > DEFAULT**.

Default a. Select **YES** to reset or **NO** to exit.

Software Version 1. Go to **INFO > SOFTWARE**.

Menu Map

| Main Level | Programming Levels | | Description | |
|------------|----------------------------------|---------------|-------------------------------|--|
| ADDRESS | 000~512 | | Sets the DMX starting address | |
| PERSON | PERSON1 | | 10-Channel mode | |
| | PERSON2 | | 16-Channel mode | |
| | PERSON3 | | 29-Channel mode | |
| | PERSON4 | | 8-Channel mode | |
| | PERSON5 | | 29-Channel mode | |
| SETTINGS | WIRELESS | WDMX ACTIVATE | OFF | Reserved for future use |
| | | | ON | |
| | | WDMX RESET | NO | |
| | | | YES | |
| | PERFORM | FANS | SLOW | Selects the fan's operation mode. |
| | | | NORM | |
| | | | FAST | |
| | | | AUTO | |
| | | PT SPEED | FAST | Defines the speed of the pan/tilt |
| | | | SLOW | |
| | | PAN INVERT | NORM | Defines the direction of the pan fader |
| | | | INVERT | |
| | | TILT INVERT | NORM | Defines the direction of the tilt fader |
| | | | INVERT | |
| | | OPTICS SPEED | FAST | Defines the speed of the zoom |
| | | | SLOW | |
| | | BLACKOUT | DELAY | Activates the move-in black delay (3 sec.) |
| | | | INSTANT | |
| | | DIMMER | DIM4 | Slow (DIM4) to fast (DIM1) dimmer curves |
| | | | DIM3 | |
| DIM2 | | | | |
| DIM1 | | | | |
| OFF | Linear dimmer/no dimmer function | | | |

Menu Map (cont.)

| Main Level | Programming Levels | | Description | |
|---------------------|--------------------|-------------|--|---|
| SETTINGS (cont.) | PERFORM (cont.) | DIM INVERT | NORM | Defines the direction of the dimmer fader |
| | | | INVERT | |
| | | DMX ERROR | SAVE | Continues with last command upon loss of DMX control |
| | | | BLACK | Blacks out fixture upon loss of DMX signal |
| | | DMX RESET | DMX | The DMX controller resets the product |
| | | | DISPLAY | The control panel resets the product |
| | | DISPLAY ON | LONG | Determines how long the backlight of the display will stay on after last command button pressed |
| | | | SHORT | |
| | | | ALWAYS | |
| | | HOME SCREEN | DMX | Displays DMX address |
| | NAME | | Displays what is programmed via SERVICE > CONTENT level | |
| | DISPLAY INVERT | NORM | Allows the display on the control panel to be inverted | |
| | | INVERT | | |
| | RANGE | P.START | 000~255 | Sets the pan start point(pan range) |
| | | P.END | | Sets the pan end point (pan range) |
| | | T.START | | Sets the tilt start point (tilt range) |
| | | T.END | | Sets the tilt end point (tilt range) |
| | | USE | NO | Activates the changes |
| | | YES | | |
| | DISPLAY LOCK | | OFF | Activates/deactivates the main level passcode |
| | | ON | | |
| DEFAULT | | NO | Resets fixture to factory default settings | |
| | | YES | | |
| SEND | | NO | Sends ALL settings of the 1st product to all other Q-Wash 436Z LEDs connected to the DMX output | |
| | | YES | | |

Menu Map (cont.)

| Main Level | Programming Levels | | Description | |
|-------------|--------------------|-------------|--------------------------------------|---|
| STAND ALONE | RUN | DMX 512 | Selects DMX running mode | |
| | | AUTO1 | Selects the first automatic program | |
| | | AUTO2 | Selects the second automatic program | |
| | | CUSTOM | Selects a user customizable program | |
| | | TEST | Starts the product's test sequence | |
| | | SLAVE | Selects the Slave running mode | |
| | EDIT | STEP | 01~49 | Selects the program step |
| | | PAN | 000~255 | Selects the pan position |
| | | TILT | | Selects the tilt position |
| | | RED | | Combines red, green, blue, and white to obtain a custom color |
| | | GREEN | | |
| | | BLUE | | |
| | | WHITE | | |
| | | DIMMER | | Selects the dimmer value |
| | | STROBE | | Selects the strobe frequency (00~10 Hz) |
| | | ZOOM | | Select the zoom position |
| | | TIME | | Selects the step duration |
| | | USE | | NO |
| | | YES | | |
| | SEND | NO | | Sends CUSTOM settings of the 1st product to all other Q-Wash 436Z LEDs connected to the DMX output |
| YES | | | | |
| INFO | SOFTWARE | V.X.X | Shows version of software installed | |
| MANUAL | RESET | ALL RESET | NO | Resets fixture to home settings |
| | | | YES | |
| | | PT.RESET | NO | Resets the Pan/Tilt to home settings |
| | | | YES | |
| | | OPTIC RESET | NO | Resets the Zoom to home settings |
| | | | YES | |

Menu Map (cont.)

| Main Level | Programming Levels | | | Description | | | |
|-------------------|--------------------|---------|---------|--|---|---|---|
| MANUAL (cont.) | MANUAL | PAN | 000~255 | Allows manual control of all settings from control panel | | | |
| | | TILT | | | | | |
| | | RED | | | | | |
| | | GREEN | | | | | |
| | | BLUE | | | | | |
| | | WHITE | | | | | |
| | | DIMMER | | | | | |
| | | STROBE | | | | | |
| | | ZOOM | | | | | |
| | | CONTROL | | | | | |
| SERVICE | CALIB.M | PAN | 000~255 | Calibrates the start position of the motors | | | |
| | | TILT | | | | | |
| | | ZOOM | | | | | |
| | CALIB.C | 3200K | RED | 000~255 | Sets color temperature for White 1 | | |
| | | | GREEN | | | | |
| | | | BLUE | | | | |
| | | 3400K | RED | | 000~255 | Sets color temperature for White 2 | |
| | | | GREEN | | | | |
| | | | BLUE | | | | |
| | | 4200K | RED | | | 000~255 | Sets color temperature for White 3 |
| | | | GREEN | | | | |
| | | | BLUE | | | | |
| | | 4900K | RED | | | | 000~255 |
| GREEN | | | | | | | |
| BLUE | | | | | | | |

Menu Map (cont.)

| Main Level | Programming Levels | | | Description | |
|--------------------|--------------------|---|--|---|---|
| SERVICE (cont.) | CALIB.C (cont.) | 5600K | RED | 000~255 | Sets color temperature for White 5 |
| | | | GREEN | | |
| | | | BLUE | | |
| | | 5900K | RED | | Sets color temperature for White 6 |
| | | | GREEN | | |
| | | | BLUE | | |
| | | 6500K | RED | | Sets color temperature for White 7 |
| | | | GREEN | | |
| | | | BLUE | | |
| | | 7200K | RED | | Sets color temperature for White 8 |
| | | | GREEN | | |
| | | | BLUE | | |
| | 8000K | RED | Sets color temperature for White 9 | | |
| | | GREEN | | | |
| | | BLUE | | | |
| | 8500K | RED | Sets color temperature for White 10 | | |
| | | GREEN | | | |
| | | BLUE | | | |
| | 10000K | RED | Sets color temperature for White 11 | | |
| | | GREEN | | | |
| | | BLUE | | | |
| | ACCESS | SETTINGS LOCK | OFF | Activates/deactivates the SETTINGS main level passcode | |
| | | | ON | | |
| | | SERVICE LOCK | OFF | Activates/deactivates the SERVICE main level passcode | |
| ON | | | | | |
| WIRELESS HIDE | HIDE | Shows/Hides the WIRELESS option in the SETTINGS menu option | | | |
| | SHOW | | | | |
| CONTENT | DISPLAY1 | ***** | Allows 16 characters of text to be displayed on control panel | | |
| | DISPLAY2 | ***** | | | |
| | SEND | NO | Sends CONTENT settings of the 1st product to all other Q-Wash 436Z LEDs connected to the DMX output | | |
| YES | | | | | |

DMX Values

PERSON 1

| Channel | Function | Value | Percent/Setting |
|---------|----------|---|---|
| 1 | Pan | 000 ó 255 | 0~100% |
| 2 | Tilt | 000 ó 255 | 0~100% |
| 3 | Red | 000 ó 255 | 0~100% |
| 4 | Green | 000 ó 255 | 0~100% |
| 5 | Blue | 000 ó 255 | 0~100% |
| 6 | White | 000 ó 255 | 0~100% |
| 7 | Dimmer | 000 ó 255 | 0~100% |
| 8 | Strobe | 000 ó 009 010 ó 255 | No Function 0~10 Hz |
| 9 | Zoom | 000 ó 255 | 0~100% |
| 10 | Control | 000 ó 019 020 ó 039 040 ó 059 060 ó 079 080 ó 099 100 ó 119 120 ó 139 140 ó 149 150 ó 159 160 ó 169 170 ó 179 180 ó 199 200 ó 219 220 ó 235 236 ó 239 240 ó 243 244 ó 247 248 ó 251 252 ó 255 | No Function Pan/tilt black activation Pan/tilt black deactivation Automatic fan speed Slow fan speed Normal fan speed High fan speed Auto program 1 (3 s activation delay) Auto program 2 (3 s activation delay) Test (3 s activation delay) Custom program (3 s activation delay) No Function Reset (3 s activation delay) No Function DIM0 (3 s activation delay) DIM1 (3 s activation delay) DIM2 (3 s activation delay) DIM3 (3 s activation delay) DIM4 (3 s activation delay) |

DMX Values (cont.)

| PERSON 2 | Channel | Function | Value | Percent/Setting |
|----------|-----------|-------------------|-----------|--------------------------------|
| | 1 | Pan | 000 ó 255 | 0~100% |
| | 2 | Pan Fine | 000 ó 255 | 0~100% |
| | 3 | Tilt | 000 ó 255 | 0~100% |
| | 4 | Tilt Fine | 000 ó 255 | 0~100% |
| | 5 | Pan/Tilt Speed | 000 ó 255 | 0~100% |
| | 6 | Red | 000 ó 255 | 0~100% |
| | 7 | Green | 000 ó 255 | 0~100% |
| | 8 | Blue | 000 ó 255 | 0~100% |
| | 9 | White | 000 ó 255 | 0~100% |
| | 10 | Color/White Macro | 000 ó 010 | No Function |
| | | | 011 ó 030 | R: 100% G: 0~100% B: 0 |
| | | | 031 ó 050 | R: 100%~0 G: 100% B: 0 |
| | | | 051 ó 070 | R: 0 G: 100% B: 0~100% |
| | | | 071 ó 090 | R: 0 G: 100%~0 B: 100% |
| | | | 091 ó 110 | R: 0~100% G: 0 B: 100% |
| | | | 111 ó 130 | R: 100% G: 0 B: 100%~0 |
| | | | 131 ó 150 | R: 100% G: 0~100% B: 0~100% |
| | | | 151 ó 170 | R: 100%~0 G: 100%~0 B: 100% |
| | | | 171 ó 200 | R: 100% G: 100% B: 100% W:100% |
| | | | 201 ó 205 | White 1 |
| | | | 206 ó 210 | White 2 |
| | | | 211 ó 215 | White 3 |
| | | | 216 ó 220 | White 4 |
| | | | 221 ó 225 | White 5 |
| | | | 226 ó 230 | White 6 |
| | | | 231 ó 235 | White 7 |
| | 236 ó 240 | White 8 | | |
| | 241 ó 245 | White 9 | | |
| | 246 ó 250 | White 10 | | |
| | 251 ó 255 | White 11 | | |

DMX Values (cont.)

| PERSON 2 (cont.) | Channel | Function | Value | Percent/Setting |
|---------------------|------------|----------|-----------|---------------------------------------|
| 11 | Auto Rings | | 000 ó 009 | No Function |
| | | | 010 ó 019 | Static Ring 1 |
| | | | 020 ó 029 | Static Ring 2 |
| | | | 030 ó 039 | Static Ring 3 |
| | | | 040 ó 049 | Static Ring 4 |
| | | | 050 ó 059 | Static Ring 5 |
| | | | 060 ó 069 | Ring Effect 1 |
| | | | 070 ó 079 | Ring Effect 2 |
| | | | 080 ó 089 | Ring Effect 3 |
| | | | 090 ó 099 | Ring Effect 4 |
| | | | 100 ó 109 | Ring Effect 5 |
| | | | 110 ó 119 | Ring Effect 6 |
| | | | 120 ó 129 | Ring Effect 7 |
| | | | 130 ó 139 | Ring Effect 8 |
| | | | 140 ó 149 | Ring Effect 9 |
| | | | 150 ó 159 | Ring Effect 10 |
| | | | 160 ó 169 | Ring Effect 11 |
| | | | 170 ó 179 | Ring Effect 12 |
| | | | 180 ó 189 | Ring Effect 13 |
| | | | 190 ó 199 | Ring Effect 14 |
| | | | 200 ó 209 | Ring Effect 15 |
| | | | 210 ó 219 | Ring Effect 16 |
| | | | 220 ó 229 | Ring Effect 17 |
| | | | 230 ó 239 | Ring Effect 18 |
| | | | 240 ó 249 | Ring Effect 19 |
| | | | 250 ó 255 | No Function |
| 12 | Auto Speed | | 000 ó 255 | 0~100% |
| 13 | Dimmer | | 000 ó 255 | 0~100% |
| 14 | Strobe | | 000 ó 009 | No Function |
| | | | 010 ó 255 | 0~10 Hz |
| 15 | Zoom | | 000 ó 255 | 0~100% |
| 16 | Control | | 000 ó 019 | No Function |
| | | | 020 ó 039 | Pan/tilt black activation |
| | | | 040 ó 059 | Pan/tilt black deactivation |
| | | | 060 ó 079 | Automatic fan speed |
| | | | 080 ó 099 | Slow fan speed |
| | | | 100 ó 119 | Normal fan speed |
| | | | 120 ó 139 | High fan speed |
| | | | 140 ó 149 | Auto program 1 (3 s activation delay) |
| | | | 150 ó 159 | Auto program 2 (3 s activation delay) |
| | | | 160 ó 169 | Test (3 s activation delay) |
| | | | 170 ó 179 | Custom program (3 s activation delay) |
| | | | 180 ó 199 | No Function |
| | | | 200 ó 219 | Reset (3 s activation delay) |
| | | | 220 ó 235 | No Function |
| | | | 236 ó 239 | DIM0 (3 s activation delay) |
| | | | 240 ó 243 | DIM1 (3 s activation delay) |
| | | | 244 ó 247 | DIM2 (3 s activation delay) |
| | | | 248 ó 251 | DIM3 (3 s activation delay) |
| | | | 252 ó 255 | DIM4 (3 s activation delay) |

DMX Values (cont.)

| PERSON 3 | Channel | Function | Value | Percent/Setting |
|----------|---------|----------------|-----------|-----------------|
| | 1 | Pan | 000 ó 255 | 0~100% |
| | 2 | Pan Fine | 000 ó 255 | 0~100% |
| | 3 | Tilt | 000 ó 255 | 0~100% |
| | 4 | Tilt Fine | 000 ó 255 | 0~100% |
| | 5 | Pan/Tilt Speed | 000 ó 255 | 0~100% |
| | 6 | Red 1 | 000 ó 255 | 0~100% |
| | 7 | Green 1 | 000 ó 255 | 0~100% |
| | 8 | Blue 1 | 000 ó 255 | 0~100% |
| | 9 | White 1 | 000 ó 255 | 0~100% |
| | 10 | Red 2 | 000 ó 255 | 0~100% |
| | 11 | Green 2 | 000 ó 255 | 0~100% |
| | 12 | Blue 2 | 000 ó 255 | 0~100% |
| | 13 | White 2 | 000 ó 255 | 0~100% |
| | 14 | Red 3 | 000 ó 255 | 0~100% |
| | 15 | Green 3 | 000 ó 255 | 0~100% |
| | 16 | Blue 3 | 000 ó 255 | 0~100% |
| | 17 | White 3 | 000 ó 255 | 0~100% |
| | 18 | Red 4 | 000 ó 255 | 0~100% |
| | 19 | Green 4 | 000 ó 255 | 0~100% |
| | 20 | Blue 4 | 000 ó 255 | 0~100% |
| | 21 | White 4 | 000 ó 255 | 0~100% |
| | 22 | Red 5 | 000 ó 255 | 0~100% |
| | 23 | Green 5 | 000 ó 255 | 0~100% |
| | 24 | Blue 5 | 000 ó 255 | 0~100% |
| | 25 | White 5 | 000 ó 255 | 0~100% |

DMX Values (cont.)

| PERSON 3 (cont.) | Channel | Function | Value | Percent/Setting |
|---------------------|---------|----------|---|---|
| | 26 | Dimmer | 000 ó 255 | 0~100% |
| | 27 | Strobe | 000 ó 009 010 ó 255 | No Function 0~10 Hz |
| | 28 | Zoom | 000 ó 255 | 0~100% |
| | 29 | Control | 000 ó 019 020 ó 039 040 ó 059 060 ó 079 080 ó 099 100 ó 119 120 ó 139 140 ó 149 150 ó 159 160 ó 169 170 ó 179 180 ó 199 200 ó 219 220 ó 235 236 ó 239 240 ó 243 244 ó 247 248 ó 251 252 ó 255 | No Function Pan/tilt black activation Pan/tilt black deactivation Automatic fan speed Slow fan speed Normal fan speed High fan speed Auto program 1 (3 s activation delay) Auto program 2 (3 s activation delay) Test (3 s activation delay) Custom program (3 s activation delay) No Function Reset (3 s activation delay) No Function DIM0 (3 s activation delay) DIM1 (3 s activation delay) DIM2 (3 s activation delay) DIM3 (3 s activation delay) DIM4 (3 s activation delay) |

DMX Values (cont.)

| PERSON 4 | Channel | Function | Value | Percent/Setting |
|----------|-----------|-----------------------------|------------------------|---------------------------------------|
| | 1 | Pan | 000 ó 255 | 0~100% |
| | 2 | Tilt | 000 ó 255 | 0~100% |
| | 3 | Hue | 000 ó 255 | 0~100% |
| | 4 | Saturation | 000 ó 255 | 0~100% |
| | 5 | Value | 000 ó 255 | 0~100% |
| | 6 | Strobe | 000 ó 009 010 ó 255 | No Function 0~10 Hz |
| | 7 | Zoom | 000 ó 255 | 0~100% |
| | 8 | Control | 000 ó 019 | No Function |
| | | | 020 ó 039 | Pan/tilt black activation |
| | | | 040 ó 059 | Pan/tilt black deactivation |
| | | | 060 ó 079 | Automatic fan speed |
| | | | 080 ó 099 | Slow fan speed |
| | | | 100 ó 119 | Normal fan speed |
| | | | 120 ó 139 | High fan speed |
| | | | 140 ó 149 | Auto program 1 (3 s activation delay) |
| | | | 150 ó 159 | Auto program 2 (3 s activation delay) |
| | | | 160 ó 169 | Test (3 s activation delay) |
| | | | 170 ó 179 | Custom program (3 s activation delay) |
| | | | 180 ó 199 | No Function |
| | | | 200 ó 219 | Reset (3 s activation delay) |
| | | | 220 ó 235 | No Function |
| | | | 236 ó 239 | DIM0 (3 s activation delay) |
| | 240 ó 243 | DIM1 (3 s activation delay) | | |
| | 244 ó 247 | DIM2 (3 s activation delay) | | |
| | 248 ó 251 | DIM3 (3 s activation delay) | | |
| | 252 ó 255 | DIM4 (3 s activation delay) | | |

DMX Values (cont.)

| PERSON 5 | Channel | Function | Value | Percent/Setting |
|----------|---------|----------------|---|---|
| | 1 | Pan | 000 ó 255 | 0~100% |
| | 2 | Pan Fine | 000 ó 255 | 0~100% |
| | 3 | Tilt | 000 ó 255 | 0~100% |
| | 4 | Tilt Fine | 000 ó 255 | 0~100% |
| | 5 | Pan/Tilt Speed | 000 ó 255 | 0~100% |
| | 6 | Dimmer | 000 ó 255 | 0~100% |
| | 7 | Strobe | 000 ó 009 010 ó 255 | No Function 0~10 Hz |
| | 8 | Zoom | 000 ó 255 | 0~100% |
| | 9 | Control | 000 ó 019 020 ó 039 040 ó 059 060 ó 079 080 ó 099 100 ó 119 120 ó 139 140 ó 149 150 ó 159 160 ó 169 170 ó 179 180 ó 199 200 ó 219 220 ó 235 236 ó 239 240 ó 243 244 ó 247 248 ó 251 252 ó 255 | No Function Pan/tilt black activation Pan/tilt black deactivation Automatic fan speed Slow fan speed Normal fan speed High fan speed Auto program 1 (3 s activation delay) Auto program 2 (3 s activation delay) Test (3 s activation delay) Custom program (3 s activation delay) No Function Reset (3 s activation delay) No Function DIM0 (3 s activation delay) DIM1 (3 s activation delay) DIM2 (3 s activation delay) DIM3 (3 s activation delay) DIM4 (3 s activation delay) |

DMX Values (cont.)

| PERSON 5 (cont.) | Channel | Function | Value | Percent/Setting |
|-----------------------------|----------------|-----------------|--------------|------------------------|
| | 10 | Red 1 | 000 ó 255 | 0~100% |
| | 11 | Green 1 | 000 ó 255 | 0~100% |
| | 12 | Blue 1 | 000 ó 255 | 0~100% |
| | 13 | White 1 | 000 ó 255 | 0~100% |
| | 14 | Red 2 | 000 ó 255 | 0~100% |
| | 15 | Green 2 | 000 ó 255 | 0~100% |
| | 16 | Blue 2 | 000 ó 255 | 0~100% |
| | 17 | White 2 | 000 ó 255 | 0~100% |
| | 18 | Red 3 | 000 ó 255 | 0~100% |
| | 19 | Green 3 | 000 ó 255 | 0~100% |
| | 20 | Blue 3 | 000 ó 255 | 0~100% |
| | 21 | White 3 | 000 ó 255 | 0~100% |
| | 22 | Red 4 | 000 ó 255 | 0~100% |
| | 23 | Green 4 | 000 ó 255 | 0~100% |
| | 24 | Blue 4 | 000 ó 255 | 0~100% |
| | 25 | White 4 | 000 ó 255 | 0~100% |
| | 26 | Red 5 | 000 ó 255 | 0~100% |
| | 27 | Green 5 | 000 ó 255 | 0~100% |
| | 28 | Blue 5 | 000 ó 255 | 0~100% |
| | 29 | White 5 | 000 ó 255 | 0~100% |

5. Technical Information

Product Maintenance

To maintain optimum performance and minimize wear, you should clean this product frequently. Usage and environment are contributing factors in determining the cleaning frequency.

As a rule, clean this product at least twice a month. Dust build-up reduces light output performance and can cause overheating. This can lead to reduced light source life and increased mechanical wear.

To clean your product:

- Unplug the product from power.
- Wait until the product is at room temperature.
- Use a vacuum (or dry compressed air) and a soft brush to remove dust collected on the external vents and accessible internal components.
- Clean all external surfaces with a mild solution of non-ammonia glass cleaner or isopropyl alcohol.
- Apply the solution directly to a soft, lint-free cotton cloth or a lens cleaning tissue.
- Wipe any dirt or grime to the outside edges of the lens surface.
- Gently polish the lens surfaces until they are free of haze and lint.



Always dry the external surfaces thoroughly and carefully after cleaning them.

Returns

You must send the product prepaid, in the original box, and with the original packing and accessories. CHAUVET® will not issue call tags.

Call CHAUVET® and request a Return Merchandise Authorization (RMA) number before shipping the product. Be prepared to provide the model number, serial number, and a brief description of the cause(s) for the return.

Clearly label the package with an RMA number. CHAUVET® will refuse any product returned without an RMA number.



DO NOT write the RMA number directly on the box. Instead, write it on a properly affixed label.

Once you have received the RMA number, include the following information on a piece of paper inside the box:

- Your name
- Your address
- Your phone number
- The RMA number
- A brief description of the problem(s)

Be sure to pack the product properly. Any shipping damage resulting from inadequate packaging will be the customer's responsibility. FedEx packing or double-boxing are recommended.



CHAUVET® reserves the right to use its own discretion to repair or replace returned product(s).

Technical Specifications

| Dimensions and Weight | Length | Width | Height | Weight |
|-----------------------|-------------------|-------------------|-------------------|---------------------|
| | 11.89 in (302 mm) | 15.74 in (400 mm) | 18.58 in (472 mm) | 27.6 lbs (12.52 kg) |

Note: Dimensions in inches rounded to the nearest decimal digit.

| Power | Power Supply Type | Range | Voltage Selection |
|-------|----------------------|---------------------|-------------------|
| | Switching (internal) | 100~240 V, 50/60 Hz | Auto-ranging |

| Parameter | 120 V, 60 Hz | 208 V, 60 Hz | 230 V, 50 Hz |
|---------------|--------------|--------------|--------------|
| Consumption | 510 W | 462 | 447 W |
| Operating | 5 A | 2.53 A | 2.25 A |
| Power linking | 2 products | 5 products | 6 products |
| Fuse | 6.3 A, 250 V | 6.3 A, 250 V | 6.3 A, 250 V |

| Power I/O | US/Worldwide | Europe |
|------------------------|----------------------|----------------------|
| Power input connector | Neutrik® powerCON® A | Neutrik® powerCON® A |
| Power output connector | Neutrik® powerCON® B | Neutrik® powerCON® B |
| Power cord plug | Edison (US) | Local plug |

| Light Source | Type | Power | Lifespan |
|--------------|------|-------|--------------|
| | LED | 10 W | 50,000 hours |

| Color | Quantity | Current |
|-------|----------|---------|
| Red | 36 | 713 mA |
| Green | 36 | 703 mA |
| Blue | 36 | 711 mA |
| White | 36 | 705 mA |

| Photo Optic | Parameter | Zoom @ 14.5° | Zoom @ 36° |
|-------------|-------------------|--------------|------------|
| | Illuminance @ 5 m | 2726 lx | 612 lx |
| | Beam angle | 14.5° | 36° |
| | Field angle | 29° | 56° |

| Thermal | Max. External Temperature | Cooling System |
|---------|---------------------------|-------------------------|
| | 104° F (40° C) | Fan-Assisted Convection |

| DMX | I/O Connectors | Connector Type | Channel Range |
|-----|------------------|----------------|---------------|
| | 3- and 5-pin XLR | Sockets | 8,10,16,29 |

| Ordering | Product | Item Code | UPC Number |
|----------|------------------|-----------|--------------|
| | Q-Wash™ 436Z-LED | 01010606 | 781462209544 |



Contact Us **World Headquarters**

CHAUVET®

General Information

Address: 5200 NW 108th Avenue
Sunrise, FL 33351
Voice: (954) 577-4455
Fax: (954) 929-5560
Toll free: (800) 762-1084

Technical Support

Voice: (954) 577-4455 (Press 4)
Fax: (954) 756-8015
Email: tech@chauvetlighting.com

World Wide Web

www.chauvetlighting.com

United Kingdom and Ireland

CHAUVET® Europe Ltd.

General Information

Address: Unit 1C
Brookhill Road Industrial Estate
Pinxton, Nottingham, UK
NG16 6NT
Voice: +44 (0)1773 511115
Fax: +44 (0)1773 511110

Technical Support

Email: uktech@chauvetlighting.com

World Wide Web

www.chauvetlighting.co.uk

Outside the U.S., United Kingdom, or Ireland, contact your dealer. Follow their instructions to request support or to return a product. Visit our website for contact details.
