



# SRX738/SRX738F 18" Three-Way Speaker

## Professional Series

### Key Features:

- ▶ 457 mm (18 in) Differential Drive® low-frequency driver for extended low-frequency output
- ▶ CMCD™ Cone Midrange Compression Driver™ provides low midrange distortion, increased sensitivity, extended bandwidth and improved phase coherence.
- ▶ 60° x 40° coverage.
- ▶ Bi-amplified or full-range passive operation.
- ▶ Five suspension points may be used with optional M10 eyebolts or detachable track fittings.

### Applications

- ▶ Reinforcement of vocal and instrumental music requiring low frequency extension
- ▶ Dance music playback

The SRX738 combines the performance of a subwoofer-equipped system with single-enclosure ease of use. The 2268H 457 mm (18 in) patented\* Differential Drive® woofer delivers impressive low-frequency extension without a sub. The mid-range is covered by JBL's CMCD™ Cone Midrange Compression Driver™ technology using a 2169H 203 mm (8 in) driver. The CMCD design provides very low midrange distortion, increased sensitivity, extended bandwidth and improved phase coherence. The multi-band, Progressive Transition waveguide assembly also hosts a 75 mm (3 in) voice coil 2431H compression driver.

Bi-amp or full-range passive operation may be selected by means of an internal network mode selector.

For applications requiring suspension, a flying version, the SRX738F is available. The F version offers the option of selecting economical, forged eyebolts (not included) for fixed installation or the convenience of detachable track fittings (not included) for portable applications.

The enclosure is constructed of top quality birch plywood and coated in JBL's rugged DuraFlex™ finish. The attractive CNC-machined, 16-gauge steel grille wraps around the sides of the enclosure so there are no protruding lips on the front of the box



to create acoustical interference. The grilles are internally lined with acoustically transparent foam to provide additional driver protection and give a very professional appearance.

### Specifications:

System Type:	18", three-way, bass-reflex,
Frequency Range (-10 dB):	35 Hz - 20 kHz
Frequency Response (±3 dB):	44 Hz - 20 kHz
Coverage Pattern:	60° x 40° nominal
Crossover Modes:	Bi-amp / passive, externally switchable
Crossover Frequencies:	2 kHz / 350 Hz
Power Rating (Continuous*/ Program/Peak):	Passive: 800 W / 1600W / 3200 W Bi-amp LF: 800 W / 1600W / 3200 W Bi-amp MF/HF: 350W / 700W / 1400W
Maximum SPL:	130 dB SPL peak
System Sensitivity (1w @ 1m):	95 dB SPL (passive mode)
Mid / High Sensitivity (1w @ 1m):	108 dB SPL (bi-amp mode)
LF Driver:	1 x JBL 2268H 457 mm (18 in) Differential Drive® woofer
MF Driver:	1 x JBL CMCD-81H Cone Midrange Compression Driver with integral 2169H 200 mm (8 in) Differential Drive® driver
HF Driver:	1 x JBL 2431H 75 mm (3 in) voice coil, neodymium compression driver
Nominal Impedance:	Passive: 8 ohms Bi-amp LF: 8 ohms Bi-amp HF: 8 ohms
Active Tunings:	dbx DriveRack, all models. Settings available at <a href="http://www.jblpro.com">www.jblpro.com</a>
Enclosure:	Trapezoidal, 15mm, 11-ply birch plywood
Suspension / Mounting:	5 x suspension points, M10 or optional track kit
Transport:	2 x steel handles
Finish:	Black DuraFlex™ finish
Grille:	Powder coated, black, 16 gauge perforated steel with transparent charcoal foam backing. Removable JBL badge and punched JBL logo.
Input Connectors:	Neutrik® Speakon® NL-4 (x2)
Dimensions (H x W x D):	1022 x 534 x 508 mm (40.25 x 21 x 20 in)
Net Weight:	43 kg (95 lbs.)
Optional Accessories:	SRX738-CVR: Pull-over padded cover SRX-FF3: Flying hardware kit 229-00009-01: 10 mm forged eyebolts and washers

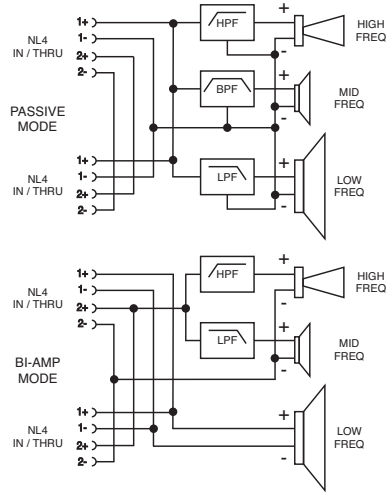
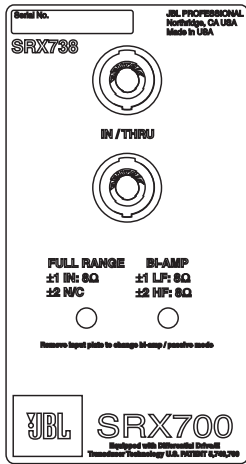
\*U.S. Patent 5,748,760; other U.S. and foreign patents pending.

†IEC standard, full bandwidth pink noise with 6 dB crest factor  
\*Calculated based on power rating and sensitivity

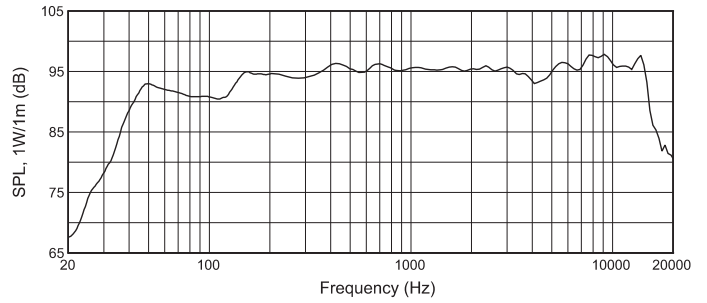
JBL continually engages in research related to product improvement. Some materials, production methods and design refinements are introduced into existing products without notice as a routine expression of that philosophy. For this reason, any current JBL product may differ in some respect from its published description, but will always equal or exceed the original design specifications unless otherwise stated.

# SRX738 18" Three-Way Speaker

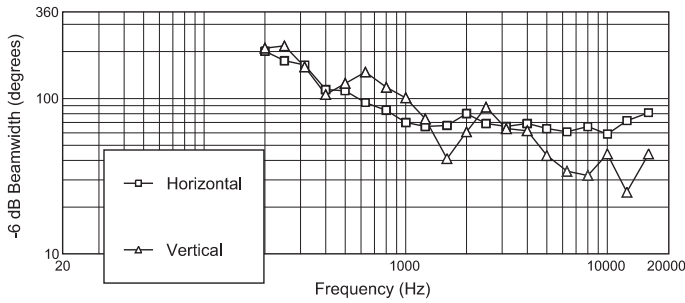
## Block Diagram



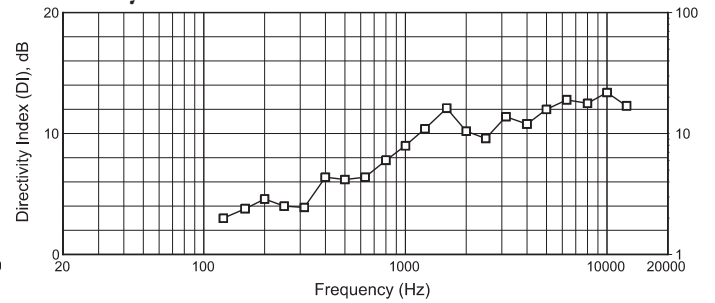
## Frequency Response



## Beamwidth



## Directivity Index



Graphs represent performance with passive crossover network

## Dimensions

