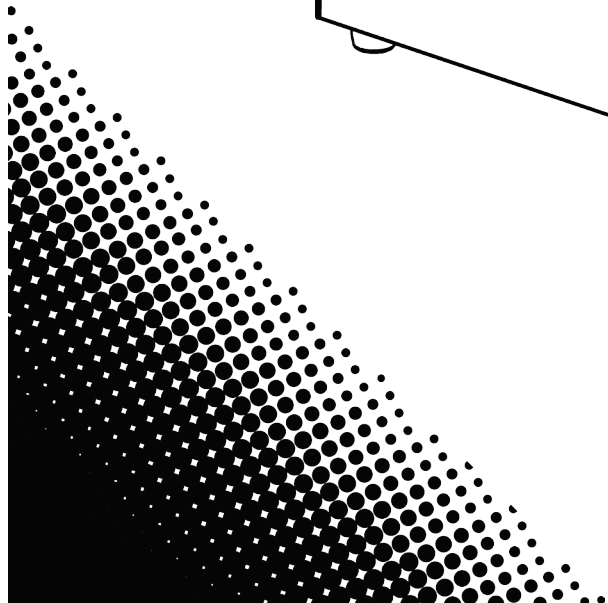
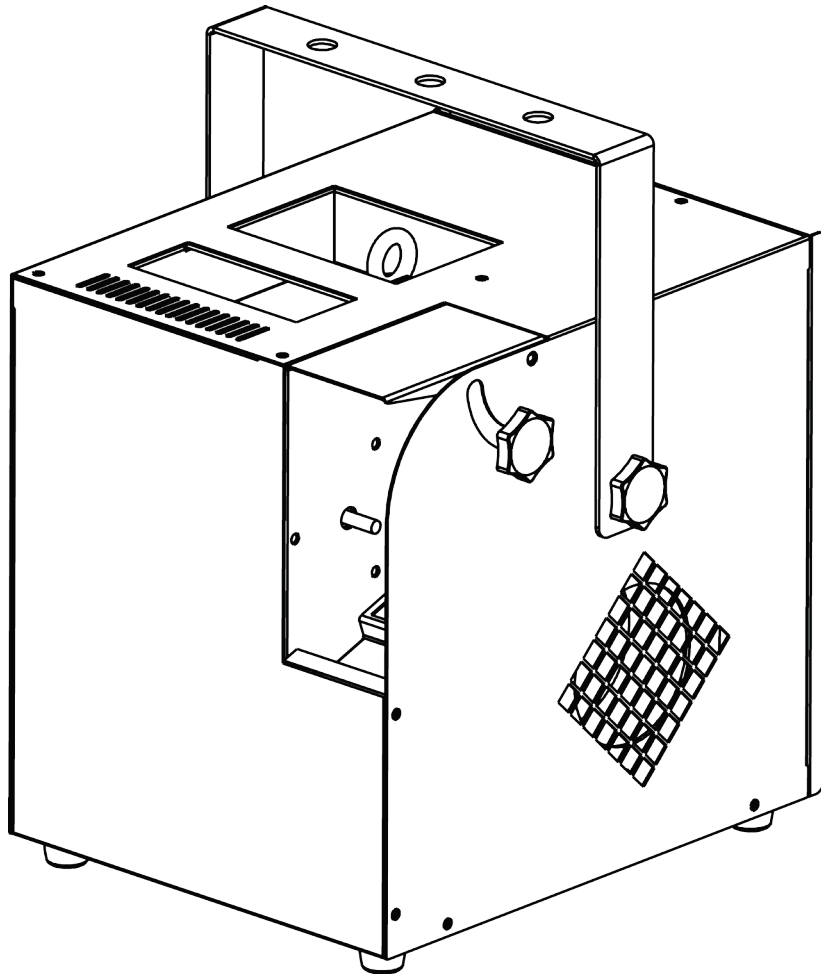


# **HURRICANE**<sup>TM</sup> HAZE 2D

## *User Manual*



**CHAUVET**<sup>®</sup>  
Value • Innovation • Performance

---

# TABLE OF CONTENTS

|  |           |
|--|-----------|
| <b>1. Before You Begin.....</b>          | <b>3</b>  |
| What Is Included .....                   | 3         |
| Unpacking Instructions .....             | 3         |
| Claims.....                              | 3         |
| Text Conventions .....                   | 3         |
| Icons .....                              | 3         |
| Document Information .....               | 3         |
| Product at a Glance.....                 | 4         |
| Safety Notes .....                       | 4         |
| <b>2. Introduction.....</b>              | <b>5</b>  |
| Product Overview.....                    | 5         |
| Product Dimensions .....                 | 6         |
| <b>3. Setup .....</b>                    | <b>7</b>  |
| AC Power.....                            | 7         |
| Fuse Replacement.....                    | 7         |
| Mounting .....                           | 8         |
| Orientation.....                         | 8         |
| Rigging .....                            | 8         |
| <b>4. Operation .....</b>                | <b>9</b>  |
| Control Panel Operation .....            | 9         |
| Remote Operation.....                    | 9         |
| Menu Map.....                            | 9         |
| Configuration (DMX).....                 | 9         |
| Starting Address.....                    | 9         |
| Configuration (Standalone Mode) .....    | 10        |
| Manual Mode.....                         | 10        |
| DMX Channel Assignments and Values.....  | 10        |
| 2-CH.....                                | 10        |
| <b>5. Technical Information .....</b>    | <b>11</b> |
| General Maintenance .....                | 11        |
| Storage .....                            | 11        |
| General Troubleshooting .....            | 12        |
| Returns Procedure .....                  | 13        |
| Contact Information.....                 | 13        |
| <b>6. Technical Specifications .....</b> | <b>14</b> |

# 1. BEFORE YOU BEGIN

- What Is Included**
- 1 x Hurricane™ Haze 2D
  - 1 x Power Cord
  - 1 x Wired Remote (15 ft length)
  - 1 x Warranty Card
  - 1 x User Manual

**Unpacking Instructions** Immediately upon receiving this product, carefully unpack it and check the container in which you received it.




**Claims** If the container or the material inside the container (the product and included accessories) appear damaged from shipping, or show signs of mishandling, upon receipt notify the carrier immediately, not CHAUVET®. Failure to do so in a timely manner may invalidate your claim with the carrier. In addition, keep the container and all the packing material for inspection.

For other issues such as missing components or parts, damage not related to shipping, or concealed damage, file a claim with CHAUVET® within seven (7) days of receiving the merchandise.

## Text Conventions

| Convention      | Meaning   |
|-----------------|---|
| <Menu>          | A key to be pressed on the product's control panel  |
| 1~512           | A range of values   |
| 50/60           | A set of values of which only one can be chosen   |
| Settings        | A menu option not to be modified (for example, showing the operating mode/current status) |
| Menu > Settings | A sequence of menu options to be followed   |
| ON              | A value to be entered or selected   |

## Icons

| Icon  | Meaning   |
|---|---|
|  | Critical installation, configuration, or operation information. Failure to comply with this information may render the product partially or completely inoperative, cause damage to the product, or cause harm to the user. |
|  | Important installation or configuration information. Failure to comply with this information may prevent the product from functioning correctly.  |
|  | Useful information.   |

## Document Information

The information and specifications contained in this document are subject to change without notice. CHAUVET® assumes no responsibility or liability for any errors or omissions that may appear in this manual.

© Copyright 2013 CHAUVET®. All rights reserved.

Printed in P.R.C.

Electronically published by CHAUVET® in the United States of America.

| Author       | Date    | Editor  | Updated |
|--------------|---------|---------|---------|
| A. Chiappone | 1/30/12 | S. Diaz | 1/8/13  |

## Product at a Glance

|                 |   |                           |   |
|-----------------|---|---------------------------|---|
| Use on Dimmer   | ⊘ | Auto Programs             | ⊘ |
| Outdoor Use     | ⊘ | Auto-ranging Power Supply | ⊘ |
| Sound Activated | ⊘ | Replaceable Fuse          | ✓ |
| DMX             | ✓ | User Serviceable          | ⊘ |
| Master/Slave    | ⊘ | Duty Cycle                | ⊘ |

## Safety Notes



**Please read the following Safety Notes carefully before working with the product. The Notes include important safety information about installation, usage, and maintenance.**

- Always connect the product to a grounded circuit to avoid the risk of electrocution.
- Always disconnect this product from the power source before cleaning it or replacing the fuse.
- Make sure the power cord is not crimped or damaged.
- Never disconnect the power cord by pulling or tugging on the cord.
- Do not touch the output nozzle on this product. It is very hot during operation and it may remain hot for several hours after turning the unit off.
- If mounting this product overhead, always secure it to a fastening device using a safety cable.
- Do not mount this product on a flammable surface (e.g., wood, linoleum, carton, plastic, or carpet).

- Always make sure that the voltage of the outlet to which you are connecting the product is within the range stated on the decal or rear panel of the product.
- Keep this User Manual for future consultation. If you sell this product to another user, be sure that they also receive this document.
- This product is for indoor use only! To prevent risk of fire or shock, do not expose this product to rain or moisture.
- Make sure there are no flammable materials close to the unit while operating.
- Always install this product in a location with adequate ventilation, at least 20 in (50 cm) from adjacent surfaces.

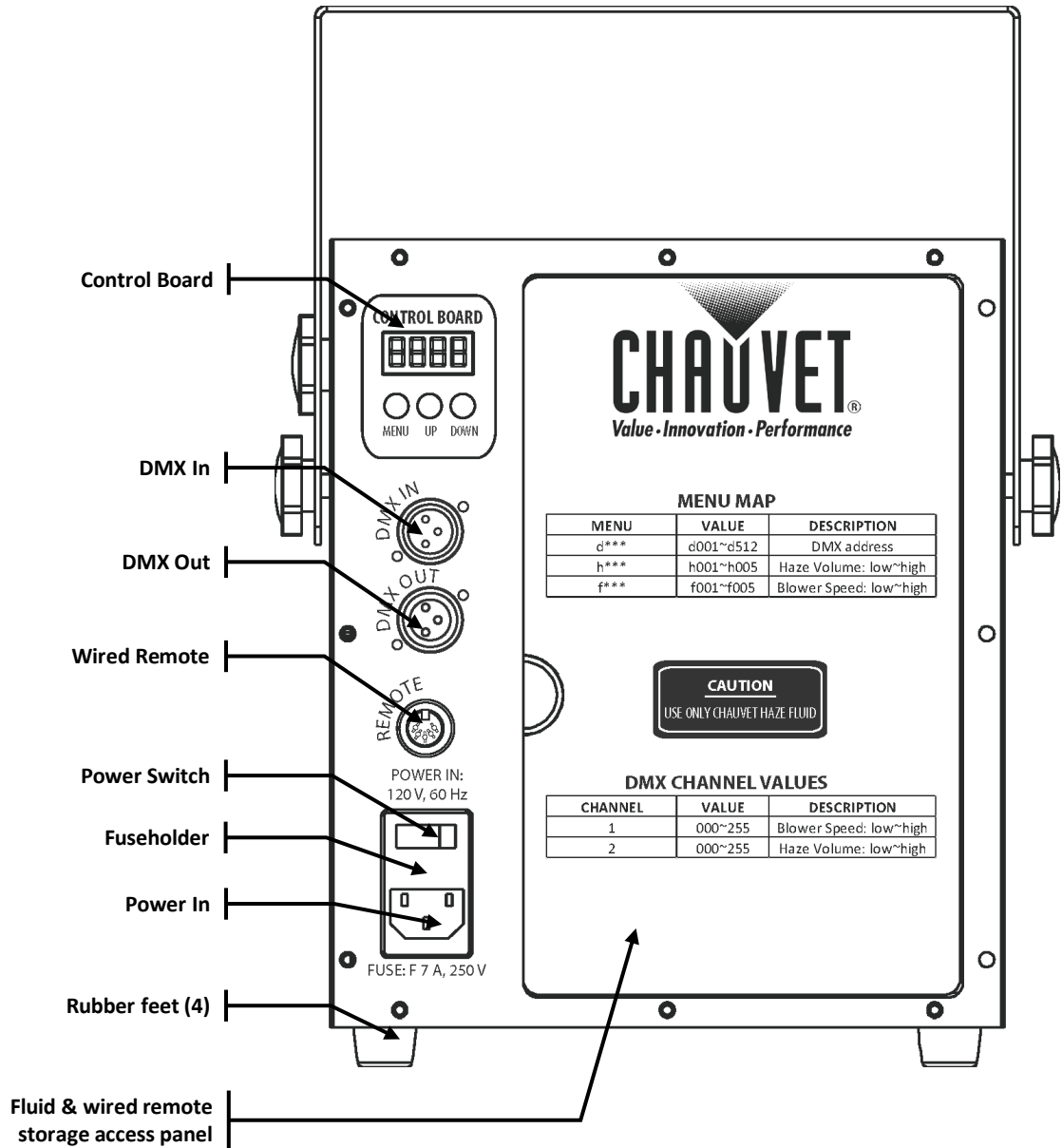
- Be sure that no ventilation slots on the unit's housing are blocked.
- Make sure to replace the fuse with another of the same type and rating.
- The maximum ambient temperature (Ta) is 104° F (40° C). Do not operate this product at higher temperatures.
- In the event of a serious operating problem, stop using the unit immediately.
- Never try to repair this product. Repairs carried out by unskilled people can lead to damage or malfunction. Please contact the nearest authorized technical assistance center.
- Never connect this product to a dimmer pack.
- Make sure there are no flammable materials close to the unit while operating.
- Depending on the amount of fog/haze generated, all fog machines may set off smoke detectors.
- Do not use for space heating purposes.



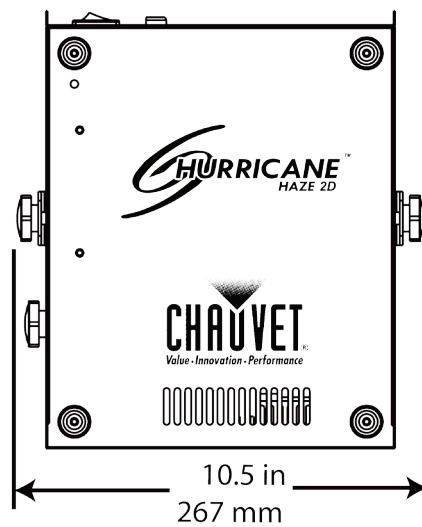
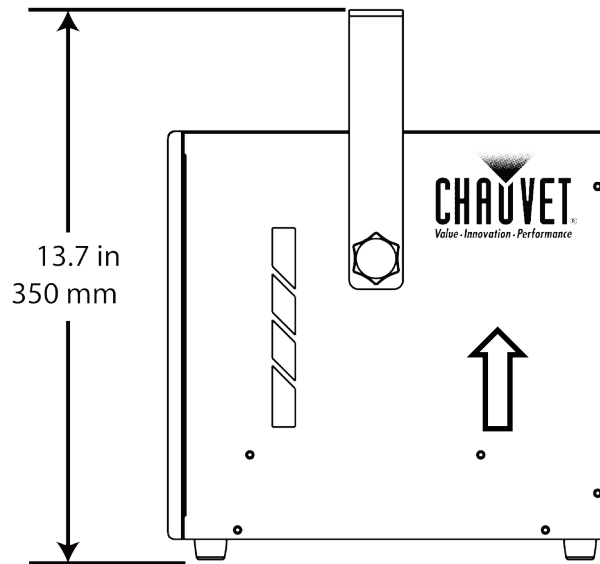
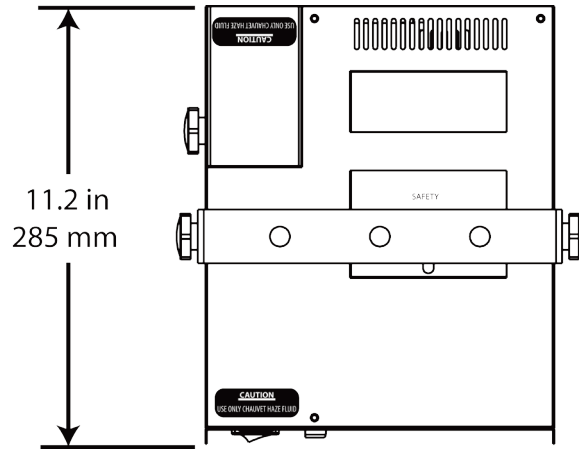
**FCQ (Fog Cleaner Quart) was specifically developed by Chauvet to clean your Hurricane™ Haze 2D. Make sure you use FCQ regularly to increase the life of your product.**

## 2. INTRODUCTION

### Product Overview



## Product Dimensions



## 3. SETUP

### AC Power

This product can work with an input voltage of either 120 VAC, 60 Hz or 230 VAC, 50 Hz.

To determine the power requirements for a particular product, see the label affixed to the back plate of the product or refer to the product's specifications chart. The listed current rating indicates the product's average current draw under normal conditions.



**Always connect this product to a protected circuit (circuit breaker or fuse), making sure that it has an appropriate electrical ground to avoid the risk of electrocution or fire.**



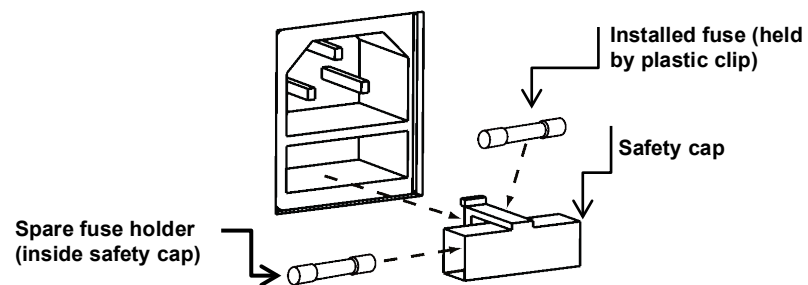
**Never connect this product to a rheostat (variable resistor) or dimmer circuit, even if the rheostat or dimmer channel serves only as a 0 to 100% switch.**

### Fuse Replacement



**Disconnect this product from the power outlet before replacing the fuse.**

1. Wedge the tip of a flat-head screwdriver into the slot of the fuse holder.
2. Pry the fuse out of the housing.
3. Remove the blown fuse from the holder and replace with a fuse of the exact same type and rating.
4. Insert the fuse holder back in place and reconnect power.



**The product does not ship with a spare fuse; however, the safety cap has room for a spare.**

---

## Mounting

**Orientation** The Hurricane™ Haze 2D may be mounted in any position provided there is adequate room for ventilation around it.

**Rigging** Be sure that the structure or surface onto which you are mounting this product can support its weight. Please see the “Technical Specifications” section of this manual for weight information.

Make sure to mount the product securely to a rigging point, whether an elevated platform or a truss.

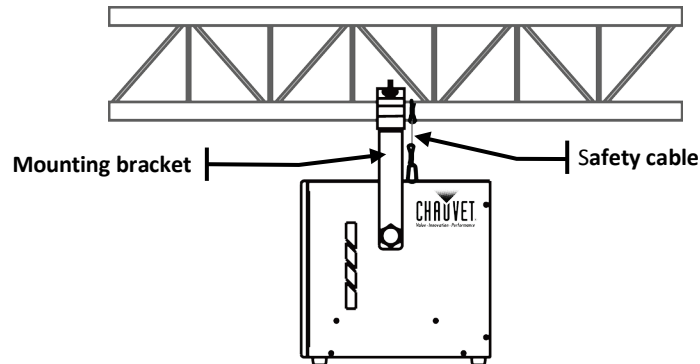
When rigging this product onto a truss, you should use a mounting clamp of appropriate weight capacity. The bracket has a 13 mm hole, which is appropriate for this purpose.

When mounting this product overhead, always use a safety cable.

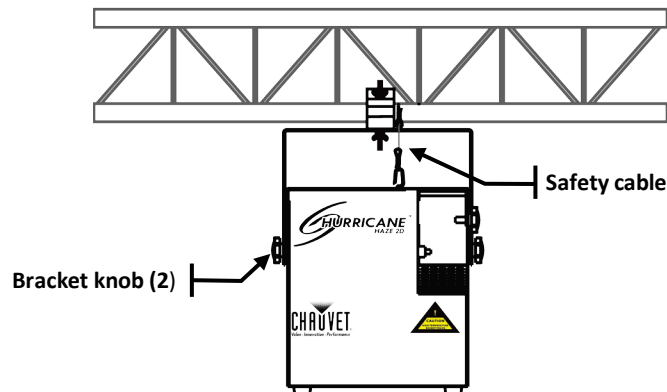
Before deciding on a location for this product, always make sure that it will be easy to access the unit for maintenance and programming purposes.

When power linking multiple products, you must always consider the length of the power linking cable and mount the products close enough for the cable to reach them.

The bracket knobs allow for directional adjustment when aiming the product to the desired angle. Only loosen or tighten the bracket knobs using your bare hands. Using tools could damage the knobs.



**Mounting Diagram**



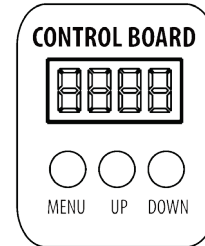


## 4. OPERATION

### Control Panel Operation

To access the control panel functions, use the four buttons located underneath the display.

| Button | Function                                    |
|--------|---|
| <MENU> | Press to scroll through the operating modes |
| <UP>   | Press to find a higher value                |
| <DOWN> | Press to find a lower value                 |



**Important note regarding the priority level for the three types of methods used to control the operation of your Hurricane™ Haze 2D.**

If using the remote control and the digital display is touched, the digital display will take priority control. If using the digital display, and then connect the product to a DMX controller, the DMX will take priority control. The priority control levels are:

1. DMX
2. Digital display
3. Remote controller

### Remote Operation

**Important:** Using the Control Board, set the Fan and Haze output to 0. You can then connect and operate the remote with the Hurricane™ Haze 2D.

### Menu Map

| Mode        | Programming Steps |           | Description                      |
|-------------|-------------------|-----------|----------------------------------|
| DMX Mode    | d***              | 001~512   | Selects the DMX starting address |
| Manual Mode | Haze Volume       | h001~h005 | Low~high                         |
|             | Blower Speed      | f001~f005 | Low~high                         |

### Configuration (DMX)

Set this product in DMX mode to control it with a DMX controller.

1. Connect this product to a suitable power outlet.
2. Turn this product on.
3. Connect a DMX cable from the DMX output of the DMX controller to the DMX input socket of this product.

### Starting Address

The Hurricane™ Haze 2D has one DMX personality, a 2-channel mode for basic control.

The Hurricane™ Haze 2D uses up to two channels in its 2-channel DMX mode, which defines the highest configurable address to 511.

When selecting a starting DMX address, always consider the number of DMX channels the selected DMX mode uses. If you choose a starting address that is too high, you could restrict the access to some of the product's channels.

If you are not familiar with the DMX protocol, download the **DMX Primer** from [www.chauvetlighting.com](http://www.chauvetlighting.com).

To select the starting address, do the following:

1. Press <MENU> repeatedly until d\*\*\* shows on the display.
2. Use <UP> or <DOWN> to select the starting address.

---

## Configuration (Standalone Mode)

Set this product in one of the standalone modes to control it without a DMX controller.

1. Connect this product to a suitable power outlet.
2. Turn this product on.

### Manual Mode



**Never connect a product that is operating in any standalone mode, whether Static, Automatic, or Sound to a DMX string connected to a DMX controller. Products in standalone mode may transmit DMX signals that could interfere with the DMX signals from the controller.**

To enable the Automatic Mode, follow the instructions below:

1. Press <MENU> repeatedly until **h\*\*\*** shows on the display.
2. Use <UP> or <DOWN> to adjust the haze volume.
3. Press <MENU> repeatedly until **f\*\*\*** shows on the display.
4. Use <UP> or <DOWN> to adjust the blower speed.

## DMX Channel Assignments and Values

### 2-CH

| Channel | Function     | Value     | Setting  |
|---------|--------------|-----------|----------|
| 1       | Blower speed | 000 ⇄ 255 | Low~high |
| 2       | Haze volume  | 000 ⇄ 255 | Low~high |

---

## 5. TECHNICAL INFORMATION

### General Maintenance

Do not allow the haze machine to become contaminated. After every 40 hours of continuous operation, use Chauvet® Fog Cleaner Quart (or a solution of 80% distilled water and 20% distilled vinegar) through the system to prevent the accumulation of particulate matter in the heating element is recommended.

The recommended cleaning regimen is as follows:

1. Empty all haze liquid from the machine.
2. Add cleaning solution to tank.
3. Plug unit in and allow it to warm up.
4. Run the unit in a well-ventilated area until the tank is almost empty. Do not allow the pump to run dry.
5. Cleaning is now complete. Refill with haze liquid. Run the machine briefly to clear any cleaning solution from the pump and heater.



**Fog Cleaner Quart (FCQ) was specifically developed by Chauvet® to clean your Hurricane™ Haze 2D. Make sure you use FCQ regularly to increase the life of your product.**

### Storage

Before storing this product, FCQ through the system as described in the cleaning method above. This will help to avoid any particles condensing inside the pump or heater.

Test-run your Hurricane™ Haze 2D on a monthly basis to achieve the best performance.

## General Troubleshooting

| Symptom                               | Possible Cause                               | Possible Action  |
|---------------------------------------|--|--|
| Circuit breaker or fuse keeps blowing | Excessive load on the circuit                | Make sure that the total load does not exceed 80% of the breaker or fuse nominal current       |
|                                       | Short circuit along the power lines          | Check the power lines and power cords  |
| Product does not power up             | No energy on power outlet                    | Check power outlet<br>Change to another outlet   |
|                                       | Loose or damaged power cord                  | Check the power cord   |
|                                       | Blown fuse                                   | Replace blown fuse with a good one of the same type and rating                                 |
|                                       | Internal problem                             | Send product for repair  |
| Product does not respond to DMX       | Wrong starting address on the product        | Set the correct starting address on the product<br>Use the right fader(s) on the controller    |
|                                       | Wrong DMX personality on the product         | Set the correct DMX product's personality<br>Assign the faders accordingly                     |
|                                       | Wrong polarity setting on the DMX controller | Change the signal polarity on the controller   |
|                                       | Loose or damaged DMX cable                   | Check the DMX cable before the faulty unit   |
|                                       | Internal problem                             | Send product for repair  |
| Intermittent DMX Problems             | Signal cables are not DMX compatible         | Replace non DMX cables with true DMX cables  |
|                                       | Interference with AC or radio signals        | Keep DMX cables away from AC wires or radio equipment  |
|                                       | DMX cable too long                           | Install an optically coupled DMX amplifier right before the product with intermittent problems |
|                                       | Too many products connected                  | Install an optically coupled DMX amplifier after unit #32                                      |
|                                       | Terminator not connected                     | Install a terminator, as indicated in the "DMX Primer" section.                                |



If you still experience problems after trying the solutions presented here, contact CHAUVET® Technical Support.

---

## Return Procedure

Send the merchandise prepaid, in the original box, with its original packing and accessories. CHAUVET® will not issue call tags.

Call CHAUVET® and request a Return Merchandise Authorization (RMA) number before shipping the product. Be prepared to provide the model number, serial number, and a brief description of the cause for the return.

Clearly label the package with a Return Merchandise Authorization (RMA) number. CHAUVET® will refuse any product returned without an RMA number.



**DO NOT write the RMA number directly on the box. Instead, write it on a properly affixed label.**

Once you have received the RMA number, please include the following information on a piece of paper inside the box:

- Your name
- Your address
- Your phone number
- The RMA number
- A brief description of the problem

Be sure to pack the product properly. Any shipping damage resulting from inadequate packaging will be the customer's responsibility. Proper FedEx packing or double-boxing are recommended packaging methods.



**CHAUVET® reserves the right to use its own discretion to repair or replace returned product(s).**

## Contact Us

### World Headquarters

CHAUVET®

#### General Information

Address: 5200 NW 108th Avenue  
Sunrise, FL 33351  
Voice: (954) 929-1115  
Fax: (954) 929-5560  
Toll free: (800) 762-1084

#### Technical Support

Voice: (954) 929-1115 (Press 4)  
Fax: (954) 756-8015  
Email: [tech@chauvetlighting.com](mailto:tech@chauvetlighting.com)

#### World Wide Web

[www.chauvetlighting.com](http://www.chauvetlighting.com)

### United Kingdom & Ireland

CHAUVET® Europe Ltd.

#### General Information

Address: Unit 1C  
Brookhill Road Industrial Estate  
Pinxton, Nottingham, UK  
NG16 6NT  
Voice: +44 (0)1773 511115  
Fax: +44 (0)1773 511110

#### Technical Support

Email: [uktech@chauvetlighting.com](mailto:uktech@chauvetlighting.com)

#### World Wide Web

[www.chauvetlighting.co.uk](http://www.chauvetlighting.co.uk)

# 6. TECHNICAL SPECIFICATIONS

| Dimensions and Weight | Length           | Width            | Height           | Weight            |
|-----------------------|------------------|------------------|------------------|-------------------|
|                       | 11.2 in (285 mm) | 10.5 in (267 mm) | 13.7 in (350 mm) | 18.7 lbs (8.5 kg) |

**Note:** Dimensions in inches rounded to the nearest decimal digit.

| Power | Power Supply Type   | Range                              | Voltage Selection       |
|-------|---------------------|------------------------------------|-------------------------|
|       | Magnetic (internal) | 120 V, 60 Hz<br>or<br>230 V, 50 Hz | None<br>(Fixed voltage) |
|       | Parameter           | 120 V, 60 Hz                       | 230 V, 50 Hz            |
|       | Consumption         | 533 W (4.4 A)                      | 580 W (3.0 A)           |
|       | Fuse size           | F 7, 250 V                         | F 5, 250 V              |
|       | Power I/O           | Input                              |                         |
|       | Connectors          | IEC                                |                         |
|       | Cord plug           | Edison                             |                         |

| Operation | Heat-up Time | Tank Capacity | Fluid Consumption |
|-----------|--------------|---------------|-------------------|
|           | 5 min        | 2.5 L         | 8.2 ml / min      |

| Fog output | Ft <sup>3</sup> / min (m <sup>3</sup> / min) |
|------------|--|
|            | 1,200 (34)                                   |

| Approved Fluids | Chauvet® Haze Fluid (Gallon) |
|-----------------|------------------------------|
|                 | HFG                          |

| Thermal | Maximum External Temp. | Cooling System |
|---------|------------------------|----------------|
|         | 104° F (40° C)         | Convection     |

| DMX | I/O Connectors | Connector Type | Channel Range |
|-----|----------------|----------------|---------------|
|     | 3-pin XLR      | Sockets        | 2             |

| Ordering | Product Name       | Item Code | Item Number     |
|----------|--------------------|-----------|-----------------|
|          | Hurricane™ Haze 2D | 05070344  | HURRICANEHAZE2D |



UL 499  
CSA C22.2 No. 64