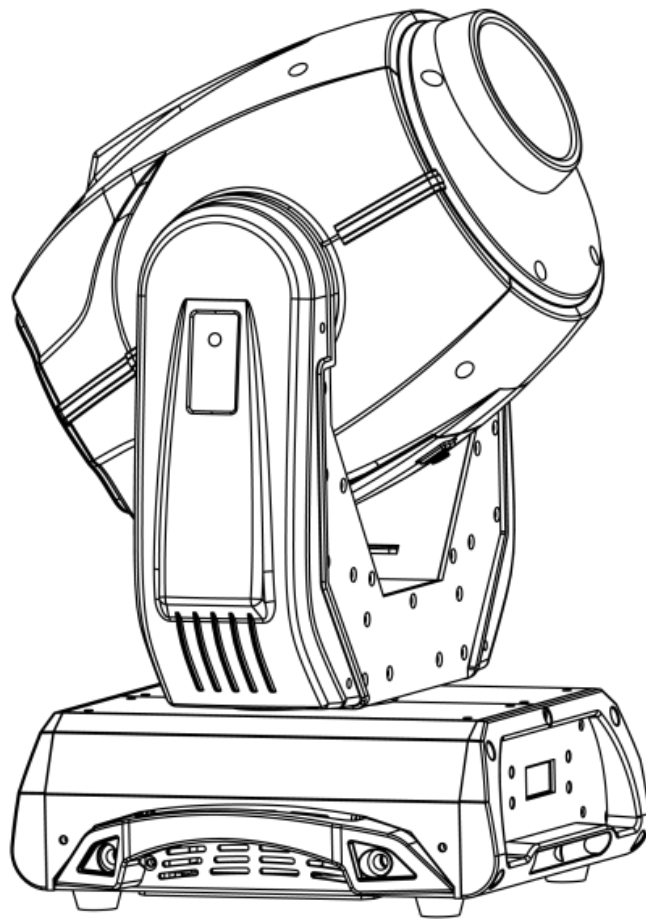


Q-SPOT™ 360-LED

User Manual



CHAUVET®
It's Green Thinking.

Edition Notes The Q-Spot™ 360-LED User Manual Rev. 3 covers the description, safety precautions, installation, programming, operation, and maintenance of the Q-Spot™ 360-LED. CHAUVET® released this edition of the Q-Spot™ 360-LED User Manual in October 2013.

Trademarks CHAUVET® is a registered trademark of CHAUVET & Sons Inc. (d/b/a CHAUVET® or Chauvet). The CHAUVET® logo in its entirety including the Chauvet name and the dotted triangle, and all other trademarks on this manual pertaining to services, products, or marketing statements (example: It's Green Thinking™) are owned or licensed by CHAUVET®. Any other product names, logos, brands, company names, and other trademarks featured or referred to within this document are the property of their respective trademark holders.

Copyright Notice CHAUVET® owns the content of this user manual in its entirety, including but not limited to pictures, logos, trademarks, and resources.

© **Copyright 2013 CHAUVET®. All rights reserved.**

Electronically published by CHAUVET® in the United States of America.

Manual Usage CHAUVET® authorizes its customers to download and print this manual for professional information purposes only. CHAUVET® expressly prohibits the usage, copy, storage, distribution, modification, or printing of this manual or its content for any other purpose without its written consent.

Document Printing For best results, print this document in color, on letter size paper (8.5 x 11 inches), double sided. If using A4 paper (210 x 297 mm), configure your printer to scale the content accordingly.

Disclaimer CHAUVET® believes that the information contained in this manual is accurate in all respects. However, CHAUVET® assumes no responsibility for any error or omissions in this document. CHAUVET® reserves the right to revise this document and to make changes from time to time in the content hereof without obligation of CHAUVET® to notify any person or company of such revision or changes. This does not constitute in any way a commitment by CHAUVET® to make such changes. CHAUVET® may issue a revision of this manual or a new edition of it to incorporate such changes.

Document Revision The Q-Spot™ 360-LED User Manual, Rev. 3, supersedes all previous versions of this manual. Replace any older versions of this manual with this version.

Author	Date	Editor	Date
D. Coupe	1/8/12	S. Diaz	1/8/12

Table of Contents

1. Before You Begin	1
What Is Included.....	1
Claims	1
Manual Conventions	1
Symbols	1
Product at a Glance.....	2
Safety Notes	2
Personal Safety.....	2
Mounting and Rigging	2
Power and Wiring.....	2
Operation	2
Expected LED Lifespan.....	2
2. Introduction	3
Product Description	3
Features	3
Product Overview	4
Product Dimensions	5
3. Setup	6
AC Power	6
AC Plug.....	6
Fuse Replacement.....	6
DMX Linking	7
DMX Modes	7
Master/Slave Connectivity.....	7
Gobo Wheels.....	8
Color Wheel.....	8
Gobo Replacement	9
Mounting.....	10
Orientation	10
Rigging.....	10
4. Operation	11
Control Panel Description.....	11
Control Options	11
Programming.....	11
Navigation Buttons	11
Product Settings.....	12
Run Mode Settings.....	13
Manual Settings	14
Service Menu	15
Menu Map.....	16
Menu Map (cont.)	17
DMX Values.....	18
DMX Values (cont.)	19
DMX Values (cont.)	20
DMX Values (cont.)	21
5. Technical Information	22
Product Maintenance	22
Returns	22

Table of Contents

6. Technical Specifications.....	23
Contact Us.....	24

1. Before You Begin

- What Is Included**
- Q-Spot™ 360-LED
 - 2 Omega Brackets
 - Warranty Card
 - Quick Reference Guide

Claims Carefully unpack the product immediately and check the box to make sure all the parts are in the package and are in good condition.

If the box or the contents (the product and included accessories) appear damaged from shipping or show signs of mishandling, notify the carrier immediately, not CHAUVET®. Failure to report damage to the carrier immediately may invalidate your claim. In addition, keep the box and contents for inspection.

For other issues, such as missing components or parts, damage not related to shipping, or concealed damage, file a claim with CHAUVET® within 7 days of delivery.

Manual Conventions

Convention	Meaning
1~512	A range of values in the text
50/60	A set of mutually exclusive values in the text
<SET>	A button on the product’s control panel
Settings	A product function or a menu option
MENU>Settings	A sequence of menu options
1~10	A range of menu values from which to choose in a menu
Yes/No	A set of two mutually exclusive menu options in a menu
ON	A unique value to be entered or selected in a menu

Symbols

Symbols	Meaning
	Critical installation, configuration, or operation information. Failure to comply with this information may cause the product not to work, damage third-party equipment, or cause harm to the operator.
	Important installation or configuration information. Failure to comply with this information may keep the product from working.
	Useful information.



The term “DMX” used throughout this manual refers to the USITT DMX512-A digital data transmission protocol.

Product at a Glance	Use on Dimmer	X	Auto Programs	P
	Outdoor Use	X	Auto-Ranging Power Supply	P
	Sound Activated	P	Replaceable Fuse	P
	DMX	P	User Serviceable	X
	Master/Slave	P	Duty Cycle	X

Safety Notes

Please read the following Safety Notes carefully before starting to work with the product. These notes provide important safety information about the installation, usage, and maintenance.



This product contains no user-serviceable parts. Any reference to servicing in this User Manual will only apply to properly trained CHAUVET®-certified technicians. Do not open the housing or attempt any repairs.



Please refer to all applicable local codes and regulations for the proper installation of the product.

Personal Safety

- Avoid direct eye exposure to the light source while the product is on.
- Always disconnect this product from its power source before servicing.
- Always connect this product to a grounded circuit to avoid the risk of electrocution.
- Do not touch this product's housing during operation because it may be very hot.

Mounting and Rigging

- This product is for indoor use only! To prevent risk of fire or shock, do not expose this product to rain or moisture.
- Make sure there are no flammable materials close to this product while it is operating.
- When hanging this product, always secure to a fastening device using a safety cable (not included).
- Always carry this product by the handles. Do not carry from the head.

Power and Wiring

- Always make sure you are connecting this product to the proper voltage in accordance with the specifications in this manual or on the product's specification label.
- Never connect this product to a dimmer pack or rheostat.
- Never disconnect this product by pulling or tugging on the power cable.

Operation

- Do not operate this product if you see damage on the housing, lenses, or cables. Have the damaged parts replaced by an authorized technician at once.
- Do not cover the ventilation slots when operating to avoid internal overheating.
- Do not aim this product toward the Sun. The lenses could concentrate the solar energy and cause internal overheating.
- The maximum ambient temperature is 104° F (40° C). Do not operate this product at a higher temperature.
- In case of a serious operating problem, stop using this product immediately!



In the unlikely event that your CHAUVET® product may require service, contact CHAUVET® Technical Support.

Expected LED Lifespan

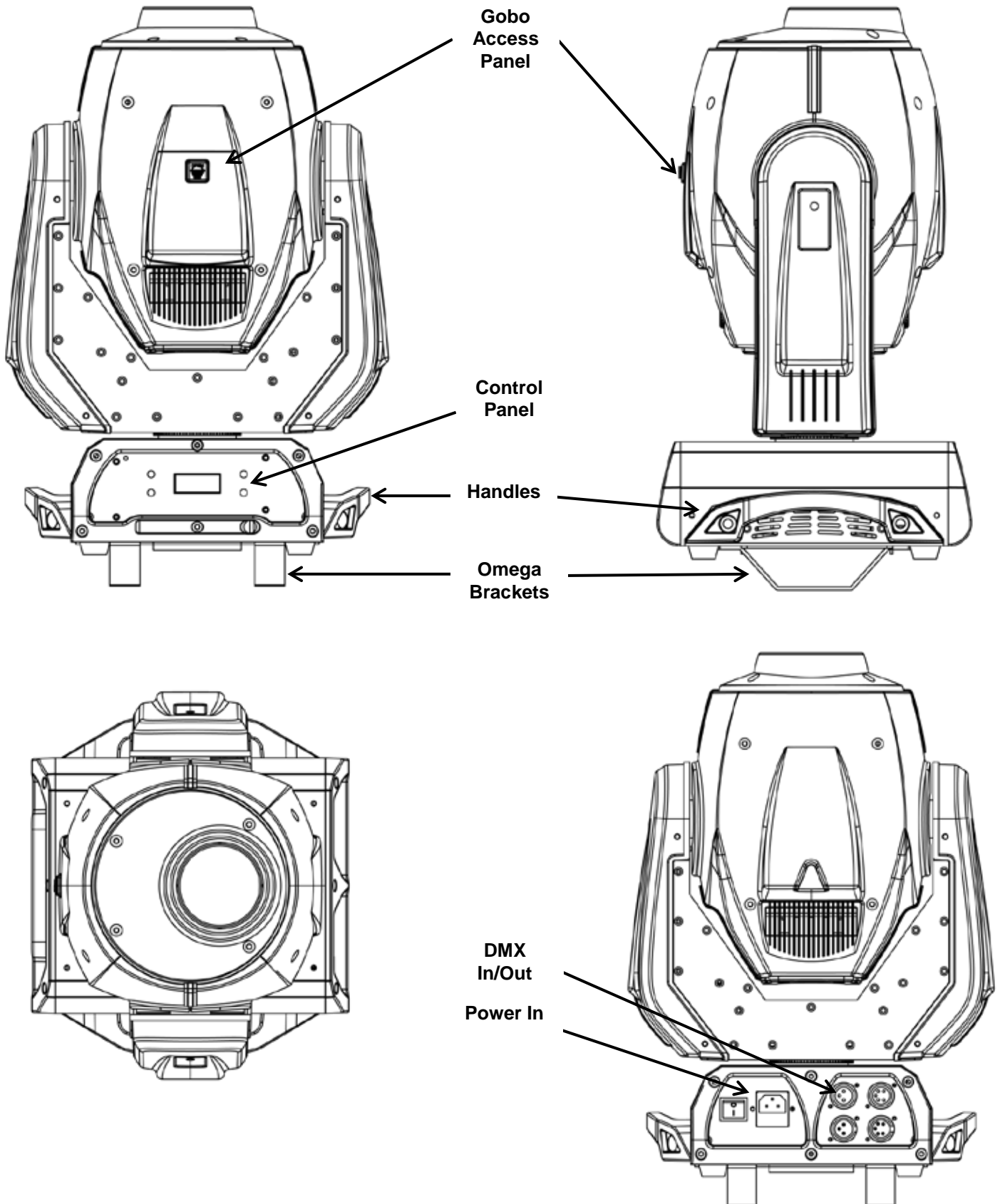
LEDs gradually decline in brightness over time, mostly because of heat. Packaged in clusters, LEDs exhibit higher operating temperatures than in ideal, single-LED conditions. For this reason, using clustered LEDs at their fullest intensity significantly reduces the LEDs' lifespan. Under normal conditions, this lifespan can be 40,000 to 50,000 hours. If extending this lifespan is vital, lower the operating temperature by improving the ventilation around the product and reducing the ambient temperature to an optimal operating range. In addition, limiting the overall projection intensity may also help to extend the LEDs' lifespan.

2. Introduction

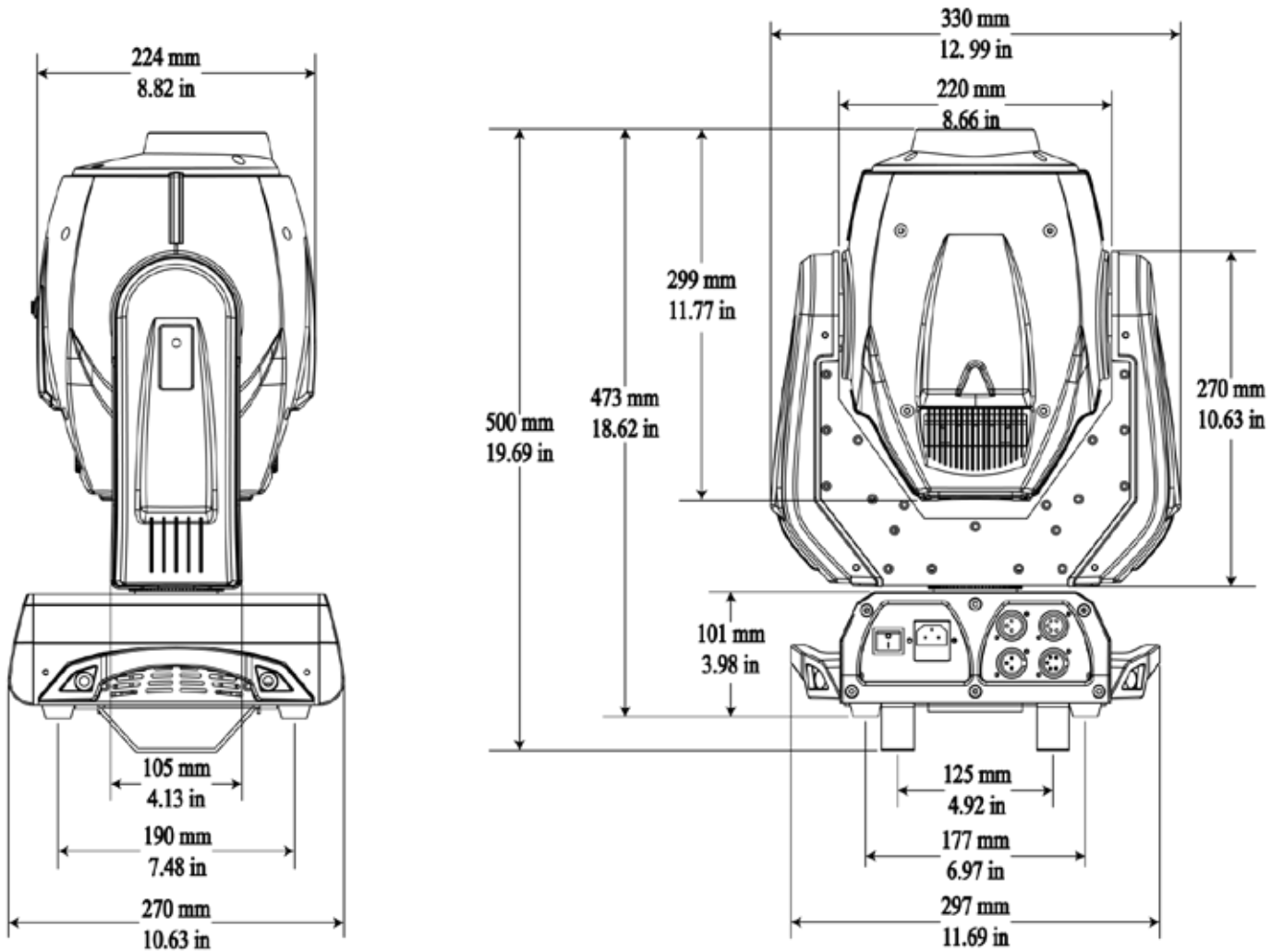
Product Description The Q-Spot™ 360-LED is a high-power, moving-yoke product equipped with 3 10-watt white LEDs. This product includes a color wheel with 7 colors, plus white, and 2 gobo wheels. Gobo wheel #1 has 8 fixed gobos plus open. Gobo wheel #2 has 7 rotating slot-n-lock gobos plus open. In addition, the Q-Spot™ 360-LED includes remote focus and a rotating 3-facet prism.

- Features**
- Patented optical and lens path for superior output
 - Crisp focus provides stunning gobo images
 - Lightweight and easy to hang
 - Quiet operation for the most discerning of installations
 - DMX channels: 11 or 14
 - Pan: 540°
 - Tilt: 270°
 - Colors wheel:
 - 7 colors plus white
 - Continuous scroll at variable speeds
 - Gobo wheel (static):
 - 8 gobos,
 - Continuous scroll at variable speeds
 - Gobo wheel (rotating):
 - 7 gobos
 - Interchangeable
 - Slot-n-lock
 - Continuous scroll at variable speed
 - 3-facet rotating prism
 - Variable electronic dimmer (0~100%)
 - Remote fixture reset
 - Move-in-black for pan/tilt
 - Built-in automated programs
 - Built-in sound-activated programs
 - 255 user-programmable steps without DMX controller
 - High-powered, 3 (10 W) LEDs
 - User-selectable pan/tilt ranges
 - Automatic pan/tilt correction
 - Reset to factory settings option
 - User-selectable basic or advanced operating modes
 - Easy access door for gobo change

Product Overview



Product Dimensions



3. Setup

AC Power

Each Q-Spot™ 360-LED has an auto-ranging power supply that works with an input voltage range of 100~240 VAC, 50/60 Hz. To determine the power requirements for each Q-Spot™ 360-LED, refer to the label affixed to the product. You can also refer to the [Technical Specifications](#).

The listed current rating indicates the maximum current draw during normal operation. For more information, you may download Sizing Circuit Breakers from the CHAUVET® website: www.chauvetpro.com.



Always connect this product to a protected circuit with an appropriate electrical ground to avoid the risk of electrocution or fire.



Never connect this product to a rheostat (variable resistor) or dimmer circuit, even if the rheostat or dimmer channel serves only as a 0 to 100% switch.

AC Plug

The Q-Spot™ 360-LED comes with a power input cord terminated with an IEC connector on one end and an Edison plug on the other end (U.S. market). If the power input cord that came with your product has no plug or you need to change the Edison plug, use the table below to wire the new plug.

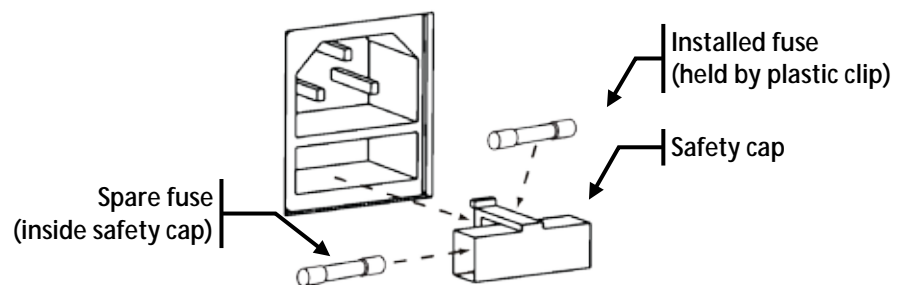
Connection	Wire (U.S.)	Wire (Europe)	Screw Color
AC Live	Black	Brown	Yellow or Brass
AC Neutral	White	Blue	Silver
AC Ground	Green/Yellow	Green/Yellow	Green



Fuse Replacement

Make sure to disconnect the product's power cord before replacing a blown fuse. Always replace with a fuse of the same type and rating.

1. Disconnect the product from power.
2. Using a flat-head screwdriver, wedge the tip into the slot of the fuse holder.
3. Pry the safety cap out of the housing to pull out the installed fuse.
4. Remove the blown fuse from the safety cap and replace with a fuse of the exact same type and rating (T 3.15 A, 250 V).
5. Insert the fuse holder back in place and reconnect the power.



DMX Linking

You can link the Q-Spot™ 360-LED to a DMX controller using a standard DMX serial connection. If using other DMX compatible products with the Q-Spot™ 360-LED, you can control each individually with a single DMX controller.

DMX Modes

The Q-Spot™ 360-LED uses the standard DMX data connection for the 11 and 14 channel DMX modes.

- Refer to the [Introduction](#) for a brief description of these modes.
- Refer to [Operation](#) to learn how to configure the Q-Spot™ 360-LED to work in these modes.
- The [DMX Values](#) section will provide you with detailed information regarding the DMX modes.

Master/Slave Connectivity

The Master/Slave mode allows a Q-Spot™ 360-LED (the “master product”) to control one or more Q-Spot™ 360-LEDs (the “slave products”) without a DMX controller. One Q-Spot™ 360-LED becomes the master product when running an Auto or Custom program.

You must configure each slave product’s control panel to operate in SLAVE mode. During Master/Slave operation, the slave products will operate in unison with the master product.



DO NOT connect a DMX controller to products operating in Master/Slave mode. The DMX controller signals may interfere with the signals from the master product.



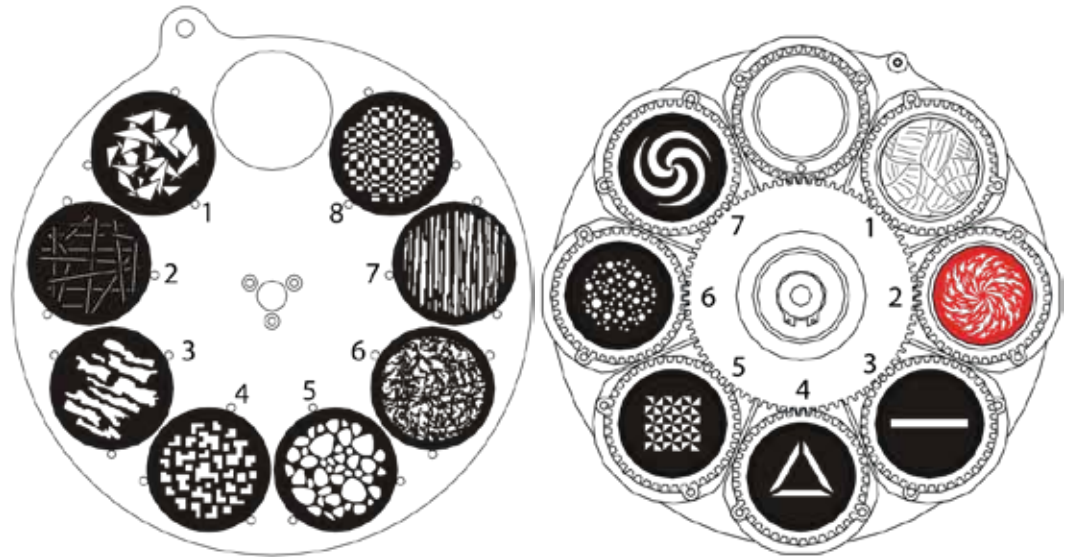
The Operation chapter of this manual provides detailed instructions on how to configure the Master and Slave products.



If you are not familiar with or need more information about DMX standards, Master/Slave connectivity, or the DMX cables needed to link this product to a DMX controller, download the DMX Primer from the CHAUVET® website: www.chauvetpro.com.

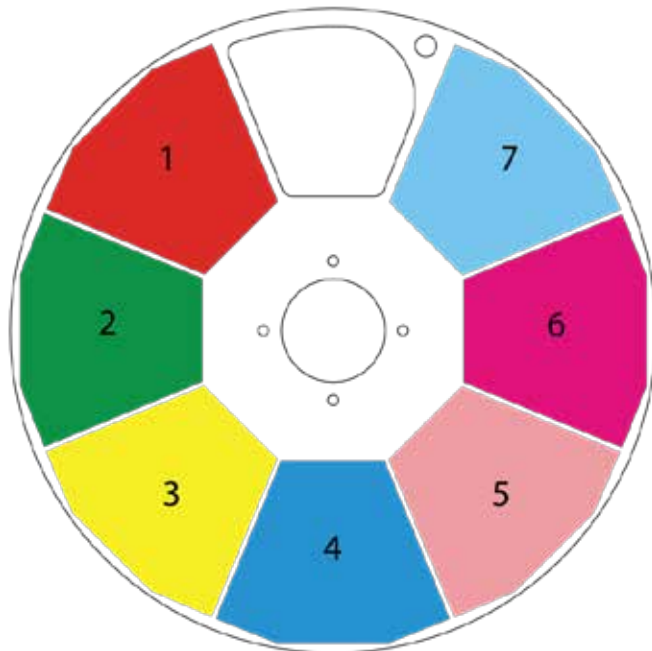
Gobo Wheels

The Q-Spot™ 360-LED includes two gobo wheels. Gobo wheel #1 has 8 fixed gobos, while gobo wheel #2 has 7 rotating gobos. The diagrams show each wheel, as per the [DMX Values](#) tables.



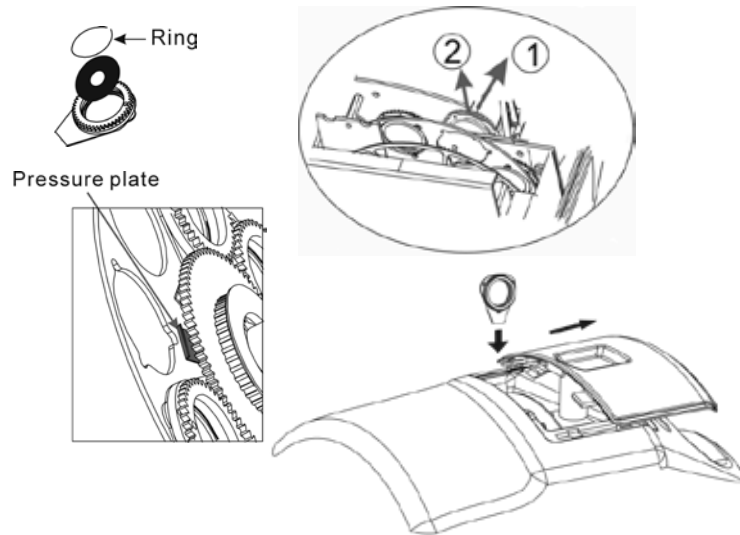
Color Wheel

The Q-Spot™ 360-LED includes one color wheel with 7 fixed colors. The diagram shows the color on the wheel, as per the [DMX Values](#) tables.



Gobo Replacement

1. Turn the product off and disconnect from power.
2. Unlock the gobo cover and slide it away.
3. Separate the gobo plate away from the gobo wheel by pushing it toward the front of the moving head (direction 1 in the diagram). Be careful not to push the gobo out of the gobo plate.
4. Extract the gobo plate by pulling it outward (direction 2 in the diagram).
5. On a flat surface, remove the expansion ring that holds the gobo in place and remove the gobo from the gobo plate.
6. Insert a new gobo and hold it in place with the expansion ring.
7. Slide the tip of the gobo plate under the pressure plate near the center of the gobo wheel.
8. Push the gobo plate inwards. **DO NOT** force the gobo plate into the gobo wheel slot. If correctly installed, the gobo plate should easily snap itself into the gobo wheel slot.



Gobo Plate #1 contains a magnet used by the product for positioning purposes. When replacing gobos, be sure to return gobo plate #1 to position #1 on the wheel.

Mounting Before mounting this product, read and follow the [Safety Notes](#).

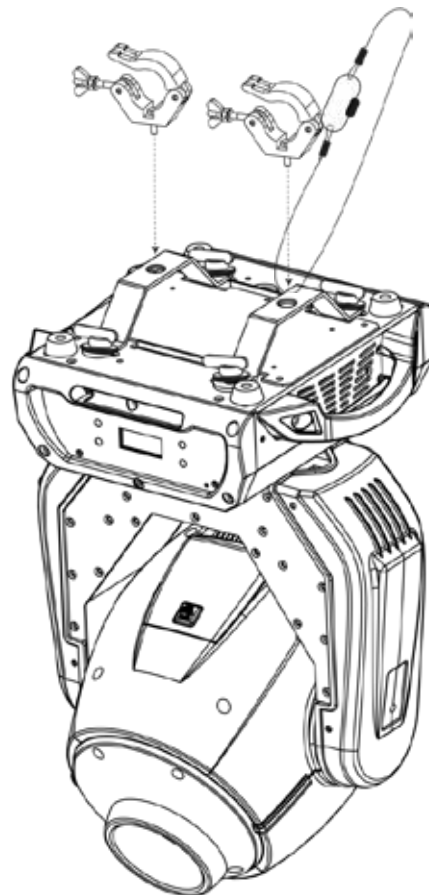
Orientation Always mount this product in a safe position and make sure there is adequate room for ventilation, configuration, and maintenance.

Rigging CHAUVET® recommends using the following general guidelines when mounting this product.

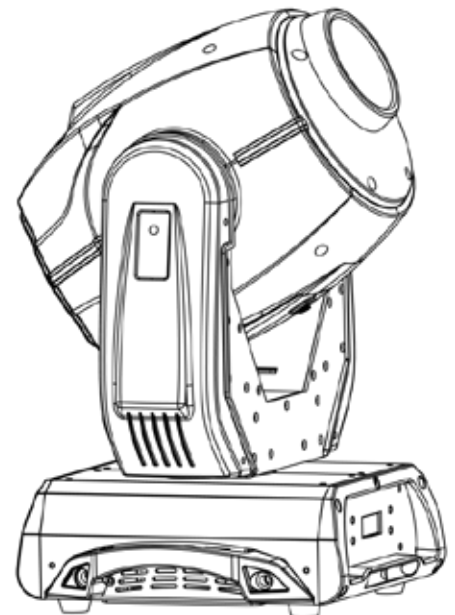
- When selecting an installation location, consider easy access to this product for operation, programming adjustments, and routine maintenance.
- Make sure to mount this product away from any flammable material as indicated in the [Safety Notes](#).
- Never mount in places where rain, high humidity, extreme temperature changes, or restricted ventilation may affect the product.
- If hanging this product, make sure that the mounting location can support the product's weight. Refer to the [Technical Specifications](#) for the weight-bearing requirements of this product.
- When hanging this product, always secure to a fastening device using a safety cable (not included).

The Q-Spot™ 360-LED comes with an already installed mounting bracket to which you will be able to attach the 2 included omega clamps. Use 2 mounting points per product. In addition, use a safety cable (not included) to link the product to the structure.

Product Mounting Diagram



Overhead Mounting



Floor Mounting

4. Operation

Control Panel Description

Button	Function
<MENU>	Exits from the current menu or function
<ENTER>	Enables the currently displayed menu or sets the currently selected value in to the current function
<UP>	Navigates upward through the menu list and increases the numeric value when in a function
<DOWN>	Navigates downward through the menu list and decreases the numeric value when in a function

Control Options

You can set the Q-Spot™ 360-LED start address in the 001~512 DMX range. This allows for the control of up to 36 products in the 14-channel **PERSON1** mode. The Q-Spot™ 360-LED works with any compatible DMX controller using standard DMX cables.

Programming

Carry out all the programming procedures indicated below from the control panel. Refer to the [Menu Map](#) page to learn how the menu options relate to each other.

Navigation Buttons

- To go to an option in the Menu Level, press <MENU> repeatedly until the option shows on the display. Press <ENTER> to select. This will take you to the first programming level for that option.
- To select an option or value within the current programming level, press <UP> or <DOWN> until the option shows on the display. Press <ENTER> to select. If there is another programming level, you will see the next option or you will see the selected value.
- To exit to the previous menu level, press <MENU>.

DMX Address

1. Select **ADDRESS**.
2. To change the current address, press <ENTER>.
 - a. Change the starting address (**001~512**).
 - b. Press <ENTER>.

DMX Mode

1. Select **PERSON**.
2. To change the current mode, press <ENTER>.
 - a. Select a DMX mode (**PERSON1/PERSON2**).
 - b. Press <ENTER>.

Product Settings

- Pan/Tilt Speed**
1. Select **SETTINGS > PERFORM > PT SPEED**.
 - a. Select **FAST** for fast movement or **SLOW** to use the normal speed.
 - b. Press **<ENTER>**.
- Reverse Pan Direction**
1. Select **SETTINGS > PERFORM > PAN INV**.
 2. To reverse the pan direction, press **<ENTER>**.
 - a. Select **INVERT** to reverse the pan direction or **NORM** to use the normal pan direction.
 - b. Press **<ENTER>**.
- Reverse Tilt Direction**
1. Select **SETTINGS > PERFORM > TILT INV**.
 2. To reverse the tilt direction, press **<ENTER>**.
 - a. Select **INVERT** to reverse the tilt direction or **NORM** to use the normal tilt direction.
 - b. Press **<ENTER>**.
- Reverse Dimmer Direction**
1. Select **SETTINGS > PERFORM > DIM INV**.
 2. To reverse the dimmer direction, press **<ENTER>**.
 - a. Select **INVERT** to reverse the dimmer direction or **NORM** to use the normal dimmer direction.
 - b. Press **<ENTER>**.
- Optics Speed**
3. Select **SETTINGS > PERFORM > OP SPEED**.
 - a. Select **FAST** for fast movement or **SLOW** to use the normal speed.
 - b. Press **<ENTER>**.
- Head Motion Blackout**
1. Select **SETTINGS > PERFORM > BLACK D**.
 2. To black out the output when the head moves, press **<ENTER>**.
 - a. Select **INSTANT** to black out the output when the head tilts or pans, or **DELAY** to keep the output on while the head moves.
 - b. Press **<ENTER>**.
- Dimmer Curve**
1. Select **SETTINGS > PERFORM > DIMMER**.
 2. To set the dimming curve, press **<ENTER>**.
 - a. Select **DIM4** (slowest) to **DIM1** (Fastest) or **OFF** (linear).
 - b. Accept the selected option.
- Loss Of Signal**
1. Select **SETTINGS > PERFORM > DMXERROR**.
 2. To choose what happens to the product when signal is lost, press **<ENTER>**.
 - a. Select **BLACK** to blackout the output during signal loss or **SAVE** to keep the last output when the signal was lost.
 - b. Press **<ENTER>**.
- Product Reset**
1. Select **SETTINGS > PERFORM > DMXRESET**.
 2. To choose whether to reset the product from the control panel or the DMX controller, press **<ENTER>**.
 - a. Select **DMX** to reset the product from a DMX controller or **DISPLAY** to reset the product from the control panel.
 - b. Press **<ENTER>**.
- Display Backlight**
1. Select **SETTINGS > PERFORM > DISPLAY**.
 2. To choose how long the backlight stays on after the last action is performed on the control panel, press **<ENTER>**.
 - a. Select **LONG**, **SHORT**, or **ALWAYS**.
 - b. Press **<ENTER>**.

- Lockout**
1. Select **SETTINGS > PERFORM > KEY LOCK**.
 2. To choose activate the password function on the control panel, press **<ENTER>**.
 - a. Select **YES** or **NO**.
 - b. Press **<ENTER>**.
- Homepage Setting**
1. Select **SETTINGS > PERFORM > HOMEPAGE**.
 2. To choose what to show on the home screen on the control panel, press **<ENTER>**.
 - a. Select **DMX**, to show only the DMX Channel or **NAME+DMX** to display what is programmed via the **CONTENT** level.
 - b. Press **<ENTER>**.
- Limit Pan/Tilt Range**
1. Select **SETTINGS > RANGE**.
 2. To set the start and end points of the pan and tilt ranges, press **<ENTER>**.
 - a. Select **P.START** and set the pan starting point between **000~255**.
 - b. Press **<ENTER>**.
 - c. Select **P.END** and set the pan ending point between **000~255**.
 - d. Press **<ENTER>**.
 - e. Select **T.START** and set the tilt starting point between **000~255**.
 - f. Press **<ENTER>**.
 - g. Select **T.END** and set the tilt ending point between **000~255**.
 - h. Press **<ENTER>**.
- Product Defaulting**
1. Select **SETTINGS > DEFAULT**.
 2. To reset the product to original factory settings, press **<ENTER>**.
 - a. Select **YES** or **NO**.
 - b. Press **<ENTER>**.
- Program Send**
1. Select **SETTINGS > SEND**.
 2. To send all settings in the Q-Spot™ 360 LED to other Q-Spot™ 360 LED products connected via Master/Slave, press **<ENTER>**.
 - a. Select **YES** or **NO**.
 - b. Press **<ENTER>**.

Run Mode Settings

- Run Mode**
1. Select **RUNMODE > RUN**.
 2. To enable DMX mode:
 - a. Select **DMX512**, press **<ENTER>**.
 3. To enable Auto modes:
 - a. Select **AUTO1** or **AUTO2**, press **<ENTER>**.
 4. To enable Sound-Active modes:
 - a. Select **SOUND1** or **SOUND2**, press **<ENTER>**.
 5. To enable Custom Program mode:
 - a. Select **CUSTOM**, press **<ENTER>**.
 6. To enable Testing mode:
 - a. Select **TEST**, press **<ENTER>**.
 7. To assign the product to Slave mode:
 - a. Select **SLAVE**, press **<ENTER>**.

- Custom Programming**
1. Select **RUNMODE > EDIT > STEP**.
 2. Select **01~49**, press **<ENTER>**.
 - a. Select **PAN**, press **<ENTER>**.
 - i. Set **000~255** to assign the Pan position.
 - b. Select **TILT**, press **<ENTER>**.
 - i. Set **000~255** to assign the Tilt position.
 - c. Select **COLOR**, press **<ENTER>**.
 - i. Set **000~255** to assign the Color Wheel value.
 - d. Select **GOBO1**, press **<ENTER>**.
 - i. Set **000~255** to assign the Gobo 1 Wheel value.
 - e. Select **GOBO2**, press **<ENTER>**.
 - i. Set **000~255** to assign the Gobo 2 Wheel value.
 - f. Select **GOBO2ROT**, press **<ENTER>**.
 - i. Set **000~255** to assign the Gobo 2 Rotation value.
 - g. Select **PRI&ROT**, press **<ENTER>**.
 - i. Set **000~255** to assign the Prism value.
 - h. Select **FOCUS**, press **<ENTER>**.
 - i. Set **000~255** to assign the Focus position.
 - i. Select **DIMMER**, press **<ENTER>**.
 - i. Set **000~255** to assign the Dimmer value.
 - j. Select **STROBE**, press **<ENTER>**.
 - i. Set **000~255** to assign the Strobe value.
 - k. Select **TIME**, press **<ENTER>**.
 - i. Set **000~255** to assign the Step duration.
 - l. Select **USE**, press **<ENTER>**.
 - i. Select **YES** to save the settings, **NO** to discard them.

- Program Send**
1. Select **RUNMODE > SEND**.
 2. To send Run mode settings in the Q-Spot™ 360 LED to other Q-Spot™ 360 LED products connected via Master/Slave, press **<ENTER>**.
 - a. Select **YES** or **NO**.
 - b. Press **<ENTER>**.

Manual Settings

- Reset Custom Settings**
1. Select **MANUAL > RESET**.
 2. To reset the custom, press **<ENTER>**.
 - a. Select **YES** to turn the LCD around or **NO** to keep the normal LCD view.
 - b. Accept the selected option.

- Manual Control**
1. Select **MANUAL > DMXvalue**.
 - a. Select **PAN**, press **<ENTER>**.
 - i. Set **000~255** to assign the Pan position.
 - b. Select **TILT**, press **<ENTER>**.
 - i. Set **000~255** to assign the Tilt position.
 - c. Select **COLOR**, press **<ENTER>**.
 - i. Set **000~255** to assign the Color Wheel value.
 - d. Select **GOBO1**, press **<ENTER>**.
 - i. Set **000~255** to assign the Gobo 1 Wheel value.
 - e. Select **GOBO2**, press **<ENTER>**.
 - i. Set **000~255** to assign the Gobo 2 Wheel value.
 - f. Select **GOBO2ROT**, press **<ENTER>**.
 - i. Set **000~255** to assign the Gobo 2 Rotation value.
 - g. Select **PRI&ROT**, press **<ENTER>**.
 - i. Set **000~255** to assign the Prism value.
 - h. Select **FOCUS**, press **<ENTER>**.
 - i. Set **000~255** to assign the Focus position.
 - i. Select **DIMMER**, press **<ENTER>**.
 - i. Set **000~255** to assign the Dimmer value.
 - j. Select **STROBE**, press **<ENTER>**.
 - i. Set **000~255** to assign the Strobe value.

Service Menu

- Settings Menu Lock-Out**
1. Select **SERVICE > ACCESS > SETTLOCK**.
 2. To set the Settings Menu level lock-out, press **<ENTER>**.
 - a. Select **YES** to enable or **NO** to disable.
 - b. Press **<ENTER>**.
- Service Menu Lock-Out**
1. Select **SERVICE > ACCESS > SERVLOCK**.
 2. To set the Service Menu level lock-out, press **<ENTER>**.
 - a. Select **YES** to enable or **NO** to disable.
 - b. Press **<ENTER>**.
- Software Version**
1. Select **SERVICE > INFO > VERSION**.
 - a. Press **<ENTER>**.
- Home Screen**
1. Select **SERVICE > CONTENT > DISPLAY1**.
 2. Use the **<UP>** and **<DOWN>** keys to select the first of 8 characters to show on the home screen, press **<ENTER>**.
- Content Send**
1. Select **SERVICE > CONTENT > SEND**.
 2. To send Content mode settings in the Q-Spot™ 360 LED to other Q-Spot™ 360 LED products connected via Master/Slave, press **<ENTER>**.
 - a. Select **YES** or **NO**.
 - b. Press **<ENTER>**.

Menu Map

Main Level	Programming Levels		Description	
ADDRESS	001~512		Selects a starting DMX address	
PERSON	PERSON 1		Selects the 14-channel DMX mode	
	PERSON 2		Selects the 11-channel DMX mode	
SETTINGS	PERFORM	PT SPEED	FAST	Defines the pan/tilt speed
			SLOW	
		PAN INV	NORM	Defines the direction of pan function
			INVERT	
		TILT INV	NORM	Defines the direction of tilt function
			INVERT	
		OP SPEED	FAST	Defines the optics speed
			SLOW	
		BLACK D	INSTANT	Defines the move-in black delay
			DELAY	
		DIMMER	DIM4	Slow (DIM4) to fast (DIM1) dimmer curves
			DIM3	
			DIM2	
			DIM1	
		DIM INV	OFF	Linear dimmer
			NORM	Defines the direction of the dimmer function
		DMXERROR	INVERT	
			DMXRESET	SAVE
	BLACK	All LEDs off when DMX signal is lost		
	DISPLAY	DMX	The DMX controller can reset the fixture	
			DISPLAY	The control panel can reset the fixture
		KEY LOCK	LONG	Defines the amount of time the display backlight is on
	SHORT			
	ALWAYS			
	HOMEPAGE	YES	Activates the control panel password	
		NO		
	RANGE	DMX	Sets the display to show only the DMX channel when idle	
NAME+DMX			Display what is programmed via CONTENT level when idle	
P.START		000~255	Sets the pan start point (restricted range)	
			P.END	Sets the pan end point (restricted range)
T.START	Sets the tilt start point (restricted range)			
T.END	Sets the tilt end point (restricted range)			
DEFAULT	NO	Sets unit back to default factory settings		
	YES			
SEND	YES	Sends all settings of this product to all other Q-Spot™ 360 LED products connected via master/slave		
	NO			

Menu Map (cont.)

Main Level	Programming Levels			Description		
RUNMODE	RUN			DMX512	Selects DMX512-A running mode	
				AUTO1	Selects the first automatic program	
				AUTO2	Selects the second automatic program	
				SOUND1	Selects the first sound-activated program	
				SOUND2	Selects the second sound program	
				CUSTOM	Selects the user-customizable program	
				TEST	Selects the fixture's test sequence	
				SLAVE	Selects the Slave running mode	
	EDIT	STEP	01~49	PAN	000~255	Selects the pan position
				TILT		Selects the tilt position
				COLOR		Selects the color (color wheel)
				GOBO1		Selects a fixed gobo (static or shake)
				GOBO2		Selects a rotating gobo (static or shake)
				GOBO2ROT		Selects the gobo rotation mode
				PRI&ROT		Selects the prism rotation mode
				FOCUS		Selects a focus point
				DIMMER		Selects the dimmer value
				STROBE		Selects the strobe value
				TIME		Selects the step duration
					USE	YES NO
SEND			NO YES	Sends RUNMODE settings of this product to all other Q-Spot™ 360 LED products connected via master/slave		
RESET			NO YES	Resets the product's custom settings		
MANUAL	DMXvalue			PAN	000~255	Selects the pan position
				TILT		Selects the tilt position
				COLOR		Selects the color (color wheel)
				GOBO1		Selects a fixed gobo (static or shake)
				GOBO2		Selects a rotating gobo (static or shake)
				GOBO2ROT		Selects the gobo rotation mode
				PRI&ROT		Selects the prism rotation mode
				FOCUS		Selects a focus point
				DIMMER		Selects the dimmer value
				STROBE		Selects the strobe value
SERVICE	ACCESS		SETTLOCK	OFF	Activates/deactivates the SETTINGS main level passcode	
				ON		
			SERVLOCK	OFF	Activates/deactivates the SERVICE main level passcode	
				ON		
	INFO		VERSION		Shows the version of the installed software	
	CONTENT		DISPLAY1		*****	Allows 8 characters of text to be displayed on the control panel
SEND			NO	Sends CONTENT settings of this product to all other Q-Spot™ 360 LED products connected via master/slave		
			YES			

DMX Values

Person 1

Channel	Function	Value	Percent/Setting
1	Pan	000 ó 255	0~540°
2	Pan Fine	000 ó 255	Fine pan control 0~3°
3	Tilt	000 ó 255	0~270°
4	Tilt Fine	000 ó 255	Fine tilt control 0~3°
5	Pan/Tilt Speed	000 ó 255	Fast to Slow
6	Color Wheel	000 ó 009	No Function
		010 ó 019	Red
		020 ó 029	Green
		030 ó 039	Yellow
		040 ó 049	Blue
		050 ó 059	Orange
		060 ó 069	Magenta
		070 ó 079	Light Blue
		080 ó 099	Light Blue/Magenta
		100 ó 119	Magenta/Orange
		120 ó 139	Orange/Blue
		140 ó 159	Blue/Yellow
		160 ó 179	Yellow/Green
180 ó 199	Green/Red		
200 ó 219	Red/Open		
220 ó 255	Rainbow or Linear Effect		
7	Gobo Wheel 1	000 ó 010	No gobo
		011 ó 020	Gobo 1
		021 ó 030	Gobo 2
		031 ó 040	Gobo 3
		041 ó 050	Gobo 4
		051 ó 060	Gobo 5
		061 ó 070	Gobo 6
		071 ó 080	Gobo 7
		081 ó 090	Gobo 8
		091 ó 105	Shaking gobo 8
		106 ó 120	Shaking gobo 7
		121 ó 135	Shaking gobo 6
		136 ó 150	Shaking gobo 5
		151 ó 165	Shaking gobo 4
		166 ó 180	Shaking gobo 3
		181 ó 195	Shaking gobo 2
		196 ó 210	Shaking gobo 1
211 ó 255	Flow effect		
8	Gobo Wheel 2	000 ó 010	No gobo
		011 ó 020	Gobo 1
		021 ó 030	Gobo 2
		031 ó 040	Gobo 3
		041 ó 050	Gobo 4
		051 ó 060	Gobo 5
		061 ó 070	Gobo 6
		071 ó 080	Gobo 7
		081 ó 095	Shaking gobo 7
		096 ó 110	Shaking gobo 6
		111 ó 125	Shaking gobo 5
		126 ó 140	Shaking gobo 4
		141 ó 155	Shaking gobo 3
		156 ó 170	Shaking gobo 2
		171 ó 185	Shaking gobo 1
		186 ó 255	Flow effect

DMX Values (cont.)

Person 1

Channel	Function	Value	Percent/Setting
9	Gobo Wheel 2 Rotation	000 ó 060	360° Indexing
		061 ó 150	Clockwise Rotation ~ Slow to Fast
		151 ó 165	No Function
		166 ó 255	Counter-Clockwise Rotation ~ Slow to Fast
10	Prism Rotation	000 ó 004	No Function
		005 ó 009	No Rotation
		010 ó 127	Counter-clockwise rotation ~ Slow to Fast
		128 ó 132	No Rotation
		133 ó 255	Clockwise rotate ~ Slow to Fast
11	Focus	000 ó 255	0~100%
12	Dimmer	000 ó 255	0~100%
13	Strobe	000 ó 031	Close
		032 ó 063	Open
		064 ó 095	Strobe 0~20Hz
		096 ó 127	Open
		128 ó 159	Pulse Effect
		160 ó 191	Open
		192 ó 223	Random Effect
		224 ó 255	Open
14	Control	000 ó 019	No function
		020 ó 039	Pan/tilt black activation
		040 ó 059	Pan/tilt black deactivation
		060 ó 139	No function
		140 ó 149	Auto program 1 (3 sec activation delay)
		150 ó 159	Auto program 2 (3 sec activation delay)
		160 ó 169	Test (3 sec activation delay)
		170 ó 179	Custom program (3 sec activation delay)
		180 ó 189	Sound 1
		190 ó 199	Sound 2
		200 ó 219	Reset (3 sec activation delay)
		220 ó 235	Dim setting as set in product
		236 ó 239	DIM0 (3 sec activation delay)
		240 ó 243	DIM1 (3 sec activation delay)
		244 ó 247	DIM2 (3 sec activation delay)
		248 ó 251	DIM3 (3 sec activation delay)
		252 ó 255	DIM4 (3 sec activation delay)

DMX Values (cont.)

Person 2

Channel	Function	Value	Percent/Setting
1	Pan	000 ó 255	0~540°
2	Tilt	000 ó 255	0~270°
3	Color Wheel	000 ó 009 010 ó 019 020 ó 029 030 ó 039 040 ó 049 050 ó 059 060 ó 069 070 ó 079 080 ó 099 100 ó 119 120 ó 139 140 ó 159 160 ó 179 180 ó 199 200 ó 219 220 ó 255	No Function Red Green Yellow Blue Orange Magenta Light Blue Light Blue/Magenta Magenta/Orange Orange/Blue Blue/Yellow Yellow/Green Green/Red Red/Open Rainbow or Linear Effect
4	Gobo Wheel 1	000 ó 010 011 ó 020 021 ó 030 031 ó 040 041 ó 050 051 ó 060 061 ó 070 071 ó 080 081 ó 090 091 ó 105 106 ó 120 121 ó 135 136 ó 150 151 ó 165 166 ó 180 181 ó 195 196 ó 210 211 ó 255	No gobo Gobo 1 Gobo 2 Gobo 3 Gobo 4 Gobo 5 Gobo 6 Gobo 7 Gobo 8 Shaking gobo 8 Shaking gobo 7 Shaking gobo 6 Shaking gobo 5 Shaking gobo 4 Shaking gobo 3 Shaking gobo 2 Shaking gobo 1 Flow effect
5	Gobo Wheel 2	000 ó 010 011 ó 020 021 ó 030 031 ó 040 041 ó 050 051 ó 060 061 ó 070 071 ó 080 081 ó 095 096 ó 110 111 ó 125 126 ó 140 141 ó 155 156 ó 170 171 ó 185 186 ó 255	No gobo Gobo 1 Gobo 2 Gobo 3 Gobo 4 Gobo 5 Gobo 6 Gobo 7 Shaking gobo 7 Shaking gobo 6 Shaking gobo 5 Shaking gobo 4 Shaking gobo 3 Shaking gobo 2 Shaking gobo 1 Flow effect

DMX Values (cont.)

Person 2

Channel	Function	Value	Percent/Setting
6	Gobo Wheel 2 Rotation	000 ó 060	360° Indexing
		061 ó 150	Clockwise Rotation ~ Slow to Fast
		151 ó 165	No Function
		166 ó 255	Counter-Clockwise Rotation ~ Slow to Fast
7	Prism Rotation	000 ó 004	No Function
		005 ó 009	No Rotation
		010 ó 127	Counter-Clockwise Rotation ~ Slow to Fast
		128 ó 132	No Rotation
		133 ó 255	Clockwise rotate ~ Slow to Fast
8	Focus	000 ó 255	0~100%
9	Dimmer	000 ó 255	0~100%
10	Strobe	000 ó 031	Close
		032 ó 063	Open
		064 ó 095	Strobe 0~20Hz
		096 ó 127	Open
		128 ó 159	Pulse Effect
		160 ó 191	Open
		192 ó 223	Random Effect
		224 ó 255	Open
11	Control	000 ó 019	No function
		020 ó 039	Pan/tilt black activation
		040 ó 059	Pan/tilt black deactivation
		060 ó 139	No function
		140 ó 149	Auto program 1 (3 sec activation delay)
		150 ó 159	Auto program 2 (3 sec activation delay)
		160 ó 169	Test (3 sec activation delay)
		170 ó 179	Custom program (3 sec activation delay)
		180 ó 189	Sound 1
		190 ó 199	Sound 2
		200 ó 219	Reset (3 sec activation delay)
		220 ó 235	Dim setting as set in product
		236 ó 239	DIM0 (3 sec activation delay)
		240 ó 243	DIM1 (3 sec activation delay)
		244 ó 247	DIM2 (3 sec activation delay)
		248 ó 251	DIM3 (3 sec activation delay)
		252 ó 255	DIM4 (3 sec activation delay)

5. Technical Information

Product Maintenance

To maintain optimum performance and minimize wear, you should clean this product frequently. Usage and environment are contributing factors in determining the cleaning frequency.

As a rule, clean this product at least twice a month. Dust build-up reduces light output performance and can cause overheating. This can lead to reduced light source life and increased mechanical wear.

To clean your product:

- Unplug the product from power.
- Wait until the product has cooled.
- Use a vacuum (or dry compressed air) and a soft brush to remove dust collected on the external vents and accessible internal components.
- Clean all external optics and glass/plastic surfaces with a mild solution of non-ammonia glass cleaner or isopropyl alcohol.
- Apply the solution directly to a soft, lint-free cotton cloth or a lens cleaning tissue.
- Wipe any dirt or grime to the outside edges of the lens, glass, or plastic surface.
- Gently polish the lenses until they are free of haze and lint..



Always dry the external optics, glass, and plastic surfaces thoroughly after cleaning them.



Refrain from spinning this product's fans using compressed air.

Returns

The user must send the merchandise prepaid, in the original box, and with its original packing and accessories. CHAUVET® will not issue call tags.

Call CHAUVET® and request a Return Merchandise Authorization (RMA) number before shipping the product. Be prepared to provide the model number, serial number, and a brief description of the cause(s) for the return.

The user must clearly label the package with an RMA number. CHAUVET® will refuse any product returned without an RMA number.



DO NOT write the RMA number directly on the box. Instead, write it on a properly affixed label.

Once you have received the RMA number please include the following information on a piece of paper inside the box:

- Your name
- Your address
- Your phone number
- The RMA number
- A brief description of the problem(s)

Be sure to pack the product properly. Any shipping damage resulting from inadequate packaging will be the customer's responsibility. Proper FedEx packing or double-boxing are recommended packaging methods.



CHAUVET® reserves the right to use its own discretion to repair or replace returned product(s).

6. Technical Specifications

Dimensions and Weight	Length	Width	Height	Weight
	13 in (330 mm)	10.6 in (270 mm)	18.6 in (473 mm)	22 lbs (10 kg)
Note: Dimensions in inches rounded to the nearest decimal digit.				
Electrical	Power Supply Type	Range		Voltage Selection
	Switching (internal)	100~240 V, 50/60 Hz		Auto-ranging
	Parameter	120 V, 60 Hz	208 V 60 Hz	230 V, 50 Hz
	Consumption	74 W	71 W	72 W
	Operating	1.023 A	.572 A	.541 A
	Fuse/Breaker	T 3.15 A, 250 V	T 3.15 A, 250 V	T 3.15 A, 250 V
	Power I/O	US/Worldwide		Europe
	Power input connector	IEC		IEC
	Power output connector	Edison		IEC
	Power cord plug	Edison (US)		Local plug
Gobo Sizes	Gobo Wheel 2	Gobo Dimentions		
	Outside	25.8 mm		
	Image	20.45 mm		
	Thickness	1.35 mm		
Light Source	Type	Power	Lifespan	
	LED	10 W	50,000 hours	
	Color	Quantity	Current	
	White	3	3 A	
Photo Optic	Parameter	Standard Optics		
	Illuminance @ 5 m	1100 lx		
	Beam angle	16°		
Thermal	Max. External Temperature	Cooling System		
	104° F (40° C)	Fan Assisted Convection		
DMX	I/O Connectors	Connector Type	Channel Range	
	3- and 5-pin XLR	Sockets	11,14	
Ordering	Product Name	Item Code	UPC Number	
	Q-Spot™ 360-LED	01010564	781462209124	

Contact Us **World Headquarters**

CHAUVET®

General Information

Address: 5200 NW 108th Avenue
Sunrise, FL 33351
Voice: (954) 929-1115
Fax: (954) 929-5560
Toll free: (800) 762-1084

Technical Support

Voice: (954) 929-1115 (Press 4)
Fax: (954) 756-8015
Email: tech@chauvetlighting.com

World Wide Web

www.chauvetlighting.com

United Kingdom and Ireland

CHAUVET® Europe Ltd.

General Information

Address: Unit 1C
Brookhill Road Industrial Estate
Pinxton, Nottingham, UK
NG16 6NT

Voice: +44 (0)1773 511115
Fax: +44 (0)1773 511110

Technical Support

Email: uktech@chauvetlighting.com

World Wide Web

www.chauvetlighting.co.uk



UL 1573
CSA C22.2 No. 166
E113093

