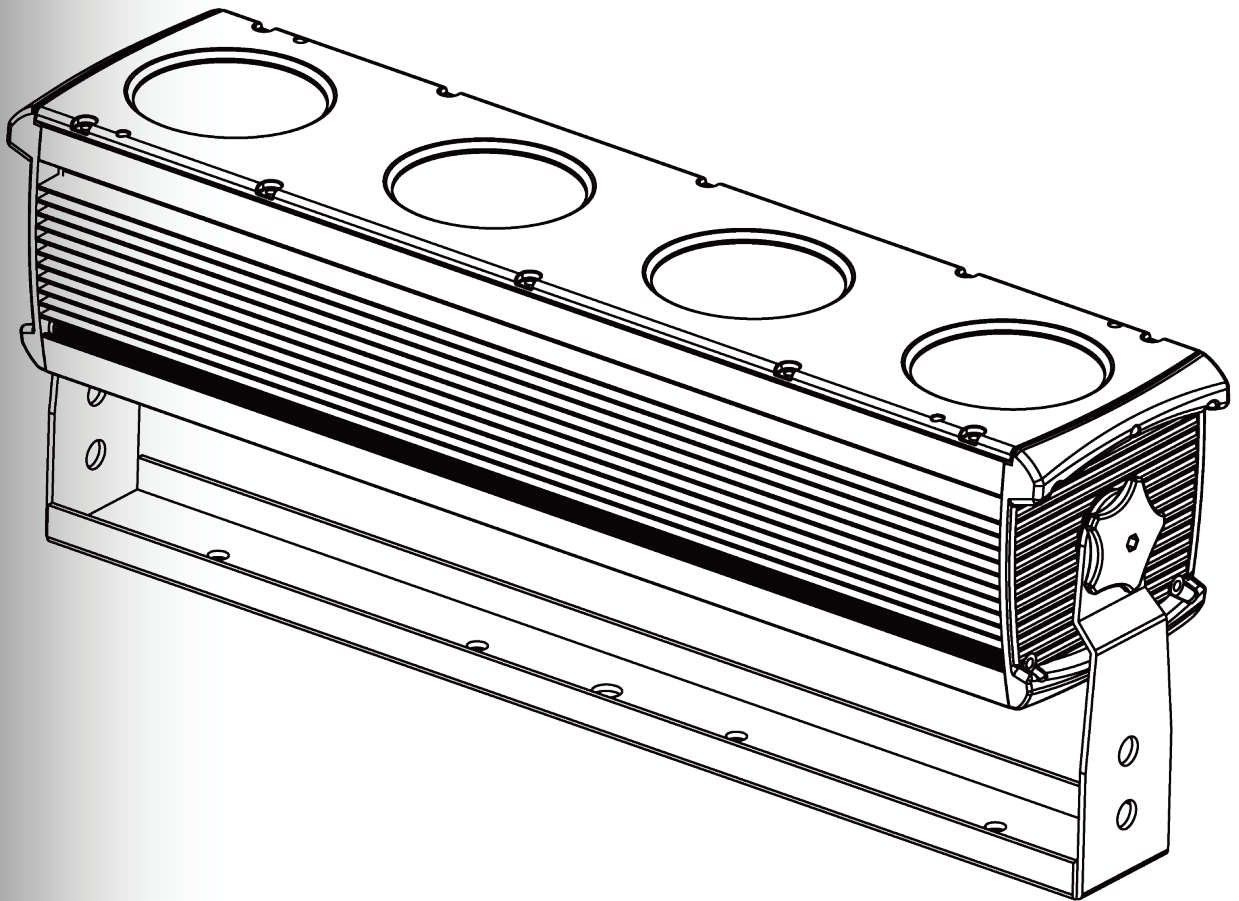


# COLORADO™ 4 IP

## User Manual



**CHAUVET.**  
It's Green Thinking.®

**Edition Notes** The COLORado™ 4 IP User Manual Rev. 1 covers the description, safety precautions, installation, programming, operation, and maintenance of the COLORado™ 4 IP. CHAUVET® released this edition of the COLORado™ 4 IP User Manual in February 2013.

**Trademarks** CHAUVET® is a registered trademark of CHAUVET & Sons Inc. (d/b/a CHAUVET® or Chauvet). The CHAUVET® logo in its entirety, including the CHAUVET® name and the dotted triangle, and all other trademarks in this manual pertaining to services, products, or marketing statements (example: It's Green Thinking™) are owned or licensed by CHAUVET®. Any other product names, logos, brands, company names, and other trademarks featured or referred to within this document are the property of their respective trademark holders.

**Copyright Notice** CHAUVET® owns the content of this User Manual in its entirety, including, but not limited to, pictures, logos, trademarks, and resources.

© **Copyright 2013 CHAUVET®. All rights reserved.**

Electronically published by CHAUVET® in the United States of America.

**Manual Use** CHAUVET® authorizes its customers to download and print this manual for professional information purposes only. CHAUVET® expressly prohibits the usage, copy, storage, distribution, modification, or printing of this manual or its content for any other purpose without written consent from CHAUVET®.

**Document Printing** For better results, print this document in color, on letter size paper (8.5 x 11 in), double-sided. If using A4 paper (210 x 297 mm), configure your printer to scale the content accordingly.

**Intended Audience** Any person in charge of installing, operating, and/or maintaining this product should completely read through the guide that shipped with the product, as well as this manual, before installing, operating, or maintaining this product.

### Disclaimer

CHAUVET® believes that the information contained in this manual is accurate in all respects. However, CHAUVET® assumes no responsibility for any errors or omissions in this document. CHAUVET® reserves the right to revise and make changes to the content of this document without obligation that CHAUVET® notify any person or company of such revision or changes. This does not in any way constitute a commitment by CHAUVET® to make such changes. CHAUVET® may issue a revision of this manual or a new edition to incorporate such changes.

**Document Revision** The COLORado™ 4 IP User Manual Rev. 1 supersedes all previous versions of this manual. Discard any older versions of this manual and replace with this version.

Author	Date	Editor	Date
D. Coupe	2/15/13	S. Diaz	2/18/13

# Table of Contents

- 1. Before You Begin ..... 1**
  - What Is Included ..... 1
    - Claims ..... 1
    - Manual Conventions ..... 1
    - Symbols ..... 1
  - Product at a Glance ..... 2
  - Safety Notes ..... 2
    - Personal Safety ..... 2
    - Mounting and Rigging ..... 2
    - Power and Wiring ..... 2
    - Operation ..... 2
  - Expected LED Lifespan ..... 2
- 2. Introduction ..... 3**
  - Product Description ..... 3
  - Features ..... 3
  - Product Overview ..... 4
  - Product Dimensions ..... 5
- 3. Setup ..... 6**
  - AC Power ..... 6
    - AC Plug ..... 6
  - Power Linking ..... 7
  - DMX Linking ..... 7
    - DMX Modes ..... 7
    - Master/Slave Connectivity ..... 7
  - Mounting ..... 8
    - Orientation ..... 8
    - Rigging ..... 8
- 4. Operation ..... 9**
  - Control Panel Description ..... 9
  - Control Options ..... 9
  - Programming ..... 9
    - DMX Personality ..... 10
    - DMX Control ..... 10
    - Loss of Signal Setting ..... 10
    - Static Color ..... 10
    - Auto Programs ..... 11
    - Edit Customs ..... 11
    - Master/Slave ..... 11
    - Color Settings ..... 11
    - Dimmer Curves ..... 12
    - Curve Settings ..... 12
    - Control Panel Lock ..... 12
    - Password ..... 12
    - Settings Lock Out ..... 12
    - Program Upload ..... 13
    - Reset ..... 13
    - Calibration Settings Reset ..... 13
    - Whites Setting ..... 14
    - White Calibration ..... 14
    - Strobe Personality ..... 14
  - Menu Map ..... 15
  - Menu Map (Continued) ..... 16
  - DMX Values ..... 17



DMX Values (Continued).....18  
DMX Values (Continued).....19  
DMX Values (Continued).....20  
DMX Values (Continued).....21  
DMX Values (Continued).....22  
DMX Values (Continued).....23  
**5. Technical Information .....24**  
Product Maintenance .....24  
Returns .....24  
Technical Specifications.....25  
Contact Us.....26

# 1. Before You Begin

- What Is Included**
- COLORado™ 4 IP
  - IP66 Power Input Cord
  - Male/Female 5-pin IP66 Adaptor
  - Warranty Card
  - Quick Reference Guide

**Claims** Carefully unpack the product immediately and check the box to make sure all the parts are in the package and are in good condition.




If the box or the contents (the product and included accessories) appear damaged from shipping or show signs of mishandling, notify the carrier immediately, not CHAUVET®. Failure to report damage to the carrier immediately may invalidate your claim. In addition, keep the box and contents for inspection.

For other issues, such as missing components or parts, damage not related to shipping, or concealed damage, file a claim with CHAUVET® within 7 days of delivery.

**Manual Conventions**

Convention	Meaning
1~512	A range of values in the text
50/60	A set of mutually exclusive values in the text
<SET>	A button on the product’s control panel
Settings	A product function or a menu option
<b>MENU&gt;Settings</b>	A sequence of menu options
1~10	A range of menu values from which to choose in a menu
Yes/No	A set of two mutually exclusive menu options in a menu
ON	A unique value to be entered or selected in a menu

**Symbols**

Symbols	Meaning
	Critical installation, configuration, or operation information. Failure to comply with this information may cause the product not to work, damage third-party equipment, or cause harm to the operator.
	Important installation or configuration information. Failure to comply with this information may keep the product from working.
	Useful information.



The term “DMX” used throughout this manual refers to the USITT DMX512-A digital data transmission protocol.

**Product at a Glance**

Use on Dimmer	⊘	Auto Programs	✓
Outdoor Use	✓	Auto-Ranging Power Supply	✓
Sound Activated	⊘	Replaceable Fuse	✓
DMX	✓	User Serviceable	⊘
Master/Slave	✓	Duty Cycle	⊘

**Safety Notes**

Read all the following Safety Notes before working with this product. These notes include important information about the installation, usage, and maintenance of this product.



**This product contains no user-serviceable parts. Any reference to servicing in this User Manual applies to properly trained CHAUVET® certified technicians. Do not open the housing or attempt any repairs.**



**All applicable local codes and regulations apply to the proper installation of this product.**

**Personal Safety**

- Avoid direct eye exposure to the light source while the product is on.
- Always disconnect this product from its power source before servicing.
- Always connect this product to a grounded circuit to avoid the risk of electrocution.
- Do not touch this product's housing during operation because it may be very hot.
- DO NOT submerge this product (IP66). Regular outdoor operation is fine.
- Make sure there are no flammable materials close to this product while it is operating.
- When hanging this product, always secure to a fastening device using a safety cable (included).

**Mounting and Rigging**

**Power and Wiring**

- Always make sure you are connecting this product to the proper voltage in accordance with the specifications in this manual or on the product's specification label.
- Never connect this product to a dimmer pack or rheostat.
- Never disconnect this product by pulling or tugging on the power cable.
- Do not operate this product if you see damage on the housing, lenses, or cables. Have the damaged parts replaced by an authorized technician at once.
- Do not cover the ventilation slots when operating to avoid internal overheating.
- The maximum ambient temperature is 104° F (40° C). Do not operate this product at a higher temperature.
- In case of a serious operating problem, stop using this product immediately!

**Operation**



**Expected LED Lifespan**

**In the unlikely event that your CHAUVET® product may require service, contact CHAUVET® Technical Support.**

LEDs gradually decline in brightness over time, mostly because of heat. Packaged in clusters, LEDs exhibit higher operating temperatures than in ideal, single-LED conditions. For this reason, using clustered LEDs at their fullest intensity significantly reduces the LEDs' lifespan. Under normal conditions, this lifespan can be 40,000 to 50,000 hours. If extending this lifespan is vital, lower the operating temperature by improving the ventilation around the product and reducing the ambient temperature to an optimal operating range. In addition, limiting the overall projection intensity may also help to extend the LEDs' lifespan.

## 2. Introduction

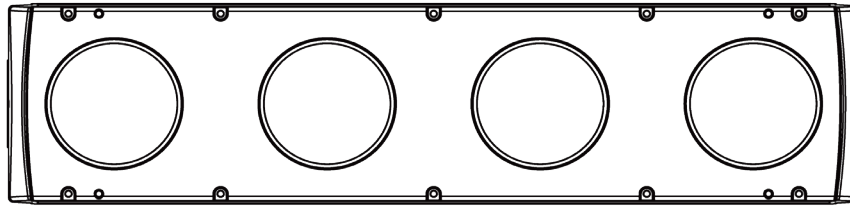
### Product Description

The COLORado™ 4 IP is a high-power quad-color RGBW LED linear wash product. This product consists of four modules that house the internal power supply, the main control, the control panel, the LED drivers, the LED boards, as well as the IP66-rated power and signal connectors.

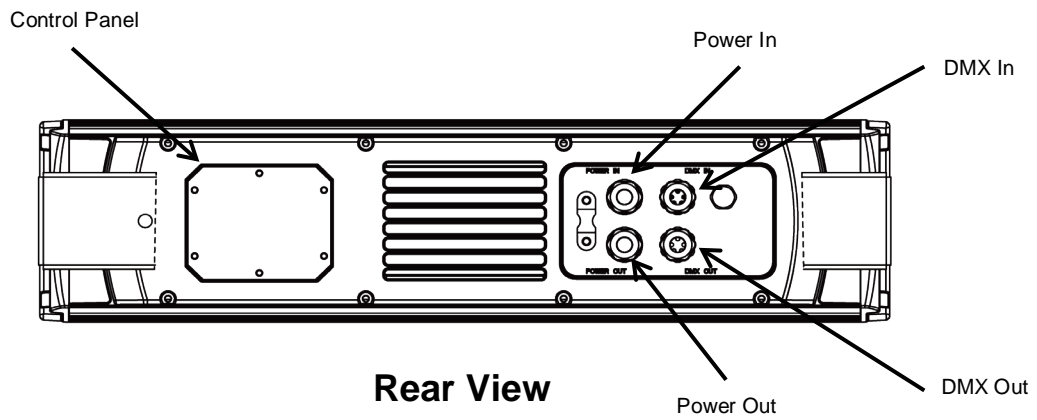
### Features

- 3, 4, 5, 6, or 10 quad-color LED wash product
- Operating modes:
  - 3-channel: RGB control
  - 3-channel: HSV control
  - 4-channel: RGB, dimmer
  - 4-channel: RGBW
  - 4-channel: 2700° K pixel control
  - 5-channel: RGBW, dimmer
  - 6-channel: RGBW, dimmer, strobe
  - 11-channel: RGBW, dimmer, strobe, macro, auto/custom, dimmer speed, auto speed, pixel selection
  - 12-channel: R1, G1, B1, R2, G2, B2, R3, G3, B3, R4, G4, B4
  - 16-channel: 16-bit RGBW, 16-bit dimmer, macro, strobe, auto/custom, auto speed, dimmer speed, pixel selection
  - 16-channel: R1, G1, B1, W1, R2, G2, B2, W2, R3, G3, B3, W3, R4, G4, B4, W4
- Silent operation
- Fantastic output with low-profile footprint
- Stunning color mixing
- Pixel control of each LED
- IP66-rated, suitable for outdoor operation

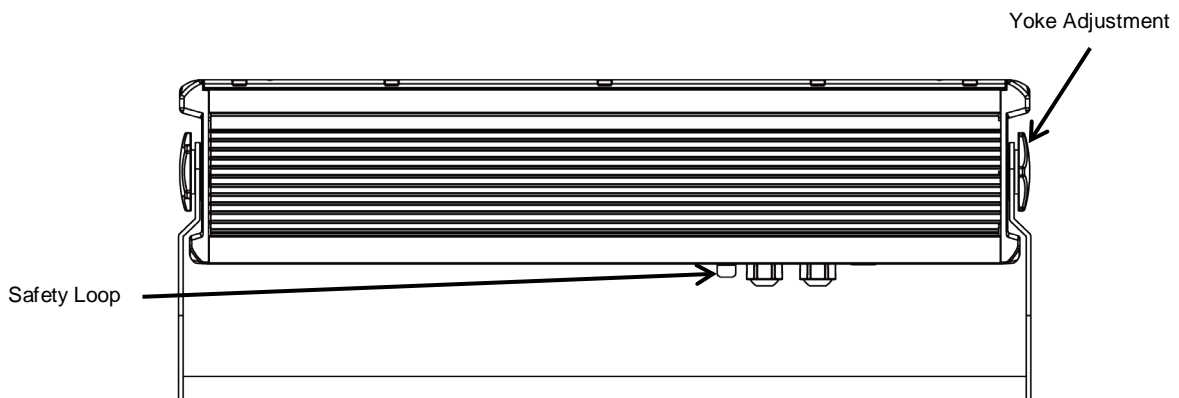
## Overview



**Front View**

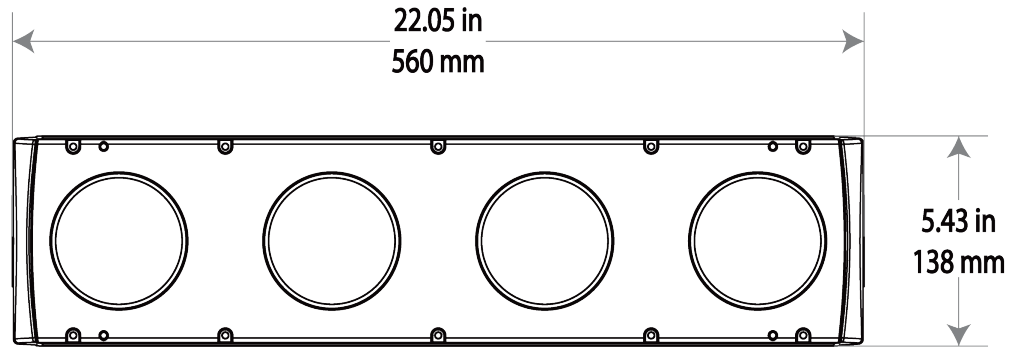
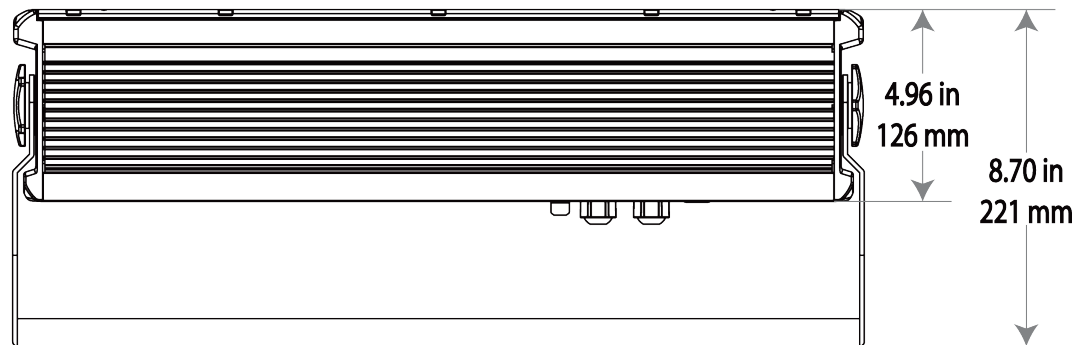


**Rear View**



**Side View**



**Dimensions****Front View****Side View**

### 3. Setup

#### AC Power

Each COLORado™ 4 IP has an auto-ranging power supply that works with an input voltage range of 100~240 VAC, 50/60 Hz. To determine the power requirements for each COLORado™ 4 IP, refer to the label affixed to the product. You can also refer to the [Technical Specifications](#) in this manual.

The listed current rating indicates the maximum current draw during normal operation. For more information, you may download Sizing Circuit Breakers from the CHAUVET® website: [www.chauvetpro.com](http://www.chauvetpro.com).



**Always connect this product to a protected circuit with an appropriate electrical ground to avoid the risk of electrocution or fire.**



**Never connect this product to a rheostat (variable resistor) or dimmer circuit, even if the rheostat or dimmer channel serves only as a 0 to 100% switch.**

#### AC Plug

The COLORado™ 4 IP comes with an IP66 power input cord terminated with a proprietary IP66 connector and an IP66 to Edison power cord adapter. If the power cord adapter that came with your product has no plug or you need to change the Edison plug, use the table below to wire the new plug.

Connection	Wire (U.S.)	Wire (Europe)	Screw Color
AC Live	Black	Brown	Yellow or Brass
AC Neutral	White	Blue	Silver
AC Ground	Green/Yellow	Green/Yellow	Green

## Power Linking

The COLORado™ 4 IP supports power linking. You can power link up to 5 products at 120 VAC, 9 products at 208 VAC, or 10 products at 230 VAC.

This product comes with a power input cord. This product does not come with a power linking cable; however, a power linking cable is available as an option.

## DMX Linking

You can link the COLORado™ 4 IP to a DMX controller using a standard DMX serial connection. If using other DMX-compatible products with the COLORado™ 4 IP, you can control each individually with a single DMX controller.

## DMX Modes

The COLORado™ 4 IP uses the standard DMX data connection for the **TOUR**, **TR16**, **ARC.1**, **AR1.D**, **ARC.2**, **AR2.D**, **AR2.S**, **HALO**, **PIX1**, **PIX2**, and **HSV** channel DMX modes.

- Refer to the [Introduction](#) for a brief description of these modes.
- Refer to [Operation](#) to learn how to configure the COLORado™ 4 IP to work in these modes.
- The [DMX Values](#) section will provide you with detailed information regarding the DMX modes.

## Master/Slave Connectivity

The Master/Slave mode allows a COLORado™ 4 IP (the “master product”) to control one or more COLORado™ 4 IPs (the “slave products”) without a DMX controller. One COLORado™ 4 IP becomes the master product when running an Auto or Custom program, or by being in STATIC mode.

You must configure each slave product’s control panel to operate in SLAVE mode. During Master/Slave operation, the slave products will operate in unison with the master product.



**DO NOT connect a DMX controller to products operating in Master/Slave mode. The DMX controller signals may interfere with the signals from the master product.**

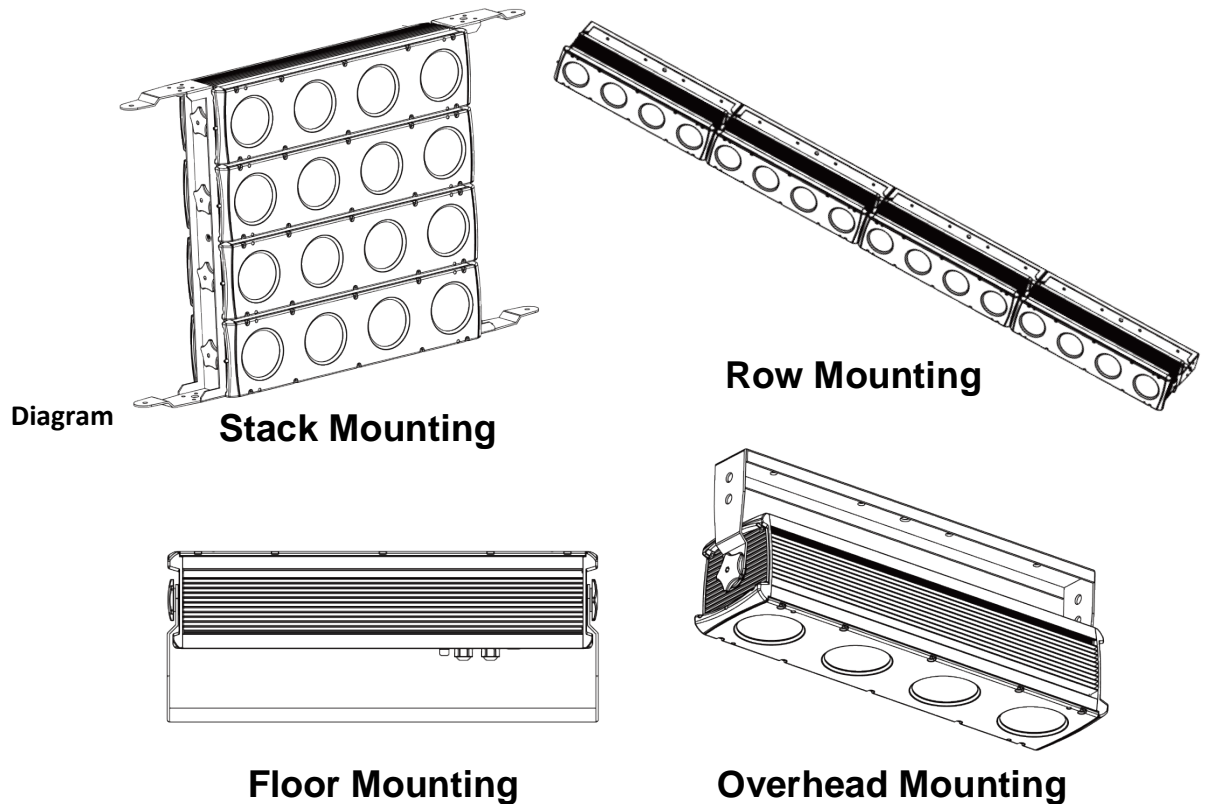


The [Operation](#) section of this manual provides detailed instructions on how to configure Master and Slave products.



If you are not familiar with or need more information about DMX standards, Master/Slave connectivity, or the DMX cables needed to link this product to a DMX controller, download the DMX Primer from the CHAUVET® website: [www.chauvetpro.com](http://www.chauvetpro.com).

- Mounting** Before mounting this product, read and follow the [Safety Notes](#) in this manual.
- Orientation** Always mount this product in a safe position and make sure there is adequate room for ventilation, configuration, and maintenance.
- Rigging** The COLORado™ 4 IP consists of a double-bracketed yoke and the body of the product CHAUVET® recommends using the following general guidelines when mounting this product.
- When selecting an installation location, consider easy access to this product for operation, programming adjustments, and routine maintenance.
  - Make sure to mount this product away from any flammable material as indicated in the [Safety Notes](#).
  - Never mount in places where rain, high humidity, extreme temperature changes, or restricted ventilation may affect the product.
  - If hanging this product, make sure that the mounting location can support the product's weight. Refer to the [Technical Specifications](#) for the weight-bearing requirements of this product.
  - When hanging this product, always secure to a fastening device using a safety cable (included).
- Procedure** The COLORado™ 4 IP comes with a multi-purpose yoke to which you can either attach mounting clamps for hanging, attach other COLORado™ 4 IP products (horizontally or vertically) or attach to the floor for use as a floor stand. You must supply your own mounting clamps. Make sure the clamps are capable of supporting the weight of this product.



## 4. Operation

### Control Panel Description

Button	Function
<MENU>	Exits from the current menu or function
<ENTER>	Enables the currently displayed menu or sets the currently selected value in to the current function
<UP>	Navigates upward through the menu list and increases the numeric value when in a function
<DOWN>	Navigates downward through the menu list and decreases the numeric value when in a function

### Control Options

You can set the COLORado™ 4 IP start address in the 001~512 DMX range. This enables control of up to 32 products in the 16-channel **TR16** or **PIX2** personality.

### Programming

Refer to the [Menu Map](#) to understand the menu options. The menu map shows the main level and a variable number of programming levels for each option.

- To go to the desired main level, press <MENU> repeatedly until the option shows on the display. Press <ENTER> to select. This will take you to the first programming level for that option.
- To select an option or value within the current programming level, press <UP> or <DOWN> until the option shows on the display. Press <ENTER> to select. In this case, if there is another programming level, you will see that first option, or you will see the selected value.
- Press <MENU> repeatedly to exit to the previous main level.

**DMX Personality** This setting allows you to choose a particular DMX personality.

1. Go to the **PERS** main level.
  2. Select the desired personality (**TOUR**, **TR16**, **ARC.1**, **AR1.D**, **ARC.2**, **AR2.D**, **AR2.S**, **PIX1**, **PIX2**, **HALO**, or **HSV**).
- See the **DMX Values** section for the highest starting address you can select for each personality.
  - Make sure that the starting addresses on the various products do not overlap due to the new personality setting.



**DMX Control** In this mode, each product will respond to a unique starting address from the DMX controller. All products with the same starting address will respond in unison.

1. Select a DMX personality as shown in [DMX Personality](#).
2. Set the running mode:
  - a. Go to the **RUN** main level.
  - b. Select the **ADDR** programming level.
3. Set the starting address:
  - a. Go to **DMX** main level.
  - b. Select the starting address **D.(001~512)**.

The highest recommended starting address for each DMX mode is as follows:



DMX Mode	DMX Address	DMX Mode	DMX Address	DMX Mode	DMX Address
<b>TOUR</b>	503	<b>ARC.2</b>	509	<b>HSV</b>	510
<b>TR16</b>	497	<b>AR2.D</b>	508	<b>PIX1</b>	501
<b>ARC.1</b>	510	<b>AR2.S</b>	507	<b>PIX2</b>	497
<b>AR1.D</b>	509	<b>HALO</b>	509		

**Loss of Signal Setting** This setting controls how the product will respond when the DMX signal is lost.

1. Go to the **SET** main level, then select **DERR**.
  - a. Select **SAVE** to make the product use the last command used when the signal is lost.
  - b. Select **BLAK** to turn off the all the LEDs when the signal is lost.

**Static Color** The Static Color mode allows for RGBW color mixing without a DMX controller.

1. Go to the **STAT** main level.
2. Select the desired color (**RED**, **GRN**, **BLUE**, or **WHIT**).
3. Select the desired color value (**000~255**).
4. Repeat for the other colors.
5. Select **STRB**.
6. Select the desired frequency (**00~20**).

**Auto Programs** Auto programs allow for dynamic RGBW color mixing without a DMX controller.

1. Go to **AUTO**.
2. Select the desired auto (**AT. 01~10**) or custom program (**PR. 01~10**).



**You cannot edit any of the auto programs (AUTO 01~10). However, you can edit the custom programs (PR.01~10). See Edit Customs below for details.**

### Edit Customs

This setting allows the programming of up to 30 scenes for each of the 10 customizable programs, including colors and effects.

1. Go to the **EDIT** main level.
2. Select the desired auto program (**PR. 01~10**).
3. Select the desired scene (**SC. 01~30**).
4. Select the desired color or effect (**RED, GREN, BLUE, WHIT, STRB, TIME, or FADE**).
5. Select the color or effect value (**000~255** for colors and timers, or **00~20** for strobe).
6. Repeat for the other colors or effects.
7. Return to the scene (**SC. 01~30**) level.
8. Repeat the settings of colors and effects for the other scenes.

### Master/Slave

The Master/Slave mode allows a group of COLORado™ 4 IPs (the slave products) to simultaneously duplicate the output of another COLORado™ 4 IP (the master product) without a DMX controller.

1. Set each of the slave products:
  - a. Go to **RUN**.
  - b. Select **SLAVE**.
2. Set the master product:
  - a. Set the running mode to **DMX** as explained in [DMX Control](#).
  - b. Select an auto or custom program as explained in Auto Programs above, or a static mix of colors.

- **The master product is the one that runs a program whether in Auto, Custom or Static Color mode.**
- **Do not connect a DMX controller to the products configured for Master/Slave operation. The DMX controller may interfere with signals from the master product.**
- **The master product should be the first product in the daisy chain.**



### Color Settings

The **COLOR** setting determines how the COLORado™ 4 IP generates the white color based on various RGB settings.

1. Go to the **SET** main level.
2. Select **COLO**.
3. Select **OFF, RGBW, or UC**.

**OFF:** When all the RGB faders are set to **255**, the output is maximum, although the resulting white color may not be balanced.



**RGBW:** When all the RGB faders are set to **255**, the resulting output is defined by the configured white color (see [White Calibration](#)).

**UC:** When all the RGB faders are set to **255**, the output matches that of less efficient products (Universal Color).

**Dimmer Curves** This setting determines how fast the output of the COLORado™ 4 IP changes when you modify the values of the Red, Green, Blue, White, and Dimmer faders. This setting provides four different options to simulate the dimming speed of an incandescent lighting product.

1. Go to the **SET** main level.
2. Select **DIMX**.
3. Select a dimmer curve (**OFF**, **DIM1**, **DIM2**, **DIM3**, or **DIM4**).



**OFF:** The output is proportional (linear) to the Dimmer and RGBW channel values.

**DIM1~4:** The output follows the Dimmer and RGBW channel values based on the corresponding dimmer speed, being **DIM1** the fastest and **DIM4** the slowest.

**Curve Settings** This setting determines the shape of the output curve of the COLORado™ 4 IP when you modify the values of the Red, Green, Blue, White, and Dimmer faders. This setting provides three different options to simulate the dimming curve of an incandescent lighting product.

1. Go to the **SET** main level.
2. Select **CURV**.
3. Select a dimmer curve (**OFF**, **CV1**, **CV2**, or **CV3**).



**OFF** This output is proportional (linear) to the Dimmer and RGBW channel values.

**CV1~3** This output follows the Dimmer and RGBW channel values based on the corresponding dimmer curve, being **CV1** the fastest and **CV3** the slowest.

**Control Panel Lock** This setting enables you to activate or disable the control panel lock, which keeps unauthorized personnel from changing the product's settings.

1. Go to the **SET** main level.
2. Select **KEY**
3. Select **ON** or **OFF**.



**When the control panel lock is active, the product will prompt you to enter the password after 30 seconds of control panel inactivity or after turning on the product.**

**Password** After being prompted to enter the password:

Press **<UP>**, **<DOWN>**, **<UP>**, **<DOWN>**, **<ENTER>**

**Settings Lock Out** This setting enables you to activate or disable the main level **SET** (settings) lock, which keeps unauthorized personnel from changing the product's settings.

1. Go to the **SET** main level.
2. Select **SLCK**.
3. Select **ON** or **OFF**.



**Program Upload** This option allows you to copy the custom programs of one COLORado™ 4 IP onto other COLORado™ 4 IPs by using the Master/Slave mode.

1. Configure and connect the products in a Master/Slave arrangement, where the master product has the custom programs you want to transfer to the slave products.
2. From the master product, go to the **SET** main level.
3. Select **UPLD**.
4. When **PASS** shows, press **<ENTER>**.
5. Enter the master access password as shown in [Control Panel Lock](#).
6. When **SEND** shows, press **<ENTER>** to start the upload.
7. Wait for the upload process to finish (the display will show **END** before continuing or turning the products off).

**The Master/Slave products will provide the status of the process by lighting up as follows:**



- **Yellow indicates that the upload process is running.**
- **Green indicates that the upload process completed successfully.**
- **Red indicates that the upload process failed due to an error. Recheck all cable connections and restart the process. If the issue persists, contact CHAUVET® Technical Support.**



**DO NOT upload the data from a COLORado™ 4 IP to a different product. The other product may become inoperative.**

### Reset

This setting allows you to reset the COLORado™ 4 IP to the default values, including the custom programs.

1. Go to the **SET** main level.
2. Select **REST**.
3. When **PASS** shows, press **<ENTER>**.
4. Enter the master access password as described in [Control Panel Lock](#).
5. Wait for the reset process to finish.

### Calibration Settings Reset

This setting allows you to reset the COLORado™ 4 IP to the default values of the color macros in [Whites Setting](#) or [Whites Calibration](#).

1. Go to the **CAL** main level.
2. When **PASS** shows, press **<ENTER>**.
3. Enter the master access password as described in [Control Panel Lock](#).
4. Go to **CALR**.
5. When **PASS** shows, press **<ENTER>**.
6. Enter the master access password as described in [Control Panel Lock](#).

- Whites Setting** This setting allows you to select and edit the temperature of the white colors used in channel 6 (Macros) when in the **TOUR** mode or channel 11 in **TR16** mode.
1. Go to the **CAL** main level.
  2. Enter the master access password as described in [Control Panel Lock](#)
  3. Go to **CAL1**.
  4. Select a white color (**WH.01~11**).
  5. Select a color (**RED, GREN, BLUE, or WHIT**).
  6. Select a color value (**000~255**).
  7. Repeat for the other colors.

- White Calibration** This setting allows you to select the white color shown by the COLORado™ 4 IP when the color setting is **RGBW** and the DMX controller's Red, Green, and Blue faders are set to "255."
1. Go to the **CAL** main level.
  2. Enter the master access password as described in [Control Panel Lock](#)
  3. Go to **CAL2**.
  4. Select a color (**RED, GREN, or BLUE**).
  5. Select a color value (**000~255**).
  6. Repeat for the other colors.



**When selecting CAL > CAL2 > RGBW, you will only be able to define the values of RED, GREN (green), and BLUE.**



**The values of RED, GREN (green), and BLUE configured from CAL > CAL2 > RGB.W will define the color temperature shown when the RGB faders are set to "255" if SET > COLO > RGBW is active.**

- Strobe Personality** This setting allows you to select the CLASSIC (01~20 Hz) strobe or SPECIAL (Random/Slow/Fast) strobe personalities.
1. Go to the **SET** main level.
  2. Select a strobe personality (**SPEC or CLAS**).

## Menu Map

Main Level	Programming Levels			Description	
STAT	RED	000~255		Combine Red, Green, Blue, and White to make a custom color	
	GREN				
	BLUE				
	WHIT				
	STRB	00~20		Selects the strobe frequency (0~20 Hz)	
AUTO	AT.	01~10	000~255	10 Automatic programs	
	PR.			10 Customizable programs	
RUN	ADDR			DMX mode	
	SLAV			Master/Slave mode	
DMX	D.	001~512		Selects the DMX starting address	
PERS	TOUR			11 Channels: R/G/B/W, dimmer, strobe, color macro, auto/custom, dimmer speed, auto speed, pixel selection	
	TR16			16 Channels: 16-bit- R/G/B/W, dimmer, , strobe, color macro, auto/custom, dimmer speed, auto speed, pixel selection	
	ARC.1			3-channel: R/G/B control	
	AR1.D			4-channel: R/G/B, dimmer	
	ARC.2			4-channel: R/G/B/W control	
	AR2.D			5-channel: R/G/B/W, dimmer	
	AR2.S			6-channel: R/G/B/W, dimmer, strobe	
	HSV			3-channel: HSV control	
	PIX1			12 Channels: R/G/B pixel control	
	PIX2			16 Channels: R/G/B/W pixel control	
HALO			4-channel: 2700K pixel control		
EDIT	PR. 01~10	SC. 01~30	RED	000~255	Combine Red, Green, Blue, and White to generate a custom color (0~100%)
			GREN		
			BLUE		
			WHIT		
		STRB	00~20	Selects the strobe frequency (0~20 Hz)	
		TIME	000~255	Defines the step duration (0~100%)	
	FADE	Defines the fade duration (0~100%)			

### Menu Map (Continued)

Main Level	Programming Levels			Description		
SET	KEY	ON		Turns the password on or off		
		OFF				
	UPLD	PASS (Enter Passcode)	SEND/ END	Uploads custom programs to other COLORado™ 4 IP		
	REST	PASS (Enter Passcode)		Defaults product to factory settings		
	COLO	OFF		RGB set to "255" = max. output		
		RGBW		RGB set to "255" = balanced white		
		UC.		Universal color balance		
	DIMX	OFF		No dimmer		
		DIM1		Slow (DIM4) to fast (DIM1) dimmer speeds		
		DIM2				
		DIM3				
		DIM4				
	CURV	OFF		No dimmer		
		CV1		Large (CV3) to small (CV1) dimmer curves		
		CV2				
CV3						
DERR	SAVE		Blacks out fixture upon loss of DMX			
	BLAK		Continues with last command upon loss of DMX control			
SLCK	OFF		SET main level access lock			
	ON					
STRB	SPEC		Selects strobe personality used in TOUR and TR16 personalities			
	CLAS					
CAL	PASS (Enter Passcode)	CAL1	WH. 01~11	RED	000~255	Modifies the color macros used in the TOUR and TR16 personalities
			GREN			
			BLUE			
			WHIT			
	CAL2	RED	Defines the color temperature used when COLO is set to RGBW.			
GREN						
BLUE						
CALR	PASS (Enter Passcode)		Defaults CAL to factory settings			

## DMX Values

TOUR	Channel	Function	Value	Percent/Setting
	1	Dimmer	000 ⇔ 255	0~100%
	2	Red	000 ⇔ 255	0~100%
	3	Green	000 ⇔ 255	0~100%
	4	Blue	000 ⇔ 255	0~100%
	5	White	000 ⇔ 255	0~100%
	6	Color Macro + White Balance	000 ⇔ 010	No Function
			011 ⇔ 030	R: 100% G: 0~100% B: 0
			031 ⇔ 050	R: 100%~0 G: 100% B: 0
			051 ⇔ 070	R: 0 G: 100% B: 0~100%
			071 ⇔ 090	R: 0 G: 100%~0 B: 100%
			091 ⇔ 110	R: 0~100% G: 0 B: 100%
			111 ⇔ 130	R: 100% G: 0 B: 100%~0
			131 ⇔ 150	R: 100% G: 0~100% B: 0~100%
			151 ⇔ 170	R: 100%~0 G: 100%~0 B: 100%
			171 ⇔ 200	R: 100% G: 100% B: 100% W: 100%
			201 ⇔ 205	White 1
			206 ⇔ 210	White 2
			211 ⇔ 215	White 3
			216 ⇔ 220	White 4
			221 ⇔ 225	White 5
			226 ⇔ 230	White 6
			231 ⇔ 235	White 7
	236 ⇔ 240	White 8		
	241 ⇔ 245	White 9		
	246 ⇔ 250	White 10		
	251 ⇔ 255	White 11		
	7*	Special Strobe	000 ⇔ 009	No Function
			010 ⇔ 099	Slow to Fast
			100 ⇔ 109	No Function
			110 ⇔ 179	Lighting Effect Slow to Fast
			180 ⇔ 255	No Function
	7*	Classic Strobe	000 ⇔ 009	No Function
			010 ⇔ 019	1 Hz
			020 ⇔ 029	2 Hz
			030 ⇔ 039	3 Hz
			040 ⇔ 049	4 Hz
			050 ⇔ 059	5 Hz
			060 ⇔ 069	6 Hz
			070 ⇔ 079	7 Hz
			080 ⇔ 089	8 Hz
			090 ⇔ 099	9 Hz
			100 ⇔ 109	10 Hz
			110 ⇔ 119	11 Hz
			120 ⇔ 129	12 Hz
			130 ⇔ 139	13 Hz
			140 ⇔ 149	14 Hz
			150 ⇔ 159	15 Hz
			160 ⇔ 169	16 Hz
	170 ⇔ 179	17 Hz		
	180 ⇔ 189	18 Hz		
	190 ⇔ 199	19 Hz		
	200 ⇔ 255	20 Hz		

\*Select strobe function in the main menu under **SET > STRB**

## DMX Values (Continued)

TOUR (Cont.)	Channel	Function	Value	Percent/Setting
8	8	Programs	000 ⇔ 040	No Function
			041 ⇔ 050	Auto 1
			051 ⇔ 060	Auto 2
			061 ⇔ 070	Auto 3
			071 ⇔ 080	Auto 4
			081 ⇔ 090	Auto 5
			091 ⇔ 100	Auto 6
			101 ⇔ 110	Auto 7
			111 ⇔ 120	Auto 8
			121 ⇔ 130	Auto 9
			131 ⇔ 140	Auto 10
			141 ⇔ 150	Custom 1
			151 ⇔ 160	Custom 2
			161 ⇔ 170	Custom 3
			171 ⇔ 180	Custom 4
			181 ⇔ 190	Custom 5
			191 ⇔ 200	Custom 6
			201 ⇔ 210	Custom 7
			211 ⇔ 220	Custom 8
			221 ⇔ 230	Custom 9
231 ⇔ 255	Custom 10			
9	9	Auto Speed	000 ⇔ 255	0~100% (Only when using Auto/Custom)
10	10	Dimmer Speed	000 ⇔ 009	Preset dimmer speed from display menu
			010 ⇔ 029	Linear dimmer
			030 ⇔ 069	Nonlinear dimming curve 1 (fastest)
			070 ⇔ 129	Nonlinear dimming curve 2
			130 ⇔ 189	Nonlinear dimming curve 3
			190 ⇔ 255	Nonlinear dimming curve 4 (slowest)
11	11	Pixel Selection	000 ⇔ 009	Pix 1,2,3,4 (static)
			010 ⇔ 019	Pix 1 (static)
			020 ⇔ 029	Pix 2 (static)
			030 ⇔ 039	Pix 3 (static)
			040 ⇔ 049	Pix 4 (static)
			050 ⇔ 059	Pix 1,2 (static)
			060 ⇔ 069	Pix 1,3 (static)
			070 ⇔ 079	Pix 1,4 (static)
			080 ⇔ 089	Pix 2,3 (static)
			090 ⇔ 099	Pix 2,4 (static)
			100 ⇔ 109	Pix 3,4 (static)
			110 ⇔ 119	Pix 1,2,3 (static)
			120 ⇔ 129	Pix 1,2,4 (static)
			130 ⇔ 139	Pix 1,3,4 (static)
			140 ⇔ 149	Pix 2,3,4 (static)
			150 ⇔ 159	Pix 1,2,3,4 (static)
			160 ⇔ 179	Chase left-to-right
			180 ⇔ 199	Chase right-to-left
			200 ⇔ 219	Chase left-right-left
			220 ⇔ 239	Random
240 ⇔ 255	Pix 1,2,3,4 (static)			

## DMX Values (Continued)

TR16	Channel	Function	Value	Percent/Setting
	1	Dimmer	000 ⇔ 255	0~100%
	2	Fine Dimmer	000 ⇔ 255	0~100%
	3	Red	000 ⇔ 255	0~100%
	4	Fine Red	000 ⇔ 255	0~100%
	5	Green	000 ⇔ 255	0~100%
	6	Fine Green	000 ⇔ 255	0~100%
	7	Blue	000 ⇔ 255	0~100%
	8	Fine Blue	000 ⇔ 255	0~100%
	9	White	000 ⇔ 255	0~100%
	10	Fine White	000 ⇔ 255	0~100%
	11	Color Macro + White Balance	000 ⇔ 010	No Function
			011 ⇔ 030	R: 100%    G: 0~100%    B: 0
			031 ⇔ 050	R: 100%~0    G: 100%    B: 0
			051 ⇔ 070	R: 0    G: 100%    B: 0~100%
			071 ⇔ 090	R: 0    G: 100%~0    B: 100%
			091 ⇔ 110	R: 0~100%    G: 0    B: 100%
			111 ⇔ 130	R: 100%    G: 0    B: 100%~0
			131 ⇔ 150	R: 100%    G: 0~100%    B: 0~100%
			151 ⇔ 170	R: 100%~0    G: 100%~0    B: 100%
			171 ⇔ 200	R: 100%    G: 100%    B: 100%    W: 100%
			201 ⇔ 205	White 1
			206 ⇔ 210	White 2
			211 ⇔ 215	White 3
			216 ⇔ 220	White 4
			221 ⇔ 225	White 5
			226 ⇔ 230	White 6
			231 ⇔ 235	White 7
	236 ⇔ 240	White 8		
	241 ⇔ 245	White 9		
	246 ⇔ 250	White 10		
	251 ⇔ 255	White 11		

### DMX Values (Continued)

TR16 (Cont.)	Channel	Function	Value	Percent/Setting
12	Special Strobe		000 ⇔ 009	No Function
			010 ⇔ 099	Slow to Fast
			100 ⇔ 109	No Function
			110 ⇔ 179	Lighting Effect Slow to Fast
			180 ⇔ 255	No Function
	Classic Strobe		000 ⇔ 009	No Function
			010 ⇔ 019	1 Hz
			020 ⇔ 029	2 Hz
			030 ⇔ 039	3 Hz
			040 ⇔ 049	4 Hz
			050 ⇔ 059	5 Hz
			060 ⇔ 069	6 Hz
			070 ⇔ 079	7 Hz
			080 ⇔ 089	8 Hz
			090 ⇔ 099	9 Hz
			100 ⇔ 109	10 Hz
			110 ⇔ 119	11 Hz
			120 ⇔ 129	12 Hz
			130 ⇔ 139	13 Hz
			140 ⇔ 149	14 Hz
	150 ⇔ 159	15 Hz		
	160 ⇔ 169	16 Hz		
	170 ⇔ 179	17 Hz		
	180 ⇔ 189	18 Hz		
	190 ⇔ 199	19 Hz		
	200 ⇔ 255	20 Hz		
13	Programs		000 ⇔ 040	No Function
			041 ⇔ 050	Auto 1
			051 ⇔ 060	Auto 2
			061 ⇔ 070	Auto 3
			071 ⇔ 080	Auto 4
			081 ⇔ 090	Auto 5
			091 ⇔ 100	Auto 6
			101 ⇔ 110	Auto 7
			111 ⇔ 120	Auto 8
			121 ⇔ 130	Auto 9
			131 ⇔ 140	Auto 10
			141 ⇔ 150	Custom 1
			151 ⇔ 160	Custom 2
			161 ⇔ 170	Custom 3
			171 ⇔ 180	Custom 4
	181 ⇔ 190	Custom 5		
	191 ⇔ 200	Custom 6		
	201 ⇔ 210	Custom 7		
	211 ⇔ 220	Custom 8		
	221 ⇔ 230	Custom 9		
	231 ⇔ 255	Custom 10		

\*Select  
strobe  
function in  
the main  
menu under  
**SET > STRB**



## DMX Values (Continued)

TR16 (Cont.)	Channel	Function	Value	Percent/Setting
	14	Auto Speed	000 ⇔ 255	0~100% (Only when using Auto/Custom)
	15	Dimmer Speed	000 ⇔ 009 010 ⇔ 029 030 ⇔ 069 070 ⇔ 129 130 ⇔ 189 190 ⇔ 255	Preset dimmer speed from display menu Linear dimmer Nonlinear dimming curve 1 (fastest) Nonlinear dimming curve 2 Nonlinear dimming curve 3 Nonlinear dimming curve 4 (slowest)
	16	Pixel Selection	000 ⇔ 009 010 ⇔ 019 020 ⇔ 029 030 ⇔ 039 040 ⇔ 049 050 ⇔ 059 060 ⇔ 069 070 ⇔ 079 080 ⇔ 089 090 ⇔ 099 100 ⇔ 109 110 ⇔ 119 120 ⇔ 129 130 ⇔ 139 140 ⇔ 149 150 ⇔ 159 160 ⇔ 179 180 ⇔ 199 200 ⇔ 219 220 ⇔ 239 240 ⇔ 255	Pix 1,2,3,4 (static) Pix 1 (static) Pix 2 (static) Pix 3 (static) Pix 4 (static) Pix 1,2 (static) Pix 1,3 (static) Pix 1,4 (static) Pix 2,3 (static) Pix 2,4 (static) Pix 3,4 (static) Pix 1,2,3 (static) Pix 1,2,4 (static) Pix 1,3,4 (static) Pix 2,3,4 (static) Pix 1,2,3,4 (static) Chase left-to-right Chase right-to-left Chase left-right-left Random Pix 1,2,3,4 (static)
<b>ARC.1</b>	Channel	Function	Value	Percent/Setting
	1	Red	000 ⇔ 255	0~100%
	2	Green	000 ⇔ 255	0~100%
	3	Blue	000 ⇔ 255	0~100%
<b>AR1.D</b>	Channel	Function	Value	Percent/Setting
	1	Dimmer	000 ⇔ 255	0~100%
	2	Red	000 ⇔ 255	0~100%
	3	Green	000 ⇔ 255	0~100%
	4	Blue	000 ⇔ 255	0~100%
<b>ARC.2</b>	Channel	Function	Value	Percent/Setting
	1	Red	000 ⇔ 255	0~100%
	2	Green	000 ⇔ 255	0~100%
	3	Blue	000 ⇔ 255	0~100%
	4	White	000 ⇔ 255	0~100%
<b>AR2.D</b>	Channel	Function	Value	Percent/Setting
	1	Dimmer	000 ⇔ 255	0~100%
	2	Red	000 ⇔ 255	0~100%
	3	Green	000 ⇔ 255	0~100%
	4	Blue	000 ⇔ 255	0~100%
	5	White	000 ⇔ 255	0~100%

## DMX Values (Continued)

AR2.S	Channel	Function	Value	Percent/Setting
	1	Dimmer	000 ⇔ 255	0~100%
	2	Red	000 ⇔ 255	0~100%
	3	Green	000 ⇔ 255	0~100%
	4	Blue	000 ⇔ 255	0~100%
	5	White	000 ⇔ 255	0~100%
	6	Classic Strobe	000 ⇔ 009	No Function
			010 ⇔ 019	1 Hz
			020 ⇔ 029	2 Hz
			030 ⇔ 039	3 Hz
			040 ⇔ 049	4 Hz
			050 ⇔ 059	5 Hz
			060 ⇔ 069	6 Hz
			070 ⇔ 079	7 Hz
			080 ⇔ 089	8 Hz
			090 ⇔ 099	9 Hz
			100 ⇔ 109	10 Hz
			110 ⇔ 119	11 Hz
			120 ⇔ 129	12 Hz
			130 ⇔ 139	13 Hz
			140 ⇔ 149	14 Hz
			150 ⇔ 159	15 Hz
			160 ⇔ 169	16 Hz
	170 ⇔ 179	17 Hz		
	180 ⇔ 189	18 Hz		
	190 ⇔ 199	19 Hz		
	200 ⇔ 255	20 Hz		
HSV	Channel	Function	Value	Percent/Setting
	1	Hue	000 ⇔ 255	0~100%
	2	Saturation	000 ⇔ 255	0~100%
	3	Value	000 ⇔ 255	0~100%
PIX1	Channel	Function	Value	Percent/Setting
	1	Pixel 1 Red	000 ⇔ 255	0~100%
	2	Pixel 1 Green	000 ⇔ 255	0~100%
	3	Pixel 1 Blue	000 ⇔ 255	0~100%
	4	Pixel 2 Red	000 ⇔ 255	0~100%
	5	Pixel 2 Green	000 ⇔ 255	0~100%
	6	Pixel 2 Blue	000 ⇔ 255	0~100%
	7	Pixel 3 Red	000 ⇔ 255	0~100%
	8	Pixel 3 Green	000 ⇔ 255	0~100%
	9	Pixel 3 Blue	000 ⇔ 255	0~100%
	10	Pixel 4 Red	000 ⇔ 255	0~100%
	11	Pixel 4 Green	000 ⇔ 255	0~100%
	12	Pixel 4 Blue	000 ⇔ 255	0~100%

## DMX Values (Continued)

PIX2	Channel	Function	Value	Percent/Setting
		1	Pixel 1 Red	000 ⇔ 255
	2	Pixel 1 Green	000 ⇔ 255	0~100%
	3	Pixel 1 Blue	000 ⇔ 255	0~100%
	4	Pixel 1 White	000 ⇔ 255	0~100%
	5	Pixel 2 Red	000 ⇔ 255	0~100%
	6	Pixel 2 Green	000 ⇔ 255	0~100%
	7	Pixel 2 Blue	000 ⇔ 255	0~100%
	8	Pixel 2 White	000 ⇔ 255	0~100%
	9	Pixel 3 Red	000 ⇔ 255	0~100%
	10	Pixel 3 Green	000 ⇔ 255	0~100%
	11	Pixel 3 Blue	000 ⇔ 255	0~100%
	12	Pixel 3 White	000 ⇔ 255	0~100%
	13	Pixel 4 Red	000 ⇔ 255	0~100%
	14	Pixel 4 Green	000 ⇔ 255	0~100%
	15	Pixel 4 Blue	000 ⇔ 255	0~100%
	16	Pixel 4 White	000 ⇔ 255	0~100%
HALO	Channel	Function	Value	Percent/Setting
	1	Pixel 1 Dimmer 2700K	000 ⇔ 255	0~100%
	2	Pixel 2 Dimmer 2700K	000 ⇔ 255	0~100%
	3	Pixel 3 Dimmer 2700K	000 ⇔ 255	0~100%
	4	Pixel 4 Dimmer 2700K	000 ⇔ 255	0~100%

## 5. Technical Information

### Product Maintenance

To maintain optimum performance and minimize wear, you should clean this product frequently. Usage and environment are contributing factors in determining the cleaning frequency.

As a rule, clean this product at least twice a month. Dust build-up reduces light output performance and can cause overheating. This can lead to reduced light source life and increased mechanical wear.

To clean your product:

- Unplug the product from power.
- Wait until the product has cooled.
- Use a vacuum (or dry compressed air) and a soft brush to remove dust collected on the external vents and accessible internal components.
- Clean all external surfaces with a mild solution of non-ammonia glass cleaner or isopropyl alcohol.
- Apply the solution directly to a soft, lint-free cotton cloth or a lens cleaning tissue.
- Wipe any dirt or grime to the outside edges of the lens surface.
- Gently polish the lens surfaces until they are free of haze and lint.



**Always dry the external surfaces thoroughly and carefully after cleaning them.**

### Returns

You must send the product prepaid, in the original box, and with the original packing and accessories. CHAUVET® will not issue call tags.

Call CHAUVET® and request a Return Merchandise Authorization (RMA) number before shipping the product. Be prepared to provide the model number, serial number, and a brief description of the cause(s) for the return.

Clearly label the package with an RMA number. CHAUVET® will refuse any product returned without an RMA number.



**DO NOT write the RMA number directly on the box. Instead, write it on a properly affixed label.**

Once you have received the RMA number, include the following information on a piece of paper inside the box:

- Your name
- Your address
- Your phone number
- The RMA number
- A brief description of the problem(s)

Be sure to pack the product properly. Any shipping damage resulting from inadequate packaging will be the customer's responsibility. FedEx packing or double-boxing are recommended.



**CHAUVET® reserves the right to use its own discretion to repair or replace returned product(s).**

## Technical Specifications

Dimensions and Weight	Length	Width	Height	Weight
	22 in (560 mm)	5.4 in (138 mm)	8.7 in (221 mm)	22.4 lbs (10.16 kg)

**Note:** Dimensions in inches rounded to the nearest decimal digit.

Electrical	Power Supply Type	Range	Voltage Selection
	Switching (internal)	100~240 V, 50/60 Hz	Auto-ranging

Parameter	120 V, 60 Hz	230 V, 50 Hz
Consumption	222 W	216 W
Operating/Inrush current	1.89 A	.94 A
Power linking	5 products	10 products
Fuse	T 5 A, 250 V	T 5 A, 250 V

Power I/O	U.S./Worldwide	Europe
Power input connector	Hardwired	Hardwired
Power output connector	IP66	IP66
Power cord plug	Edison (U.S.)	Local plug

Light Source	Type	Power	Lifespan
	LED	40 W	50,000 hours

Color	Quantity	Current
Red	4	.990 mA
Green	4	.975 mA
Blue	4	.986 mA
White	4	.989 mA

Photo Optic	Parameter	Standard 30° Optics	Optional 15° Optics
	Illuminance @ 5 m	204 lx	656 lx
	Beam angle	24.8°	17.4°
	Field angle	60.2°	32.4°

Thermal	Max. External Temperature	Cooling System
	104° F (40° C)	Convection

DMX	I/O Connectors	Connector Type	Channel Range
	5-pin XLR	Sockets	3, 4, 5, 6, 11, 12, 16

Ordering	Product	Item Code	Item Number
	COLORado™ 4 IP	01030648	781462209964

## Contact Us **World Headquarters**

CHAUVET®

### General Information

Address: 5200 NW 108th Avenue  
Sunrise, FL 33351  
Voice: (954) 929-1115  
Fax: (954) 929-5560  
Toll free: (800) 762-1084

### Technical Support

Voice: (954) 929-1115 (Press 4)  
Fax: (954) 756-8015  
Email: [tech@chauvetlighting.com](mailto:tech@chauvetlighting.com)

### World Wide Web

[www.chauvetlighting.com](http://www.chauvetlighting.com)

## **United Kingdom and Ireland**

CHAUVET® Europe Ltd.

### General Information

Address: Unit 1C  
Brookhill Road Industrial Estate  
Pinxton, Nottingham, UK  
NG16 6NT  
Voice: +44 (0)1773 511115  
Fax: +44 (0)1773 511110

### Technical Support

Email: [uktech@chauvetlighting.com](mailto:uktech@chauvetlighting.com)

### World Wide Web

[www.chauvetlighting.co.uk](http://www.chauvetlighting.co.uk)

Outside the U.S., United Kingdom, or Ireland, contact your dealer. Follow their instructions to request support or to return a product. Visit our website for contact details.

