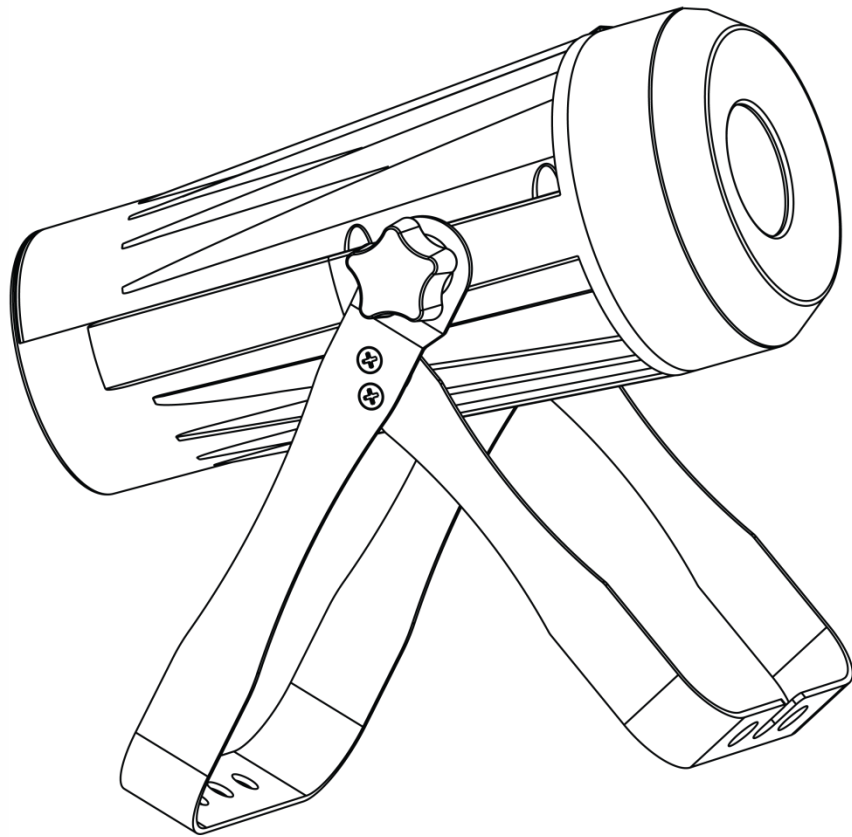




COLORADO™ DÉCO QUAD-1 TOUR

User Manual



CHAUVET®
It's Green Thinking.

Edition Notes The COLORado™ Deco Quad 1 Tour User Manual Rev. 1 covers the description, safety precautions, installation, programming, operation, and maintenance of the COLORado™ Deco Quad 1 Tour. CHAUVET® released this edition of the COLORado™ Deco Quad 1 Tour User Manual in July 2012.

Trademarks CHAUVET® is a registered trademark of CHAUVET & Sons Inc. (d/b/a CHAUVET® or Chauvet). The CHAUVET® logo in its entirety including the CHAUVET® name and the dotted triangle, and all other trademarks in this manual pertaining to services, products, or marketing statements (example: It's Green Thinking™) are owned or licensed by CHAUVET®. Any other product names, logos, brands, company names, and other trademarks featured or referred to within this document are the property of their respective trademark holders.

Copyright Notice CHAUVET® owns the content of this User Manual in its entirety, including but not limited to pictures, logos, trademarks, and resources.

© **Copyright 2012 CHAUVET®. All rights reserved.**

Electronically published by CHAUVET® in the United States of America.

Manual Use CHAUVET® authorizes its customers to download and print this manual for professional information purposes only. CHAUVET® expressly prohibits the usage, copy, storage, distribution, modification, or printing of this manual or its content for any other purpose without written consent from CHAUVET®.

Document Printing For better results, print this document in color, on letter size paper (8.5 x 11 in), double-sided. If using A4 paper (210 x 297 mm), configure your printer to scale the content accordingly.

Intended Audience Any person in charge of installing, operating, and/or maintaining this product should completely read through the guide that shipped with the product, as well as this manual, before installing, operating, or maintaining this product.

Disclaimer

CHAUVET® believes that the information contained in this manual is accurate in all respects. However, CHAUVET® assumes no responsibility for any errors or omissions in this document. CHAUVET® reserves the right to revise and make changes to the content of this document without obligation that CHAUVET® notify any person or company of such revision or changes. This does not in any way constitute a commitment by CHAUVET® to make such changes. CHAUVET® may issue a revision of this manual or a new edition to incorporate such changes.

Document Revision The COLORado™ Deco Quad 1 Tour User Manual Rev. 1 supersedes all previous versions of this manual. Discard any older versions of this manual you may have, whether in printed or electronic format, and replace with this version.

Author	Date	Editor	Date
D. Coupe	8/31/12	S. Diaz	9/4/12

Table of Contents

- 1. Before You Begin 1**
 - What Is Included 1
 - Claims 1
 - Manual Conventions 1
 - Symbols 1
 - Product at a Glance 2
 - Safety Notes 2
 - Personal Safety 2
 - Mounting and Rigging 2
 - Power and Wiring 2
 - Operation 2
 - Expected LED Lifespan 2
- 2. Introduction 3**
 - Product Description 3
 - Features 3
 - Product Overview 4
 - Product Dimensions 5
- 3. Setup 6**
 - AC Power 6
 - AC Plug 6
 - DMX Linking 6
 - DMX Modes 6
 - Master/Slave Connectivity 6
 - Mounting 7
 - Orientation 7
 - Rigging 7
- 4. Operation 8**
 - Control Panel Description 8
 - Control Options 8
 - Programming 8
 - DMX Personality 8
 - DMX Control 8
 - Loss of Signal Setting 8
 - Static Color 8
 - Auto Programs 9
 - Master/Slave 9
 - Color Settings 9
 - Dimmer Curves 10
 - Control Panel Lock 10
 - Password 10
 - Reset 10
 - Whites Setting 10
 - White Calibration 10
 - TOUR Notes 11
 - Master Dimmer 11
 - Red, Green, Blue, and White Color Selection 11
 - Color Macros 11
 - Strobe 11
 - Auto/Custom 11
 - Menu Map 12
 - DMX Values 13
- 5. Technical Information 15**

Table of Contents



Product Maintenance	15
Returns	15
Technical Specifications	16
Contact Us	17

1. Before You Begin

- What Is Included**
- One COLORado™ Deco Quad 1 Tour
 - One Safety Cable
 - One Warranty Card
 - One Quick Reference Guide

Claims Carefully unpack the product immediately and check the box to make sure all the parts are in the package and are in good condition.




If the box or the contents (the product and included accessories) appear damaged from shipping or show signs of mishandling, notify the carrier immediately, not CHAUVET®. Failure to report damage to the carrier immediately may invalidate your claim. In addition, keep the box and contents for inspection.

For other issues, such as missing components or parts, damage not related to shipping, or concealed damage, file a claim with CHAUVET® within 7 days of delivery.

Manual Conventions

Convention	Meaning
1~512	A range of values in the text
50/60	A set of mutually exclusive values in the text
<SET>	A button on the product’s control panel
Settings	A product function or a menu option
MENU>Settings	A sequence of menu options
1~10	A range of menu values from which to choose in a menu
Yes/No	A set of two mutually exclusive menu options in a menu
ON	A unique value to be entered or selected in a menu

Symbols

Symbols	Meaning
	Critical installation, configuration, or operation information. Failure to comply with this information may cause the product not to work, damage third-party equipment, or cause harm to the operator.
	Important installation or configuration information. Failure to comply with this information may keep the product from working.
	Useful information.



The term “DMX” used throughout this manual refers to the USITT DMX512-A digital data transmission protocol.

Product at a Glance	Use on Dimmer	❌	Auto Programs	✅
	Outdoor Use	❌	Auto-Ranging Power Supply	✅
	Sound Activated	❌	Replaceable Fuse	❌
	DMX	✅	User Serviceable	❌
	Master/Slave	✅	Duty Cycle	❌

Safety Notes



Personal Safety

Mounting and Rigging

Power and Wiring

Operation

Read all the following Safety Notes before working with this product. These notes include important information about the installation, usage, and maintenance of this product.

This product contains no user-serviceable parts. Any reference to servicing in this User Manual will only apply to properly trained CHAUVET® certified technicians. Do not open the housing or attempt any repairs.

All applicable local codes and regulations apply to proper installation of this product.

- Avoid direct eye exposure to the light source while the product is on.
- Always disconnect this product from its power source before servicing.
- Always connect this product to a grounded circuit to avoid the risk of electrocution.
- Do not touch this product's housing during operation because it may be very hot.
- Do not operate this product outdoors or in any location where dust, excessive heat, water, or humidity may affect it.
- Make sure there are no flammable materials close to this product while it is operating.
- When hanging this product, always secure to a fastening device using a safety cable (included).
- Always make sure you are connecting this product to the proper voltage in accordance with the specifications in this manual or on the product's specification label.
- Never connect this product to a dimmer pack or rheostat.
- Never disconnect this product by pulling or tugging on the power cable.
- Do not operate this product if you see damage on the housing, lenses, or cables. Have the damaged parts replaced by an authorized technician at once.
- Do not cover the ventilation slots when operating to avoid internal overheating.
- The maximum ambient temperature is 104° F (40° C). Do not operate this product at a higher temperature.
- In case of a serious operating problem, stop using this product immediately!

In the unlikely event that your CHAUVET® product may require service, contact CHAUVET® Technical Support.



Expected LED Lifespan

LEDs gradually decline in brightness over time, mostly because of heat. Packaged in clusters, LEDs exhibit higher operating temperatures than in ideal, single-LED conditions. For this reason, using clustered LEDs at their fullest intensity significantly reduces the LEDs' lifespan. Under normal conditions, this lifespan can be 40,000 to 50,000 hours. If extending this lifespan is vital, lower the operating temperature by improving the ventilation around the product and reducing the ambient temperature to an optimal operating range. In addition, limiting the overall projection intensity may also help to extend the LEDs' lifespan.

2. Introduction

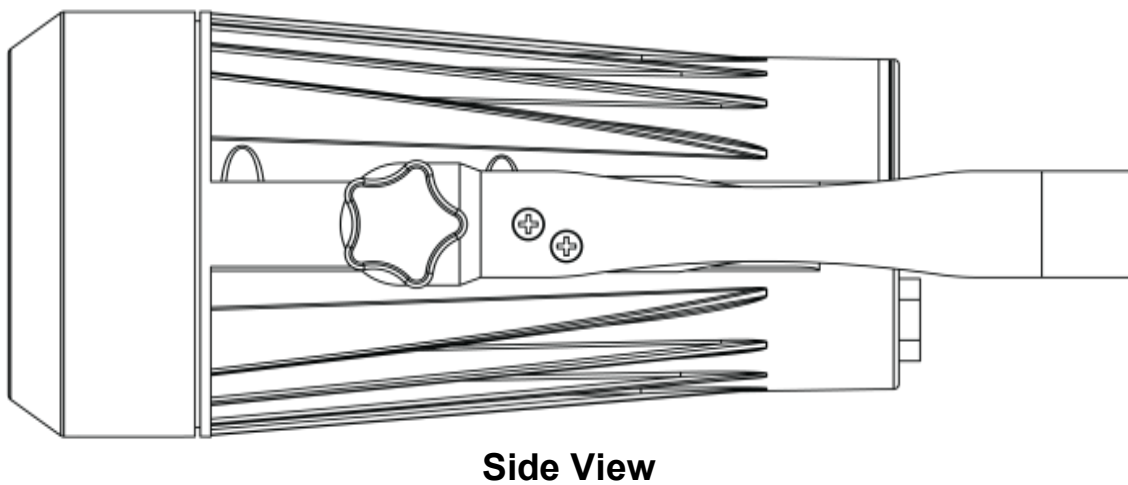
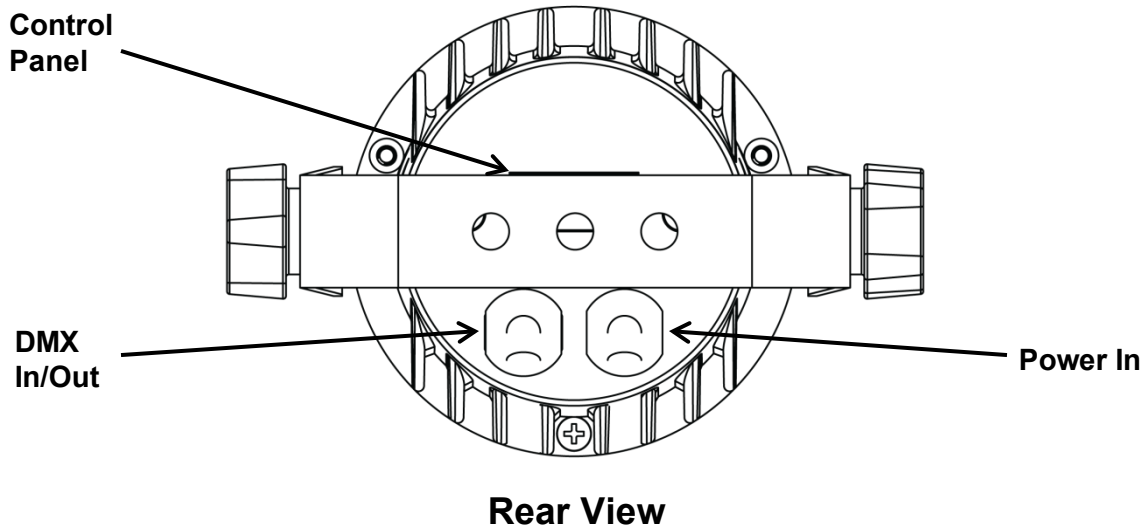
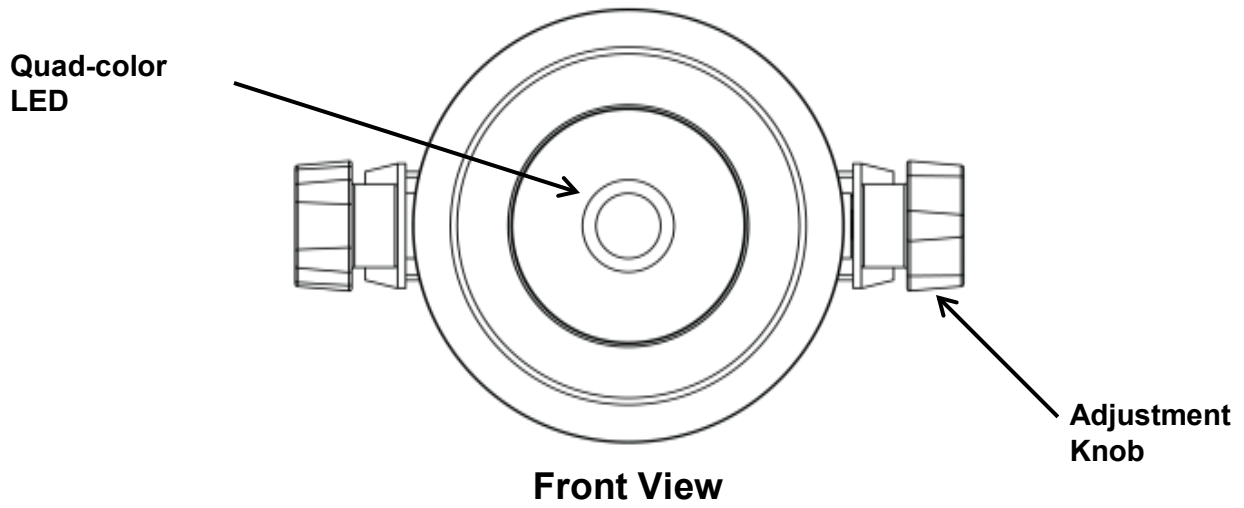
Product Description

The COLORado™ Deco Quad 1 Tour is a high-power quad color RGBW LED wash product. This product consists of a single module that houses the internal power supply, the main control, the control panel, the LED drivers, the LED boards, as well as the power and signal connectors. The COLORado™ Deco Quad 1 Tour includes one double-bracketed yoke that can be both a floor mount and hanging support bracket.

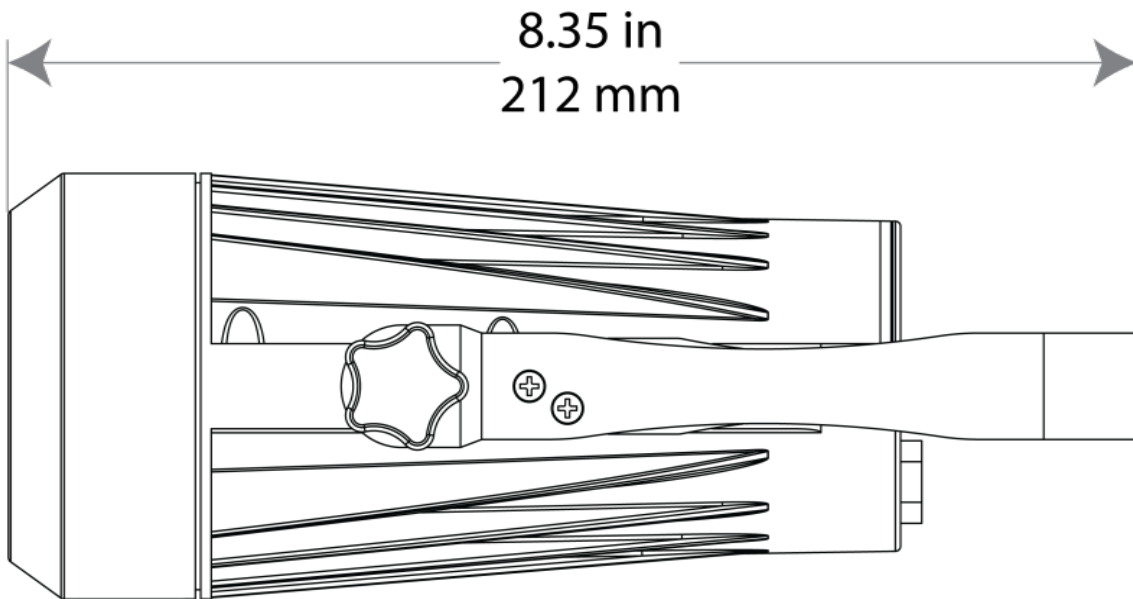
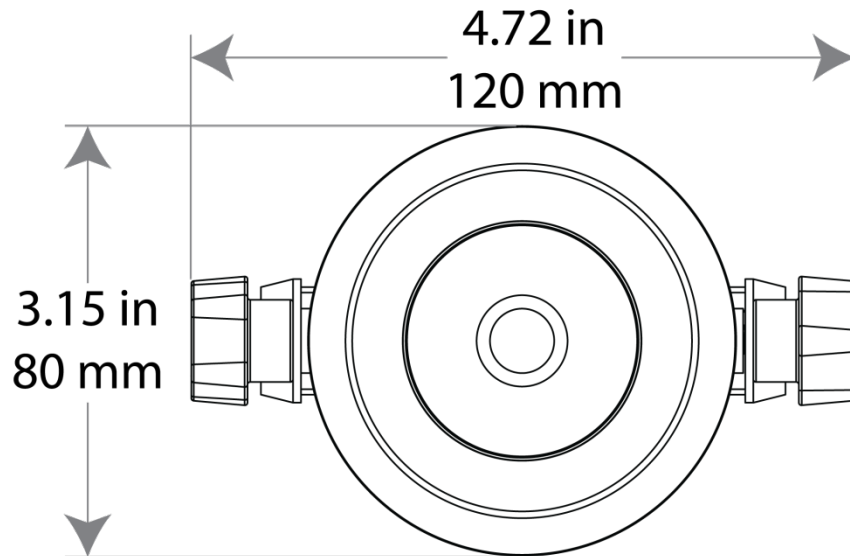
Features

- Smooth color mixing and fading
- Five distinct dimming curves
- Three button LED digital display
- DMX channels: 3, 4, 5, 6, or 9-channel
- Operating modes
 - 3-channel: RGB control
 - 3-channel: HSV control
 - 4-channel: Dimmer, RGB control
 - 4-channel: RGBW control
 - 5-channel: Dimmer, RGBW control
 - 6-channel: Dimmer, RGBW control, Strobe
 - 9-channel: Dimmer, RGBW, Macro, Strobe, Auto Program, Auto Program Speed Adjustment
- Colors LED: RGBW
- Dimmer: Electronic
- RGBW color mixing with or without DMX control
- Built-in automated programs via master/slave or DMX
- Double-bracket yoke doubles as floor stand
- Flicker-free operation

Product Overview



Product Dimensions



3. Setup

AC Power

Each COLORado™ Deco Quad 1 Tour has an auto-ranging power supply that works with an input voltage range of 100~240 VAC, 50/60 Hz. To determine the power requirements for each COLORado™ Deco Quad 1 Tour, refer to the label affixed to the product. You can also refer to the [Technical Specifications](#) chart in this manual.

The listed current rating indicates the maximum current draw during normal operation. For more information, you may download Sizing Circuit Breakers from the CHAUVET® website: www.chauvetpro.com.



Always connect this product to a protected circuit with an appropriate electrical ground to avoid the risk of electrocution or fire.



Never connect this product to a rheostat (variable resistor) or dimmer circuit, even if the rheostat or dimmer channel serves only as a 0 to 100% switch.

AC Plug

The COLORado™ Deco Quad 1 Tour comes with a power input cord terminated with a proprietary connector on one end and an Edison plug on the other end (U.S. market). If the power input cord that came with your product has no plug, or if you need to change the Edison plug, use the table below to wire the new plug.

Connection	Wire (U.S.)	Wire (Europe)	Screw Color
AC Live	Black	Brown	Yellow or Brass
AC Neutral	White	Blue	Silver
AC Ground	Green/Yellow	Green/Yellow	Green

DMX Linking

You can link the COLORado™ Deco Quad 1 Tour to a DMX controller using a standard DMX serial connection. If using other DMX compatible products with the COLORado™ Deco Quad 1 Tour, you can control each individually with a single DMX controller.

DMX Modes

The COLORado™ Deco Quad 1 Tour uses the standard DMX data connection for **tor**, **A1**, **A1.d**, **A2**, **A2.d**, **A2.S**, and **hSU** DMX modes.

- Refer to the [Introduction](#) chapter for a brief description of these modes.
- Refer to the [Operation](#) chapter to learn how to configure the COLORado™ Deco Quad 1 Tour to work in these modes.
- The [DMX Values](#) section will provide you with detailed information regarding the DMX modes.

Master/Slave Connectivity

The Master/Slave mode allows a COLORado™ Deco Quad 1 Tour (the “master product”) to control one or more COLORado™ Deco Quad 1 Tours (the “slave products”) without a DMX controller. One COLORado™ Deco Quad 1 Tour becomes the master product when running an Auto or Custom program, or by being in **STA** mode.

You must configure each slave product’s control panel to operate in **SLA** mode. During Master/Slave operation, the slave products will operate in unison with the master product.



DO NOT connect a DMX controller to products operating in Master/Slave mode. The DMX controller signals may interfere with the signals from the master product.



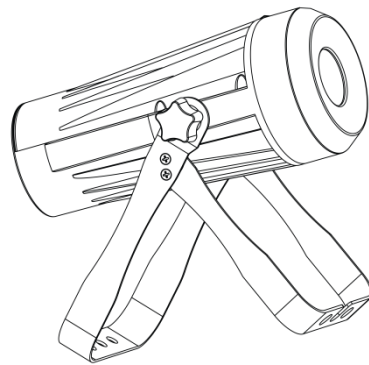
The [Operation](#) chapter of this manual provides detailed instructions on how to configure the Master and Slave products.



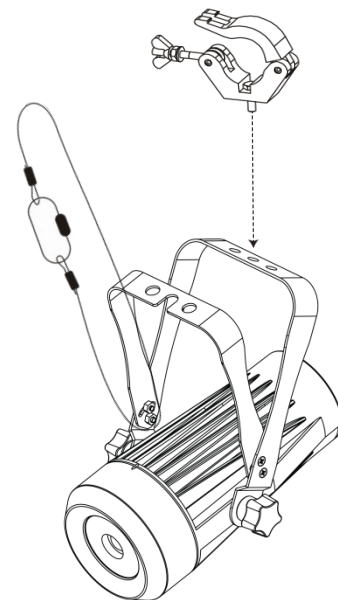
If you are not familiar with or need more information about DMX standards, Master/Slave connectivity, or the DMX cables needed to link this product to a DMX controller, download the **DMX Primer** from the CHAUVET® website www.chauvetpro.com.

- Mounting** Before mounting this product, read and follow the [Safety Notes](#) in this manual.
- Orientation** Always mount this product in a safe position and make sure there is adequate room for ventilation, configuration, and maintenance.
- Rigging** The COLORado™ Deco Quad 1 Tour consists of a double-bracketed yoke and the body of the product CHAUVET® recommends using the following general guidelines when mounting this product.
- When selecting an installation location, consider easy access to this product for operation, programming adjustments, and routine maintenance.
 - Make sure to mount this product away from any flammable material as indicated in the [Safety Notes](#).
 - Never mount in places where rain, high humidity, extreme temperature changes, or restricted ventilation may affect the product.
 - If hanging this product, make sure that the mounting location can support the product's weight. Refer to the [Technical Specifications](#) chart for the weight-bearing requirements of this product.
 - When hanging this product, always secure to a fastening device using a safety cable (included).
- Procedure** The COLORado™ Deco Quad 1 Tour comes with a double-bracketed yoke to which you can either attach mounting clamps for hanging or simply use as a floor stand. You must supply your own mounting clamps. Make sure the clamps are capable of supporting the weight of this product. You will have to use at least one mounting point per product.

Product Mounting Diagram



Floor Mounting



Overhead Mounting

4. Operation

Control Panel Description

Button	Function
<MENU>	Enables the currently displayed menu, sets the currently selected value into the selected function or exits from the current menu or function
<UP>	Navigates upward through the menu list and increases the numeric value when in a function
<DOWN>	Navigates downward through the menu list and decreases the numeric value when in a function

Control Options

You can set the COLORado™ Deco Quad 1 Tour start address in the 001~512 DMX range. This enables control of up to 51 products in the 9-channel **TOUR** personality.

Programming

Refer to the [Menu Map](#) to understand the menu options. The menu map shows the main level and a variable number of programming levels for each option. Select **oUt** or **<MENU>** to exit back to the main menu.

DMX Personality

This setting allows you to choose a particular DMX personality.

1. Go to the **PEr** main level.
 2. Select the desired personality (**tor**, **A1**, **A1.d**, **A2**, **A2.d**, **A2.S**, or **hSU**).
- See the [DMX Values](#) section for the highest starting address you can select for each personality.
 - Make sure that the starting addresses on the various products do not overlap due to the new personality setting.



DMX Control

In this mode, each product will respond to a unique starting address from the DMX controller. All products with the same starting address will respond in unison.

1. Select a DMX personality as shown in [DMX Personality](#).
2. Set the running mode:
 - a. Go to the **rUN** main level.
 - b. Select the **512** programming level.
3. Set the starting address:
 - a. Go to **Ad** main level.
 - b. Select the starting address (**001~512**).

Loss of Signal Setting

This setting controls how the product will respond when the DMX signal is lost.

1. Go to the **SEt** main level, then select **drr**.
 - a. Select **SAU** to make the product use the last command used when the signal is lost.
 - b. Select **bLA** to turn off the all the LEDs when the signal is lost.

Static Color

The Static Color mode allows for permanent RGBW color mixing without a DMX controller.

1. Go to the **StA** main level.
2. Select the desired color (**rED**, **grN**, **BLU**, or **ytE**).
3. Select the desired color value (**000~255**).
4. Repeat for the other colors.
5. Select **Str**.
6. Select the desired frequency (**00~20**).

Auto Programs Auto programs allow for dynamic RGBW color mixing without a DMX controller.

1. Go to **AUt**.
2. Select the desired auto (**A. 01~10**).



You cannot edit any of the auto programs (AUTO 01~10).

Master/Slave

The Master/Slave mode allows a group of COLORado™ Deco Quad 1 Tours (the slave products) to simultaneously duplicate the output of another COLORado™ Deco Quad 1 Tour (the master product) without a DMX controller.

1. Set each of the slave products:
 - a. Go to **rUN**.
 - b. Select **SLA**.
2. Set the master product:
 - a. Set the running mode to **512** as explained in [DMX Control](#).
 - b. Select an auto program as explained in Auto Programs above, or a static mix of colors.

- **The master product is the one that runs a program whether in Auto or Static Color mode.**
- **Do not connect a DMX controller to the products configured for Master/Slave operation. The DMX controller may interfere with signals from the master product.**
- **The master product should be the first product in the daisy chain.**



Color Settings

The **CoL** setting determines how the COLORado™ Deco Quad 1 Tour generates the white color based on various RGB settings.

1. Go to the **SEt** main level.
2. Select **COL**.
3. Select **oFF**, **rgb**, or **UC**.

oFF: When all the RGB faders are set to **255**, the output is maximum, although the resulting white color may not be balanced.

rgb: When all the RGB faders are set to **255**, the resulting output is defined by the configured White color (see [White Calibration](#)).

UC: When all the RGB faders are set to **255**, the output matches that of less efficient products (Universal Color).



Dimmer Curves This setting determines how fast the output of the COLORado™ Deco Quad 1 Tour changes when you modify the values of the Red, Green, Blue, White, and Dimmer faders. This setting provides four different options to simulate the dimming curve of an incandescent lighting product.

1. Go to the **SEt** main level.
2. Select **diN**.
3. Select a dimmer curve (**oFF**, **1**, **2**, **3**, or **4**).



oFF: The output is proportional (linear) to the Dimmer and RGBW channel values.

1~4: The output follows the Dimmer and RGBW channel values based on the corresponding dimmer curve, being **1** the fastest and **4** the slowest.

Control Panel Lock This setting enables you to activate or disable the control panel lock.

1. Go to the **LoC** main level.
2. Select **oN** or **oFF**.



When the control panel lock is active, the product will prompt you to enter the password after 30 seconds of control panel inactivity.

Password After being prompted to enter the password:

Press **<UP>**, **<DOWN>**, **<UP>**, **<DOWN>**, **<MENU>**.

Reset This setting allows you to reset the COLORado™ Deco Quad 1 Tour to the default values, including the custom programs.

1. Go to the **SEt** main level.
2. Select **rSt**.
3. Enter the master access password as described in [Password](#).
4. Wait for the reset process to finish.

Whites Setting This setting allows you to select and edit the temperature of the white colors used in channel 6 (Macros) when in the **tor** mode.

1. Go to the **CAL** main level.
2. Enter the master access password as described in [Password](#).
3. Go to **ytE**.
4. Select a white color (**y.01~11**).
5. Select a color (**rEd**, **grN**, **bLU**, or **yte**).
6. Select a color value (**000~255**).
7. Repeat for the other colors.

White Calibration This setting allows you to select the white color shown by the COLORado™ Deco Quad 1 Tour when the color setting is **rgb** and the DMX controller's Red, Green, and Blue faders are set to "255."

1. Go to the **CAL** main level.
2. Enter the master access password as described in [Password](#).
3. Go to **rgb**.
4. Select a color (**rEd**, **grN**, or **bLU**).
5. Select a color value (**000~255**).
6. Repeat for the other colors.



When selecting CAL > rgb, you will only be able to define the values of RED, GREEN, and BLUE.



The values of RED, GREEN, and BLUE configured from CAL > rgb will define the color temperature shown when the RGB faders are set to "255" if SEt > CoL > rgb is active.

TOUR Notes These notes clarify the way the **tor** DMX personality works.

- Master Dimmer**
- Channel 1 controls the intensity of the currently projected color.
 - When the slider is at the highest position (**100%**), the intensity of the output is at maximum.

- Red, Green, Blue, and White Color Selection**
- Channels 2 through 5 control the intensity ratio of each of the Red, Green, Blue, and White LEDs.
 - When these channels are at the highest position (**100%**), the intensity of each color is at maximum if **SEt > CoL** is **OFF**.
 - You can combine channels 2 through 5 to create over one trillion colors.

- Color Macros**
- Channel 6 selects the required Color Macro.
 - Channel 6 has priority over channels 2 through 6.
 - Channel 1 controls the intensity of the Color Macro.

- Strobe**
- Channel 7 controls the strobe frequency (not the intensity) of channels 2 through 6.
 - Channel 7 can strobe channels 2 through 5 when not running macros, allowing the individual faders (R, G, B, and W), as well as channel 1 (D), to control the output intensity.
 - Channel 7 can strobe channel 6 when running macros, allowing channel 6 to select the macro and channel 1 to control the output intensity.

- Auto/Custom**
- Channel 8 selects the preset auto programs **A.01~10** Channel 8 has priority over channels 2 through 7.
 - Channel 9 controls the speed at which each auto program plays.

Menu Map

Main Level	Programming Levels					Description		
StA	rEd.	000~255				Combine Red, Green, Blue, and White to make a custom color		
	grN							
	bLU							
	ytE.							
Str	000~020				Selects the strobe frequency (0~20 Hz)			
	oUt					Exits to main level		
AUt	A.	01~10				10 automatic programs		
rUN	512					DMX mode		
	SLA					Master/Slave mode		
Add	000~512					Selects the DMX starting address		
PEr	tor					9 Channels: R/G/B/W, dimmer, strobe, color macro, auto, auto speed		
	A1					3-channel: R/G/B control		
	A1.d					4-channel: R/G/B, dimmer		
	A2					4-channel: R/G/B/W control		
	A2.d					5-channel: R/G/B/W, dimmer		
	A2.S					6-channel: R/G/B/W, dimmer, strobe		
hSU					3-channel: HSV control			
SEt	UPL	 (Enter Passcode)				Reserved for future use		
	rSt.	 (Enter Passcode)				Defaults product to factory settings		
	CoL	oFF				RGB set to "255" = max. output		
		rgb				RGB set to "255" = balanced white		
		UC.				Universal color balance		
	diN.	oFF				No dimmer		
		1				Dimmer curve		
		2						
		3						
	4							
drr	SAU				All LEDs turn off when DMX signal is lost			
	bLA				All LEDs stay on the last command used when the DMX signal is lost			
oUt						Exits to main level		
LoC	oN					Turns the password on or off		
	oFF							
CAL	 (Enter Pass code)	ytE	y.	01~11	rEd. grN bLU ytE.	000~255	Modifies the color macros used in the tor personality	
		oUt						Exits to previous level
		rgb	rEd. grN bLU			000~255	Defines the color temperature used when CoL is set to rgb.	
			oUt					Exits to previous level

DMX Values

for
(TOUR)

Channel	Function	Value	Percent/Setting
1	Dimmer	000 ⇔ 255	0~100%
2	Red	000 ⇔ 255	0~100%
3	Green	000 ⇔ 255	0~100%
4	Blue	000 ⇔ 255	0~100%
5	White	000 ⇔ 255	0~100%
6	Color Macro + White Balance	000 ⇔ 010	No Function
		011 ⇔ 030	R: 100% G: 0~100% B: 0
		031 ⇔ 050	R: 100%~0 G: 100% B: 0
		051 ⇔ 070	R: 0 G: 100% B: 0~100%
		071 ⇔ 090	R: 0 G: 100%~0 B: 100%
		091 ⇔ 110	R: 0~100% G: 0 B: 100%
		111 ⇔ 130	R: 100% G: 0 B: 100%~0
		131 ⇔ 150	R: 100% G: 0~100% B: 0~100%
		151 ⇔ 170	R: 100%~0 G: 100%~0 B: 100%
		171 ⇔ 200	R: 100% G: 100% B: 100% W: 100%
		201 ⇔ 205	White 1
		206 ⇔ 210	White 2
		211 ⇔ 215	White 3
		216 ⇔ 220	White 4
		221 ⇔ 225	White 5
		226 ⇔ 230	White 6
		231 ⇔ 235	White 7
236 ⇔ 240	White 8		
241 ⇔ 245	White 9		
246 ⇔ 250	White 10		
251 ⇔ 255	White 11		
7	Strobe	000 ⇔ 009	No Function
		010 ⇔ 255	0~20 Hz
8	Programs	000 ⇔ 040	No Function
		041 ⇔ 050	Auto 1
		051 ⇔ 060	Auto 2
		061 ⇔ 070	Auto 3
		071 ⇔ 080	Auto 4
		081 ⇔ 090	Auto 5
		091 ⇔ 100	Auto 6
		101 ⇔ 110	Auto 7
		111 ⇔ 120	Auto 8
		121 ⇔ 130	Auto 9
131 ⇔ 255	Auto 10		
9	Auto Speed	000 ⇔ 255	0~100% (Only when using Auto)

A1 (ARC.1)	Channel	Function	Value	Percent/Setting
	1	Red	000 ⇔ 255	0~100%
	2	Green	000 ⇔ 255	0~100%
	3	Blue	000 ⇔ 255	0~100%
A1.d (AR1.d)	Channel	Function	Value	Percent/Setting
	1	Dimmer	000 ⇔ 255	0~100%
	2	Red	000 ⇔ 255	0~100%
	3	Green	000 ⇔ 255	0~100%
	4	Blue	000 ⇔ 255	0~100%
A2 (ARC.2)	Channel	Function	Value	Percent/Setting
	1	Red	000 ⇔ 255	0~100%
	2	Green	000 ⇔ 255	0~100%
	3	Blue	000 ⇔ 255	0~100%
	4	White	000 ⇔ 255	0~100%
A2.D (AR2.d)	Channel	Function	Value	Percent/Setting
	1	Dimmer	000 ⇔ 255	0~100%
	2	Red	000 ⇔ 255	0~100%
	3	Green	000 ⇔ 255	0~100%
	4	Blue	000 ⇔ 255	0~100%
	5	White	000 ⇔ 255	0~100%
A2.S (AR2.s)	Channel	Function	Value	Percent/Setting
	1	Dimmer	000 ⇔ 255	0~100%
	2	Red	000 ⇔ 255	0~100%
	3	Green	000 ⇔ 255	0~100%
	4	Blue	000 ⇔ 255	0~100%
	5	White	000 ⇔ 255	0~100%
	6	Strobe	000 ⇔ 009 010 ⇔ 255	No Function 0~20 Hz
hSU (HSV)	Channel	Function	Value	Percent/Setting
	1	Hue	000 ⇔ 255	0~100%
	2	Saturation	000 ⇔ 255	0~100%
	3	Value	000 ⇔ 255	0~100%

5. Technical Information

Product Maintenance

To maintain optimum performance and minimize wear, you should clean this product frequently. Usage and environment are contributing factors in determining the cleaning frequency.

As a rule, clean this product at least twice a month. Dust build-up reduces light output performance and can cause overheating. This can lead to reduced light source life and increased mechanical wear.

To clean your product:

- Unplug the product from power.
- Wait until the product has cooled.
- Use a vacuum (or dry compressed air) and a soft brush to remove dust collected on the external vents and accessible internal components.
- Clean all external surfaces with a mild solution of non-ammonia glass cleaner or isopropyl alcohol.
- Apply the solution directly to a soft, lint-free cotton cloth or a lens cleaning tissue.
- Wipe any dirt or grime to the outside edges of the lens surface.
- Gently polish the lens surfaces until they are free of haze and lint.



Always dry the external surfaces thoroughly and carefully after cleaning them.

Returns

You must send the product prepaid, in the original box, and with the original packing and accessories. CHAUVET® will not issue call tags.

Call CHAUVET® and request a Return Merchandise Authorization (RMA) number before shipping the product. Be prepared to provide the model number, serial number, and a brief description of the cause(s) for the return.

Clearly label the package with an RMA number. CHAUVET® will refuse any product returned without an RMA number.



DO NOT write the RMA number directly on the box. Instead, write it on a properly affixed label.

Once you have received the RMA number, include the following information on a piece of paper inside the box:

- Your name
- Your address
- Your phone number
- The RMA number
- A brief description of the problem(s)

Be sure to pack the product properly. Any shipping damage resulting from inadequate packaging will be the customer's responsibility. FedEx packing or double-boxing are recommended.



CHAUVET® reserves the right to use its own discretion to repair or replace returned product(s).

Technical Specifications

Dimensions and Weight	Length	Width	Height	Weight
	4.72 in (120 mm)	3.15 in (80 mm)	8.35 in (212 mm)	2.2 lbs (1 kg)

Note: Dimensions in inches rounded to the nearest decimal digit.

Electrical	Power Supply Type	Range	Voltage Selection
	Switching (internal)	100~240 V, 50/60 Hz	Auto-ranging

Parameter	120 V, 60 Hz	230 V, 50 Hz
Consumption	15 W	50 W
Operating	.122 A	1 A / 1 A

Power I/O	US/Worldwide	Europe
Power input connector	Hard Wire	Hard Wire
Power output connector	Proprietary	Proprietary
Power cord plug	Edison (US)	Local plug

Light Source	Type	Power	Lifespan
	LED	10 W Quad Color	50,000 hours

Color	Quantity	Current
Red	1	582 mA
Green	1	751 mA
Blue	1	760 mA
White	1	762 mA

Photo Optic	Parameter	Standard 25° Optics
	Illuminance @ 5 m	225 lx
	Beam angle	12.5°
	Field angle	24°

Thermal	Max. External Temperature	Cooling System
	104° F (40° C)	Convection

DMX	I/O Connectors	Connector Type	Channel Range
	3-pin XLR	Sockets	3, 4, 5, 6, 9

Ordering	Product	Item Code	UPC Number
	COLORado™ Deco Quad 1 Tour	01030570	781462209186

Contact Us World Headquarters
CHAUVET®

General Information

Address: 5200 NW 108th Avenue
Sunrise, FL 33351
Voice: (954) 929-1115
Fax: (954) 929-5560
Toll free: (800) 762-1084

Technical Support

Voice: (954) 929-1115 (Press 4)
Fax: (954) 756-8015
Email: tech@chauvetlighting.com

World Wide Web

www.chauvetlighting.com

United Kingdom and Ireland
CHAUVET® Europe Ltd.

General Information

Address: Unit 1C
Brookhill Road Industrial Estate
Pinxton, Nottingham, UK
NG16 6NT
Voice: +44 (0)1773 511115
Fax: +44 (0)1773 511110

Technical Support

Email: uktech@chauvetlighting.com

World Wide Web

www.chauvetlighting.co.uk

Outside the U.S., United Kingdom, or Ireland, contact your dealer. Follow their instructions to request support or to return a product. Visit our website for contact details.



UL 1573
CSA C22.2 No. 166
E113093

