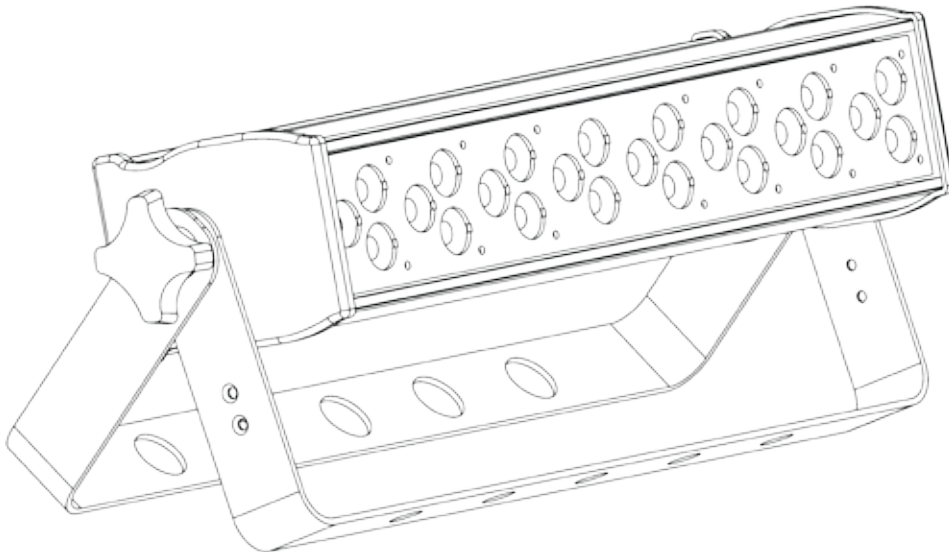


# COLORdash™ Batter

## Snapshot

Use on Dimmer	⊘
Outdoor Use	⊘
Sound Activated	⊘
DMX	✓
Master/Slave	✓
Auto-ranging Power Supply	✓
Replaceable Fuse	✓
User Serviceable	⊘
Duty Cycle	⊘

## User Manual



Chauvet, 5200 NW 108th Avenue Sunrise, FL 33351 U.S.A.  
(800) 762-1084 – (954) 929-1115  
FAX (954) 929-5560  
[www.chauvetlighting.com](http://www.chauvetlighting.com)

# TABLE OF CONTENTS

<b>1. BEFORE YOU BEGIN.....</b>	<b>1</b>
WHAT IS INCLUDED .....	1
UNPACKING INSTRUCTIONS .....	1
MANUAL CONVENTIONS.....	1
ICONS.....	1
SAFETY INSTRUCTIONS.....	2
LED EXPECTED LIFESPAN.....	2
<b>2. INTRODUCTION.....</b>	<b>3</b>
FEATURES.....	3
<i>Additional Features</i> .....	3
<i>Options</i> .....	3
DMX CHANNEL SUMMARY.....	4
PRODUCT OVERVIEW.....	5
PRODUCT DIMENSIONS .....	6
<b>3. SETUP.....</b>	<b>7</b>
AC POWER .....	7
FUSE REPLACEMENT .....	7
MOUNTING .....	8
<i>Orientation</i> .....	8
<i>Rigging</i> .....	8
<i>Fixture Stacking</i> .....	10
LENS ASSEMBLY INSTALLATION/REPLACEMENT .....	12
FIXTURE LINKING.....	13
<i>Data Cabling</i> .....	13
<i>DMX Data Cable</i> .....	13
<i>Cable Connectors</i> .....	13
<i>3-Pin to 5-Pin Conversion Chart</i> .....	14
<i>Setting up a DMX Serial Data Link</i> .....	14
MASTER/SLAVE FIXTURE LINKING .....	15
<b>4. OPERATING INSTRUCTIONS .....</b>	<b>16</b>
CONTROL OPTIONS .....	16
<i>DMX Control without ID Addressing</i> .....	16
<i>DMX Control with ID Addressing</i> .....	16
<i>DMX Addressing Example</i> .....	17
<i>DMX + ID Addressing Examples</i> .....	17
<i>Configuring the Starting Address</i> .....	18
CONTROL PANEL FUNCTIONS.....	18
<i>Password Menu Lockout</i> .....	18
<i>Upload Customs</i> .....	19
<i>Menu Map</i> .....	20
DMX CHANNEL VALUES.....	22
<i>STAGE 1</i> .....	22
<i>BLOCK</i> .....	23
<i>ARC 1</i> .....	24
<i>ARC 1 + D</i> .....	24
DMX OPERATION NOTES (STAGE 1).....	25
CONTACT US.....	25
<b>6. APPENDIX .....</b>	<b>26</b>
DMX PRIMER.....	26
GENERAL MAINTENANCE .....	26
RETURNS PROCEDURE.....	27
CLAIMS.....	27
PHOTOMETRIC DATA.....	28
COLORDASH™ BATTEN SERVICE MAINTENANCE GUIDE .....	29
EXPLODED VIEW .....	30
WIRING DIAGRAM.....	31
TECHNICAL SPECIFICATIONS .....	32

# 1. BEFORE YOU BEGIN

## What is included

- Ø 1 x COLORdash™ Batten
- Ø 1 x Power cable with plug
- Ø 1 x 6 ft (2 m) power linking cable
- Ø 1 x Warranty Card
- Ø 1 x User Manual

## Unpacking Instructions

Immediately upon receiving a fixture, carefully unpack the carton, check the contents to ensure that all parts are present, and have been received in good condition. Notify the shipper immediately and retain packing material for inspection if any parts appear damaged from shipping or the carton itself shows signs of mishandling. Save the carton and all packing materials. In the event that a fixture must be returned to the factory, it is important that the fixture be returned in the original factory box and packing.




## Manual Conventions

CHAUVET manuals use the following conventions to differentiate certain types of information from the regular text.

CONVENTION	MEANING
[10]	A DIP switch to be configured
<Menu>	A key to be pressed on the fixture's control panel
1~512	A range of values
50/60	A set of values of which only one can be chosen
<b>Settings</b>	A menu option not to be modified (for example, showing the operating mode/current status)
<b>MENU &gt; Settings</b>	A sequence of menu options to be followed
<b>ON</b>	A value to be entered or selected

## Icons

This manual uses the following icons to indicate information that requires special attention on the part of the user.

ICONS	MEANING
	This paragraph contains critical installation, configuration or operation information. Failure to comply with this information may render the fixture partially or completely inoperative, cause damage to the fixture or cause harm to the user or technician.
	This paragraph contains important installation or configuration information. Failure to comply with this information may prevent the fixture from functioning correctly.
	This paragraph contains useful, although not critical, information.

# Safety Instructions

Please read these instructions carefully because they include important information about the installation, usage and maintenance of this product.



***There are no user serviceable parts inside the unit. Any reference to servicing the unit you may find from now on will only apply to properly certified technicians. Do not open the housing or attempt any repairs unless you are one of them.***



***In the unlikely event that your unit may require service, please contact CHAUVET at (954) 929-1115.***

- Keep this manual for future consultation. If you sell the unit to another user, make sure that they also receive this manual.
- Always make sure that you are connecting the unit to the proper voltage, as per the specifications.
- Always disconnect from power source before servicing.
- This product is for indoor use only! To prevent risk of fire or shock, do not expose fixture to rain or moisture.
- Make sure there are no flammable materials close to the unit while operating.
- Always secure the fixture to fastening device using a safety chain.
- Maximum ambient temperature (Ta) is 104° F (40° C). Do not operate fixture at temperatures higher than this.
- In the event of a serious operating problem, stop using the unit immediately!
- Never connect the device to a dimmer pack.
- Make sure the power cord is never crimped or damaged.
- Never disconnect the power cord by pulling or tugging on the cord.
- Avoid direct eye exposure to the light source while it is on.
- Do not daisy chain power to more than 10 fixtures @ 120 V or 20 fixtures @ 230 V.
- The unit must be installed in a location with adequate ventilation, at least 20 in (50 cm) from adjacent surfaces. Be sure that no ventilation slots are blocked.



***Please refer to all applicable local codes and regulations for proper installation of this fixture.***

## LED Expected Lifespan

LEDs gradually decline in brightness over time. HEAT is the dominant factor that leads to the acceleration of this decline. Packaged in clusters, LEDs exhibit higher operating temperatures than in ideal or singular optimum conditions. For this reason when all color LEDs are used at their fullest intensity, life of the LEDs is significantly reduced. It is estimated that a viable lifespan of 40,000 to 50,000 hours will be achieved under normal operational conditions. If improving on this lifespan expectancy is of a higher priority, place care in providing for lower operational temperatures. This may include climatic-environmental and the reduction of overall projection intensity.

# 2. INTRODUCTION

## Features

- 3, 4, 10, or 12-channel DMX LED bank system (with ID addressing)
- Operating modes
  - 3-channel: RGB control
  - 4-channel: RGB, dimmer
  - 10-channel: RGB, ID, dim, macro, strobe, automatic, custom, module select
  - 12-channel: RGB of 4 separate sections
- RGB color mixing with or without DMX controller
- Built-in automated programs via master/slave or DMX
- Program and recall custom programs via master/slave or DMX
- Adjustable fan speeds

## Additional Features

- High-power, 1 W (350 mA) LEDs
- 3-pin and 5-pin DMX connections
- Additional (IEC) power output: max 10 fixtures @ 120 V or 20 fixtures @ 230 V
- Attach multiple units together with the included bracket
- LCD display with password protection
- Transfer custom programs between fixtures
- Double-bracket yoke doubles as floor stand

## Options

- COLORado™ Controller (COLOR-CON)
- Optical systems: 15° (CL20X15), or 30° (installed)

# DMX Channel Summary

The COLORdash™ Batten has four DMX channel configurations, referred to as “Personalities” in this manual and in the fixture onboard control panel. The four personalities are: STAGE 1, BLOCK, ARC 1 and ARC 1 + D. Each of the different personalities can be accessed from the control panel. Please see section on “Control Panel Functions” for a description on how to accomplish this.

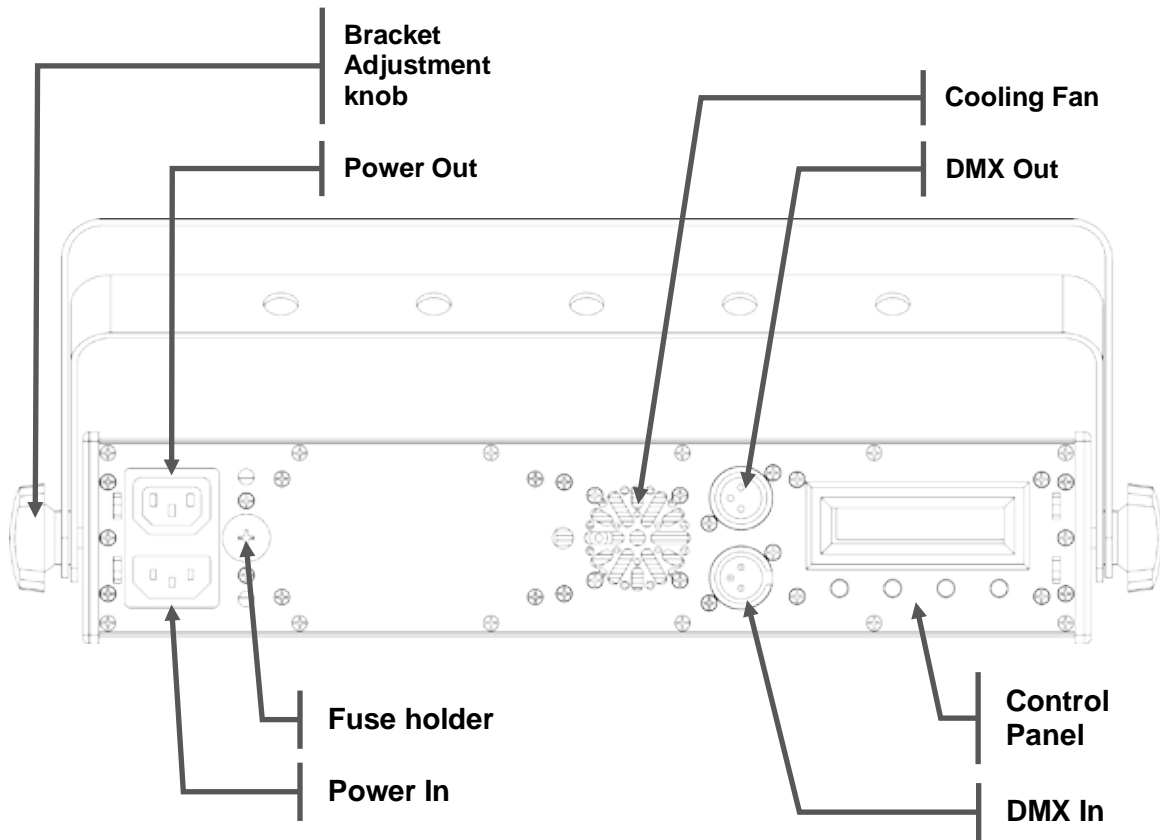
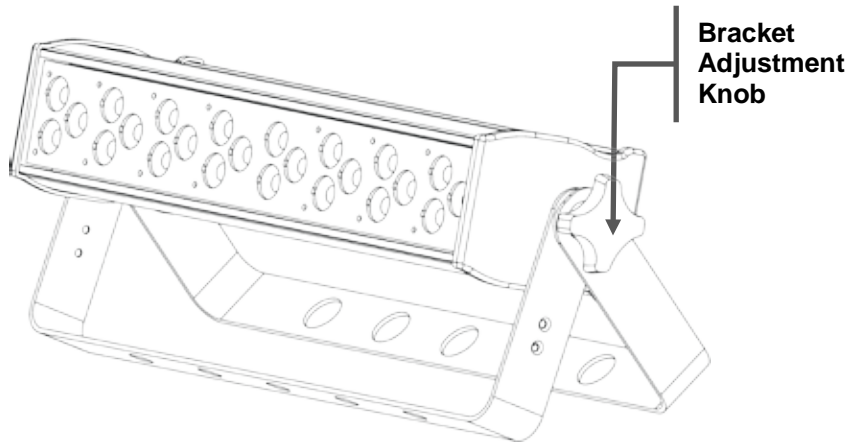
STAGE 1	CHANNEL	DESCRIPTION
	1	Dimmer
	2	Red
	3	Green
	4	Blue
	5	Color Macro
	6	Strobe
	7	Auto & Custom Programs
	8	Auto Speed Adjustment
	9	ID Address Selection
	10	Block Selection

BLOCK	CHANNEL	DESCRIPTION
	1	Red 1
	2	Green 1
	3	Blue 1
	4	Red 2
	5	Green 2
	6	Blue 2
	7	Red 3
	8	Green 3
	9	Blue 3
	10	Red 4
	11	Green 4
	12	Blue 4

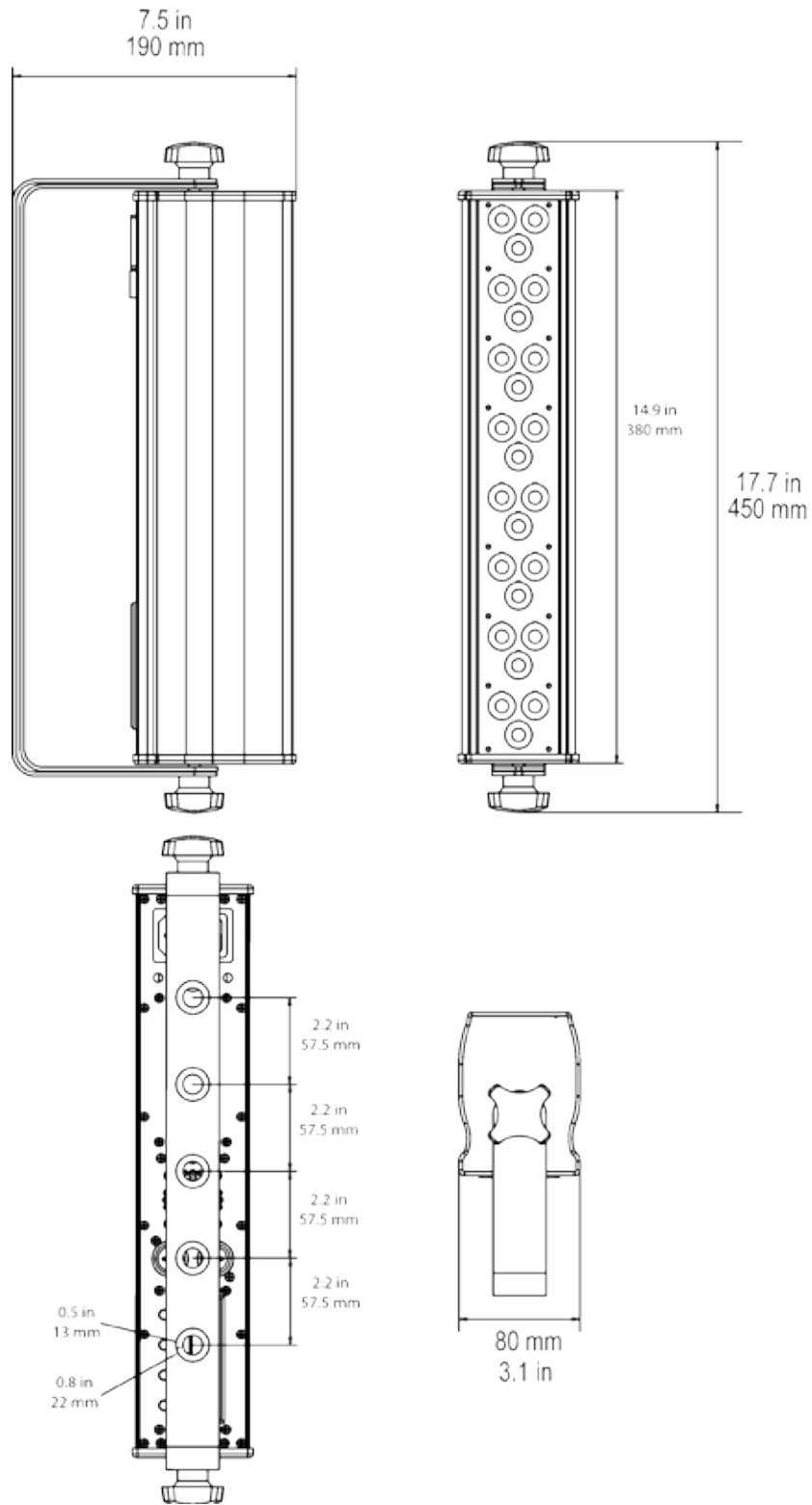
ARC 1	CHANNEL	DESCRIPTION
	1	Red
	2	Green
	3	Blue

ARC 1 + D	CHANNEL	DESCRIPTION
	1	Dimmer
	2	Red
	3	Green
	4	Blue

# Product Overview



# Product Dimensions





# 3. SETUP

## AC Power

This fixture has an auto-switching power supply that can accommodate a wide range of input voltages (100 ~ 240 VAC, 50/60 Hz). Before powering on the unit, make sure the line voltage to which you are connecting it is within the range of accepted voltages.

This fixture is designed for power linking from one COLORdash™ Quad to another COLORdash™ Quad fixture. This is done with IEC extension cables.



***Always connect the fixture to a switched circuit. Never connect the fixture to a rheostat (variable resistor) or dimmer circuit, even if the rheostat or dimmer channel is used only as a 0 to 100% switch.***

To determine the power requirements for a particular fixture, see the label affixed to the back plate of the fixture or refer to the fixture's specifications chart. A fixture's listed current rating indicates its average current draw under normal conditions.



***Always connect the fixture to a circuit with a suitable electrical ground.***

## Fuse Replacement



***Disconnect the power cord before replacing a fuse and always replace with the same type fuse.***

With a Phillips #2 head screwdriver, unscrew holder from its housing. Remove the fuse from its holder and replace with exact type fuse. Screw the fuse holder back in its and reconnect power.

The fuse is located inside this compartment.



the fuse damaged same place

# Mounting

## Orientation

This fixture may be mounted in any safe position, provided there is adequate room for ventilation.

## Rigging

The fixture includes a mounting yoke to which a rigging clamp can be attached. You must supply your own clamp and make sure the clamp is capable of supporting the weight of this fixture. You can order "C" and "O" clamps from any CHAUVET dealer or distributor (CLP-15, CLP-06 recommended).

There are two types of applications for this fixture: floor stand for up lighting, and overhead use for down lighting.



***If you are using this fixture for down lighting, you must use at least one safety cable/chain for each fixture in addition to the double-bracket yoke.***

If hanging the fixture for overhead use please follow the below steps:

1. Block access below the work area and use a suitable and stable platform when installing or servicing fixture.
2. Always use safety cables. The safety cable must be capable of holding 10 times the weight of the fixture.
3. Verify that the structure can hold 10 times the weight of all to-be installed fixtures.



***After prolonged periods of operation, the fixture's chassis may reach high temperatures. This fixture must be mounted in a ventilated location, as it uses natural convection cooling.***

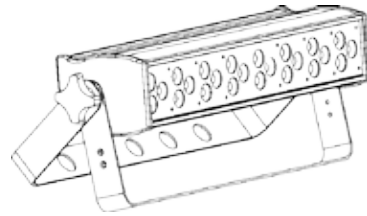


***Mounting clamps are sold separately.***

## Rigging (Cont.)

### Double yoke bracket/floor stand:

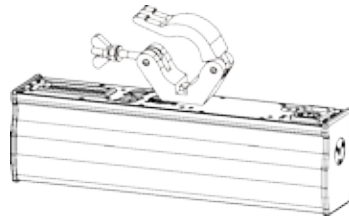
The fixture ships with this configuration installed.



*It is recommended that two clamps be used when hanging the fixture in this configuration.*

### Horizontal hang:

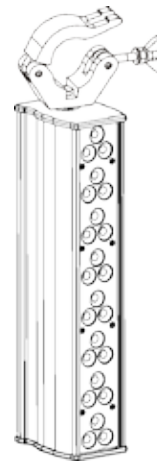
The clamp is mounted directly to the fixture's M10 threaded hole on the rear of the fixture, without any other bracket(s).



*This setup provides limited angle adjustments.*

### Vertical hang:

The clamp is mounted directly to the fixture's M10 threaded hole on either side of the fixture, without any other bracket(s).



*This setup provides limited angle adjustments.*

## Fixture Stacking

The fixtures may be stacked together horizontally to create a strip light or vertically for a blinder effect. This can be used for runway lighting or cycloramas. With the different methods of bracket mounting, this turns the COLORdash™ Batten into a very versatile lighting tool.

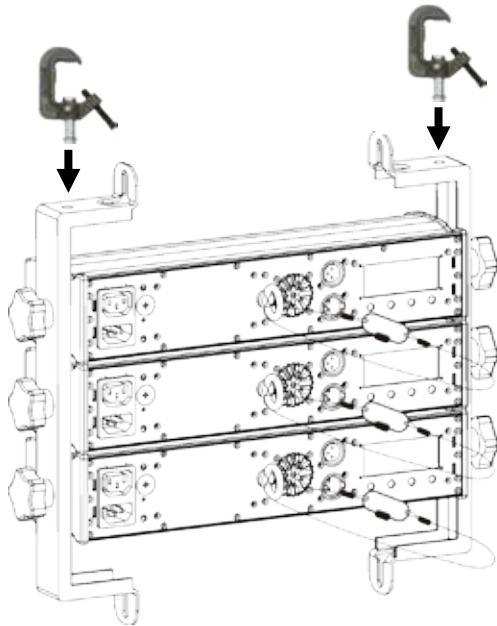


*It is recommended that a maximum of three fixtures be stacked together at a time.*



*You will still need to connect and configure each fixture separately. For the power, you may use the linking cables provided with the fixture.*

## Vertical Stacking (Hanging)



Hanging vertical stacking (three units) with rear safety loops and Altman clamps

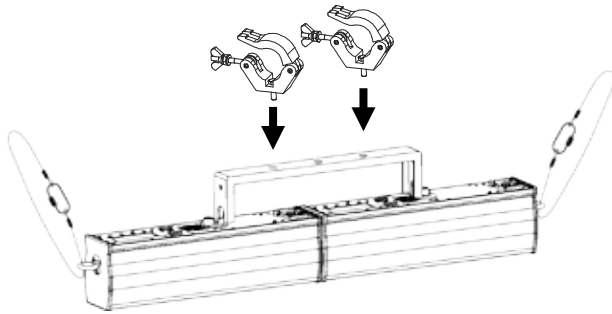


*When rigging three units in a vertical arrangement using the provided brackets, you should use clamps with long pan bolts, such as Altman or Mega Clamp, to prevent the brackets' flanges from interfering with the truss.*

## Horizontal Stacking (Hanging)

Please follow the below instructions for stacking the fixtures horizontally.

1. Remove the brackets that come with the fixtures, in order to make room for the attachment screws.
2. In the same location where the bracket attaches, you may install the linking screws. This will attach the fixtures close together.
3. You may use the brackets for this configuration, or simply install the clamp directly to the fixture as showed in the previous page.

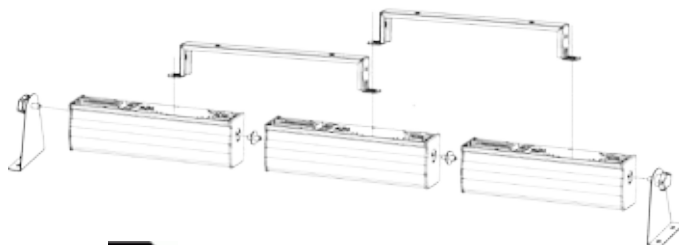


Hanging horizontal stacking (two units) with side safety loops and two "O" clamps.



*In a two-unit horizontal stacking arrangement, CHAUVET recommends using two clamps to prevent the arrangement from pivoting*

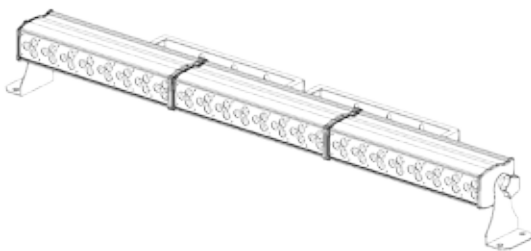
## Horizontal Stacking (Floor Standing)



Floor standing horizontal stacking (three units) with rear brackets and side floor stands (exploded view).



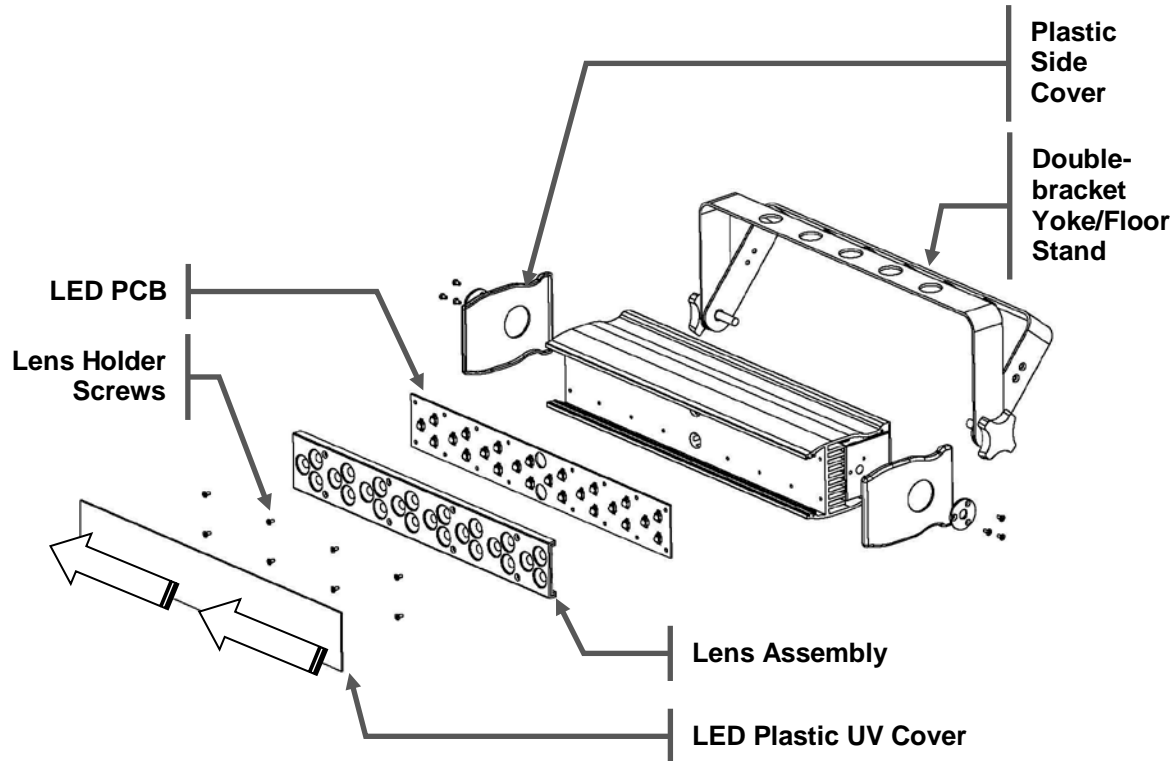
*Notice the locking screws between each fixture for added strength and the overlapping brackets on the back of the fixtures.*



Floor standing horizontal stacking (three units) with rear brackets and side floor stands (assembled).

# Lens Assembly Installation/Replacement

The COLORdash™ Batten ships with 15° lens assembly pre-installed from the factory. However, there is an optional lens kit (CL20X30) available as accessories, which will alter the beam angle to 30°. These lenses come in packages of 20 pieces each. Therefore, if you have a fixture that has more than 20 LEDs (such as the COLORdash™ Batten) make sure to order enough lenses. Please follow the below instructions for proper lens replacement/installation.



***Use care when performing this procedure, as this gives you direct access to the LEDs, which are very fragile.***

1. Remove the side, plastic UV cover (black) by removing the screws that hold it in place. There are four screws to remove for this step.
2. Slide the LED plastic cover out through the side of the plastic black cover that was removed.
3. After removing the side cover, remove the screws that hold the lens assembly in place. There are eight screws for this step.
4. You now should have full access to the lens assembly. This must be removed and the old lenses must be replaced with the new lenses.
5. The same assembly is to be reinstalled with the new lenses in place and the process is complete.



***When replacing the lens assembly, make sure that the power is disconnected from the fixture beforehand.***

# Fixture Linking

You will need a serial data link to run light shows of one or more fixtures using a DMX controller or to run synchronized shows on two or more fixtures set to a master/slave operating mode. The combined number of channels required by all the fixtures on a serial data link determines the number of fixtures the data link can support.



**Fixtures on a serial data link must be daisy chained in one single line. To comply with the EIA-485 standard, no more than 32 fixtures should be connected on one data link. Connecting more than 32 fixtures on one serial data link without the use of a DMX optically-isolated splitter may result in deterioration of the digital DMX signal.**

Maximum recommended serial data link distance: 500 m (1640 ft.)  
Maximum recommended number of fixtures on a serial data link: 32

## Data Cabling

To link fixtures together you must obtain data cables. You can purchase CHAUVET certified DMX cables directly from a dealer/distributor or construct your own cable. If you choose to create your own cable, please use data-grade cables that can carry a high quality signal and are less prone to electromagnetic interference.

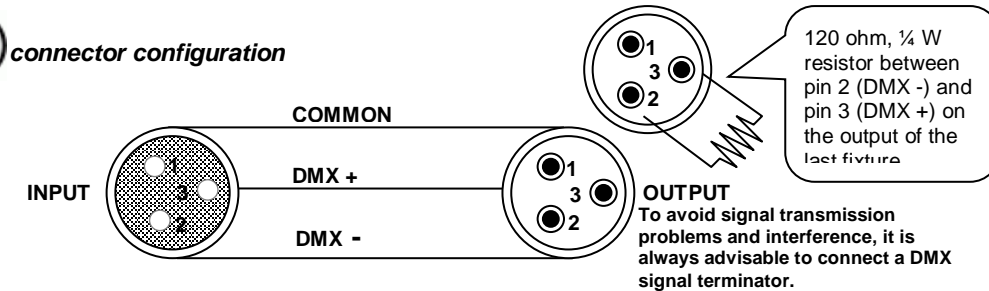
## DMX Data Cable

Use a Belden© 9841 or equivalent cable which meets the specifications for EIA RS-485 applications. Standard microphone cables cannot transmit DMX data reliably over long distances. The cable must have the following characteristics:

Type:	shielded, 2-conductor twisted pair
Maximum capacitance between conductors:	30 pF/ft
Maximum capacitance between conductor and shield:	55 pF/ft
Maximum resistance:	20 ohms/1000 ft
Nominal impedance:	100 ~ 140 ohms

## Cable Connectors

The cable must have a male XLR connector on one end and a female XLR connector on the other end.



**Do not allow contact between the common and the fixture's chassis ground. Grounding the common can cause a ground loop, and your fixture may perform erratically. Test the cables with an ohmmeter to verify correct polarity, and to make sure the pins are not grounded or shorted to each other.**

## 3-Pin to 5-Pin Conversion Chart



If you use a controller with a 5-pin DMX output connector, you will need to use a 5-pin to 3-pin adapter. You may use the CHAUVET Model number DMX5M, or DMX5F.

The chart below details a proper cable conversion:

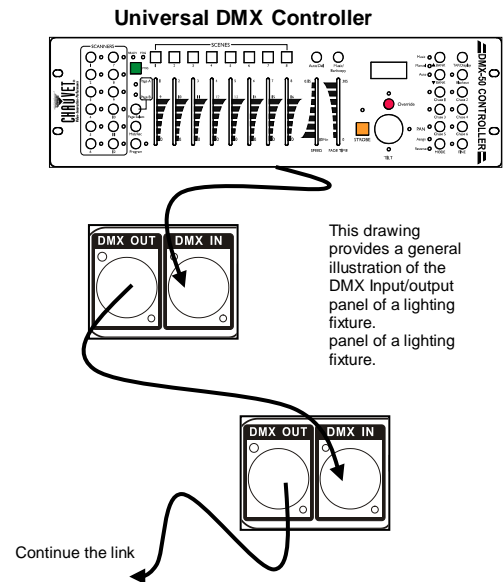
3-PIN TO 5-PIN CONVERSION CHART		
Conductor	3-Pin Female (Output)	5-Pin Male (Input)
Ground/Shield	Pin 1	Pin 1
Data ( - ) signal	Pin 2	Pin 2
Data ( + ) signal	Pin 3	Pin 3
Not used		Pin 4
Not used		Pin 5

## Setting up a DMX Serial Data Link

1. Connect the (male) 3-pin connector side of the DMX cable to the output (female) 3-pin connector of the controller.
2. Connect the end of the cable coming from the controller, which will have a (female) 3-pin connector to the input connector of the next fixture consisting of a (male) 3-pin connector.
3. Then, proceed to connect from the output as stated above to the input of the following fixture and so on.

### CHAUVET Certified DMX Data Cables

Order Code	Description
DMX1.5	DMX Cable 1.5 m/4.9 ft
DMX4.5	DMX Cable 4.5 m/14.8 ft
DMX10	DMX Cable 10 m/32.8 ft

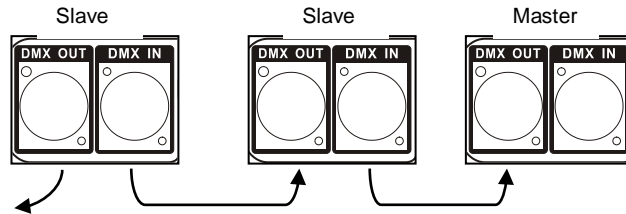




## Master/Slave Fixture Linking

1. Connect the (male) 3-pin connector side of the DMX cable to the output (female) 3-pin connector of the first fixture.
2. Connect the end of the cable coming from the first fixture, which will have a (female) 3-pin connector to the input connector of the next fixture consisting of a (male) 3-pin connector. Then, proceed to connect from the output as stated above to the input of the following fixture and so on.

The setup for Master-Slave and Stand-alone operation requires that the first fixture in the chain be initialized as "Master" via settings of the Control Panel on the back of the unit. In addition, each of the fixtures that follow must be set as "Slave." Please consult the "Operating "Instructions" section in this manual for complete instructions on how to setup the Master/Slave mode.



# 4. OPERATING INSTRUCTIONS

## Control Options

The COLORdash™ Batten is addressable in the DMX range of 001 to 512. In its simplest control form, this allows for the control of up to 51 fixtures in the 10-channel STAGE 1 personality; however, a secondary ID address system exists for use in a limited DMX universe and architectural environments. The ID address system allows the user to assign up to 66 fixtures within the same DMX address, in effect multiplying the control of the COLORdash™ Batten within a single universe to 3,366 fixtures. The ID address system is accessed using DMX channel 9 (STAGE 1). Consideration must be placed when programming live performances or cues that need to trigger on demand or on a time line. So, to remain within one second execution time, program no greater than 10 fixtures on ID addressing per DMX channel.

### DMX Control without ID Addressing

The COLORdash™ Batten operates on 10 DMX channels (STAGE 1), 12 DMX channels (BLOCK), three DMX channels (ARC 1) or four DMX channels (ARC 1 + D). Address each fixture in increments of the number of channels in use. For example, if using the STAGE 1 mode, each fixture could be addressed 1, 11, 21, 31, etc. To save time you can use the same DMX address for each fixture. In this case, all fixtures will respond simultaneously to the DMX control. You may also group your fixtures and address those groups alike for faster programming and control.

1. Access the control panel function by pressing the **<MENU>** button until **Run Mode** shows.
2. Press **<ENTER>** and use **<UP>/<DOWN>** to select the **DMX** function.
3. Press **<MENU>** until **DMX address** shows.
4. Press **<ENTER>**.
5. Use **<UP>/<DOWN>** to increase or decrease channels between **001** and **512**.
6. Press **<ENTER>** to confirm this action. **OK** and **save** will briefly show.
7. To exit, press **<MENU>**.
8. Deactivate ID addressing in each fixture by setting panel function **ID ON/OFF** to **OFF**.

**MENU > SETTINGS > ID ON/OFF > OFF**

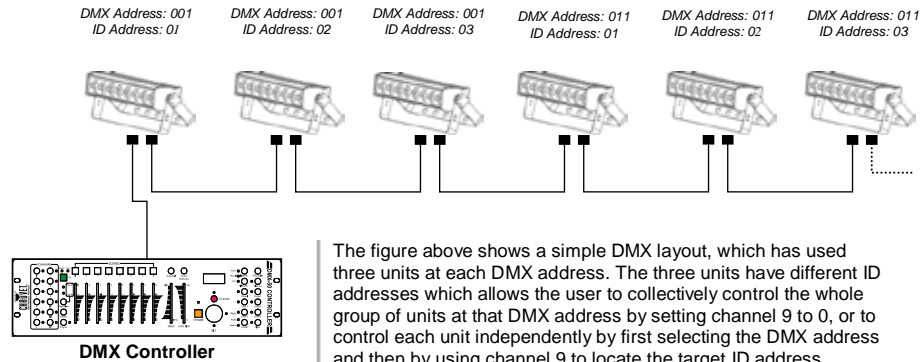


*If ID addressing is not deactivated in the fixture's control panel function, unintended results may occur if values are present in channel 9. Make sure values on channel 9 are set to 0.*

### DMX Control with ID Addressing

1. Follow instructions 1 ~ 4 for DMX addressing.
2. Activate ID addressing in each fixture by setting panel function **ID ON/OFF** to **ON**.  
**MENU > Settings > ID ON/OFF > ON**
3. For every DMX starting address the user can set 66 separate ID addresses.
4. Set ID addresses in each fixture by setting panel function **ID address** to incremental values. (For example, 1, 2, 3, 4, 5, 6, etc.)  
**MENU > Settings > ID address > 01 ~ 66**
5. ID addresses are accessible using channel 9 (STAGE 1).

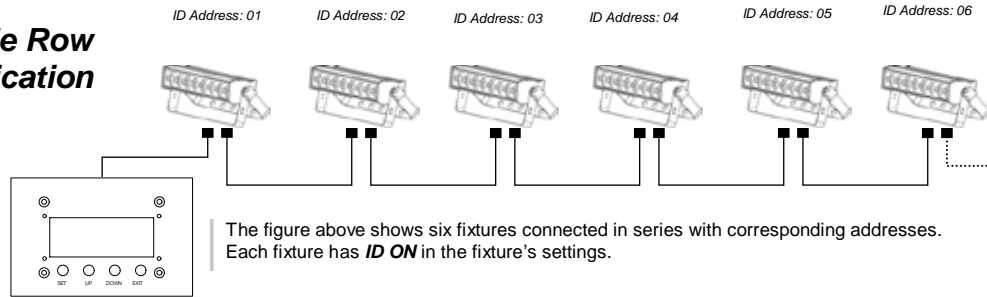
## DMX Addressing Example



The figure above shows a simple DMX layout, which has used three units at each DMX address. The three units have different ID addresses which allows the user to collectively control the whole group of units at that DMX address by setting channel 9 to 0, or to control each unit independently by first selecting the DMX address and then by using channel 9 to locate the target ID address.

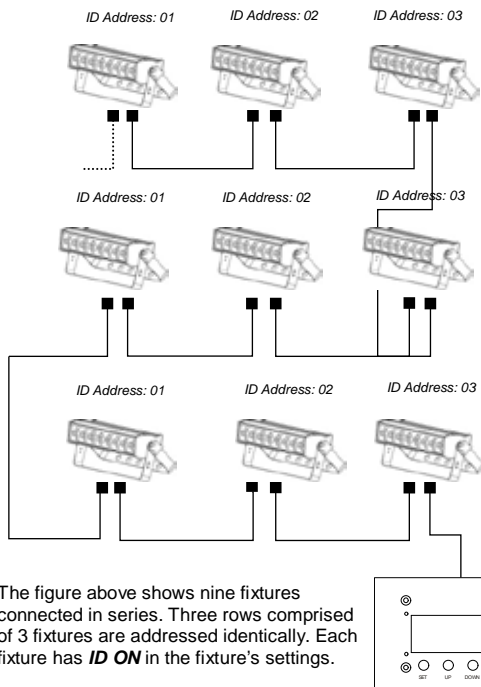
## DMX + ID Addressing Examples

### Single Row Application



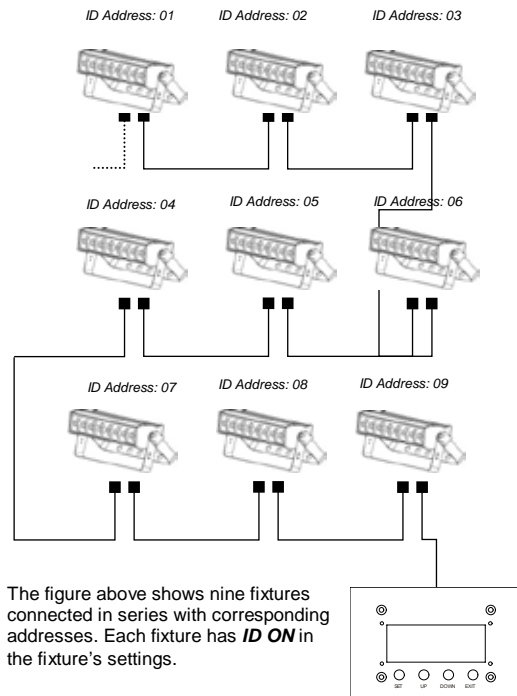
The figure above shows six fixtures connected in series with corresponding addresses. Each fixture has **ID ON** in the fixture's settings.

### Repeat Row Block Application



The figure above shows nine fixtures connected in series. Three rows comprised of 3 fixtures are addressed identically. Each fixture has **ID ON** in the fixture's settings.

### Block Application



The figure above shows nine fixtures connected in series with corresponding addresses. Each fixture has **ID ON** in the fixture's settings.

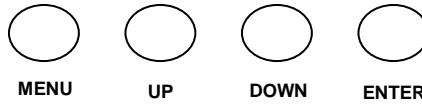
## Configuring the Starting Address

Each fixture requires a starting address from 1 ~ 512. A fixture requiring one or more channels for control begins to read the data on the channel indicated by the starting address. For example, a fixture that uses seven DMX channels and is addressed to start on DMX channel 100, will read data from channels: 100, 101, 102, 103, 104, 105 and 106. Choose the starting addresses for each fixture so that the channels used do not overlap. In addition, you should note the starting address selected for future reference.

The COLORdash™ Batten uses up to 12 DMX channels. If this is your first time using DMX, we recommend reading the “DMX Primer” section in the Appendix.

## Control Panel Functions

All fixture functions and settings are accessible via the built-in control panel interface.



BUTTON	FUNCTION
MENU	Exits from the current menu or function
UP	Navigates upwards through the menu list and increases the numeric value when in a function
DOWN	Navigates downwards through the menu list and decreases the numeric value when in a function
ENTER	Enables the currently displayed menu or sets the currently selected value in to the selected function

## Password Menu Lockout

The COLORdash™ Batten has a password lockout feature. When the password is enabled, the display will ask for the unit's password each time it is powered. The Password function can be enabled/disabled by using the control panel.

The COLORdash™ Batten has no default password. The password can be added or changed by accessing the control panel.



***If the user forgets their password, there is a permanent factory override password, which consists in pressing the following sequence: <UP> twice, <DOWN>, <UP>, <DOWN>, <UP>, <DOWN> twice. After that, press <ENTER>. The display should show MENU.***

## Upload Customs

The custom programs in the COLORdash™ Batten may be copied from one fixture to another, thus giving the ability to have to only program them on a single fixture, and then duplicate them on several others. This function is accessed from the Control Panel by selecting **Upload Customs**. Follow the below steps for this process.

1. Set all fixtures that are going to receive the upload to **SLAVE** operation.
2. Disconnect the fixtures from the DMX controller.
3. Select **Settings** in the Control Panel and press **<ENTER>**.
4. Select **Upload Customs** and press **<ENTER>**.
5. Press **<ENTER>** to confirm  
or  
enter password, then press **<ENTER>**.
6. **Uploading customs** will display when the transfer is proceeding.
7. If the upload is successful, the slave fixtures will show green. If the upload is unsuccessful, the slave fixtures will show red.



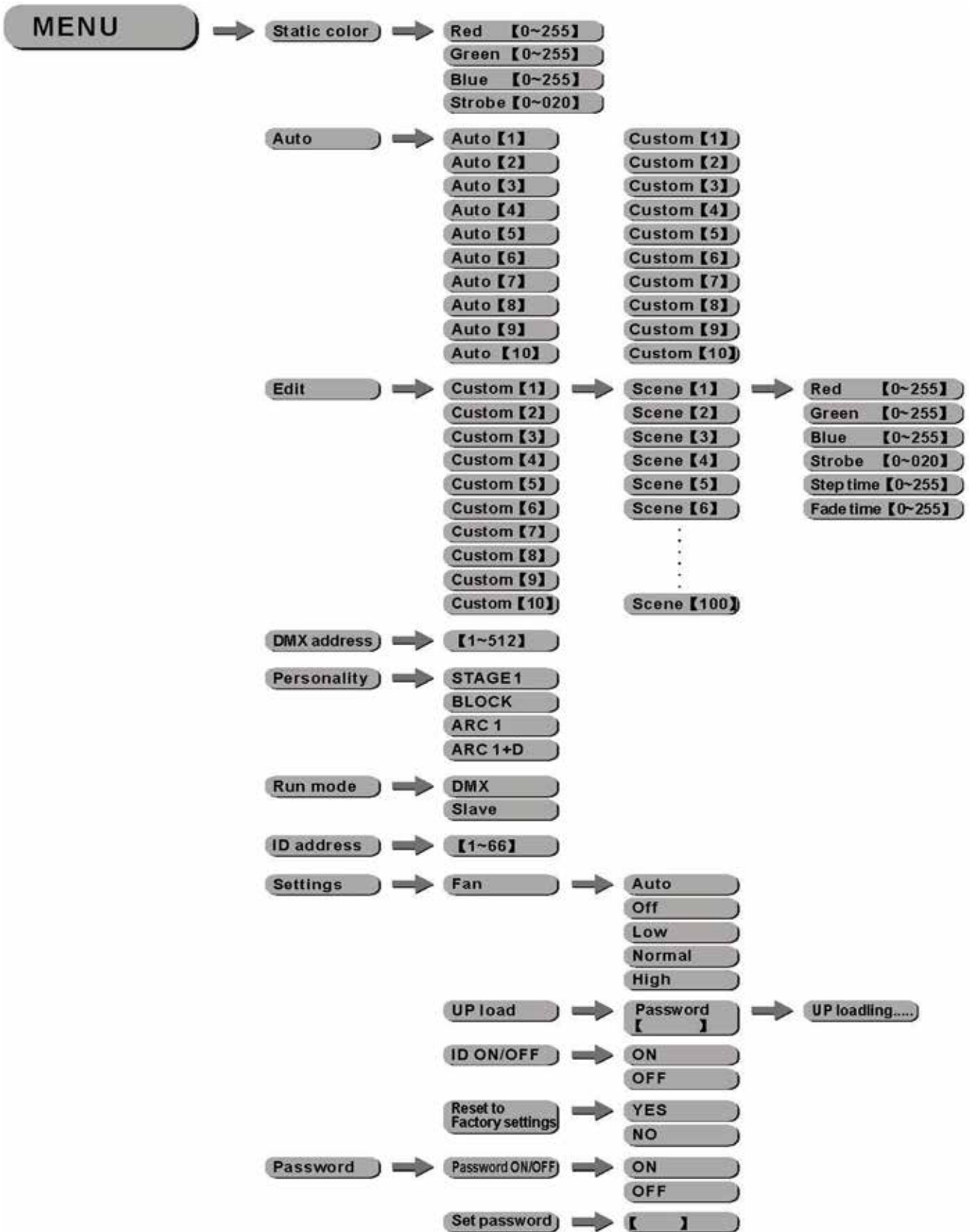
*You must enter the password on the unit sending the custom programs to the other units. If you have not yet set a password on the unit, you may leave it blank and just press <ENTER>.*



*The units receiving the new custom programs from the master must be set to SLAVE operation. Otherwise, they will not accept the custom programs.*

## Menu Map

MAIN FUNCTION	SUB-FUNCTION	SELECTION	INSTRUCTION
1. Static Color	Red	000 ~ 255* (0 ~ 100%)	User can combine Red, Green and Blue to generate a custom color
	Green		
	Blue	*Strobe range is 0 ~ 20 Hz	Select strobing frequency (0 ~ 20 Hz)
	Strobe		
2. Auto	Auto	(1 ~ 10)	Choose from 10 automatic programs
	Custom	(1 ~ 10)	Choose from 10 programs that be customized under the <b>Edit Custom</b> menu option
3. Edit Custom	Custom (1 ~ 10) (Scene 01~ 30)	Red	User can combine Red, Green and Blue to generate a custom color (0 ~ 255)
		Green	
		Blue	
		Strobe	Select strobing frequency (0 ~ 20 Hz)
		Time	(0 ~ 255)
		Fade	(0 ~ 255)
4. DMX Address	(No sub function)	001 ~ 512	Sets the DMX starting address
5. Personality	(No sub function)	STAGE 1	9-channel
		BLOCK	12-channel (4 section RGB)
		ARC 1	3-channel (RGB)
		ARC 1 + D	4-channel (RGB+D)
6. Run Mode	(No sub function)	DMX ~ Slave	Sets the operating mode for the fixture: to receive signal from a DMX controller (DMX), or to receive signal from the DMX out of another COLORdash Batten (Slave)
7. ID Address	(No sub function)	0 ~ 66	Assigns the ID address to a fixture
8. Settings	Fan	Auto	Automatically turns on the fan, when needed
		Off	It keeps the fans off, regardless of the temperature. If the temperature of the LEDs reached a temperature > 60°, the fans would start automatically, regardless of this setting.
		Low	Adjusts the fan speed to its quietest speed
		Normal	Adjusts the fan speed to it medium speed
		High	Adjusts the fan speed to its fastest speed
	ID	On ~ Off	Turns ID addressing on or off
	Reset to factory?	Press <ENTER> twice	Resets the fixture to the default, factory settings
Upload custom?	Press <ENTER> twice <i>Password Required</i>	Uploads a fixture's custom program to another fixture (same fixture only) <i>Password: Press &lt;DOWN&gt; 8 times</i>	
9. Password	(No sub function)	On ~ Off	Turns the password on or off (after 30 s of no action, the password will automatically turn on after selecting On)



# DMX Channel Values

The COLORdash™ Batten has four DMX channel configurations: STAGE 1, BLOCK, ARC 1, and ARC 1 + D.

## STAGE 1

CHANNEL	VALUE	FUNCTION
1	000 ∘ 255	<b>Dimmer</b> 0 ∘ 100%
2	000 ∘ 255	<b>Red</b> (or STEP TIME when CUS 1 ~ 10 is activated) 0 ∘ 100%
3	000 ∘ 255	<b>Green</b> (or FADE TIME when CUS 1 ~ 10 is activated) 0 ∘ 100%
4	000 ∘ 255	<b>Blue</b> 0 ∘ 100%
5	000 ∘ 010 011 ∘ 035 036 ∘ 060 061 ∘ 085 086 ∘ 110 111 ∘ 135 136 ∘ 160 161 ∘ 185 186 ∘ 210 211 ∘ 215 216 ∘ 220 221 ∘ 225 226 ∘ 230 231 ∘ 235 236 ∘ 240 241 ∘ 245 246 ∘ 250 251 ∘ 255	<b>Color Macro + White Balance</b> No Function Red 100% - Green Up - Blue 0% Red Down - Green 100% - Blue 0% Red 0% - Green 100% - Blue Up Red 0% - Green Down - Blue 100% Red Up - Green 0% - Blue 100% Red 100% - Green 0% - Blue Down Red 100% - Green Up - Blue Up Red Down - Green Down - Blue 100% White 1: 3200 K White 2: 3400 K White 3: 4200 K White 4: 4900 K White 5: 5600 K White 6: 5900 K White 7: 6500 K White 8: 7200 K White 9: 8500 K
6	000 ∘ 004 005 ∘ 255	<b>Strobe</b> No Function 0 ∘ 20 Hz
7	000 ∘ 010 011 ∘ 020 021 ∘ 030 031 ∘ 040 041 ∘ 050 051 ∘ 060 061 ∘ 070 071 ∘ 080 081 ∘ 090 091 ∘ 100 101 ∘ 110 111 ∘ 120 121 ∘ 130 131 ∘ 140 141 ∘ 150 151 ∘ 160 161 ∘ 170 171 ∘ 180 181 ∘ 190 191 ∘ 200 201 ∘ 210 211 ∘ 220 221 ∘ 230 231 ∘ 240 241 ∘ 250 251 ∘ 255	<b>Auto + Custom Programs + Fan Control</b> Reset to display fan setting Fans Off (Hold for 3 sec) Fans Low (Hold for 3 sec) Fans Normal (Hold for 3 sec) Fans High (Hold for 3 sec) Fans Auto (Hold for 3 sec) Auto 1 Auto 2 Auto 3 Auto 4 Auto 5 Auto 6 Auto 7 Auto 8 Auto 9 Auto 10 Custom 1 Custom 2 Custom 3 Custom 4 Custom 5 Custom 6 Custom 7 Custom 8 Custom 9 Custom 10
8	0 ∘ 255	<b>Auto Speed (only when CH 7 is between 061 ~ 255)</b>



## STAGE 1 (Cont.)

CHANNEL	ID ADDRESSING					
	VALUE	ID	VALUE	ID	VALUE	ID
9	000 ó 009	All IDs	212	ID 23	235	ID 46
	010 ó 019	ID 1	213	ID 24	236	ID 47
	020 ó 029	ID 2	214	ID 25	237	ID 48
	030 ó 039	ID 3	215	ID 26	238	ID 49
	040 ó 049	ID 4	216	ID 27	239	ID 50
	050 ó 059	ID 5	217	ID 28	240	ID 51
	060 ó 069	ID 6	218	ID 29	241	ID 52
	070 ó 079	ID 7	219	ID 30	242	ID 53
	080 ó 089	ID 8	220	ID 31	243	ID 54
	090 ó 099	ID 9	221	ID 32	244	ID 55
	100 ó 109	ID 10	222	ID 33	245	ID 56
	110 ó 119	ID 11	223	ID 34	246	ID 57
	120 ó 129	ID 12	224	ID 35	247	ID 58
	130 ó 139	ID 13	225	ID 36	248	ID 59
	140 ó 149	ID 14	226	ID 37	249	ID 60
	150 ó 159	ID 15	227	ID 38	250	ID 61
	160 ó 169	ID 16	228	ID 39	251	ID 62
	170 ó 179	ID 17	229	ID 40	252	ID 63
	180 ó 189	ID 18	230	ID 41	253	ID 64
	190 ó 199	ID 19	231	ID 42	254	ID 65
	200 ó 209	ID 20	232	ID 43	255	ID 66
	210	ID 21	233	ID 44		
211	ID 22	234	ID 45			

CHANNEL	VALUE	FUNCTION
10	000 ó 009	<b>Block</b>
	010 ó 029	Block 1,2,3,4
	030 ó 049	Block 1
	050 ó 069	Block 2
	070 ó 089	Block 3
	090 ó 109	Block 4
	110 ó 129	Block 1,2
	130 ó 149	Block 3,4
	150 ó 169	Block 1,4
	170 ó 189	Block 2,3
	190 ó 209	Block 1,2,3
	210 ó 229	Block 2,3,4
	230 ó 255	Block 1,3,4
		Block 1,2,4

## BLOCK

CHANNEL	VALUE	FUNCTION
1	000 ó 255	<b>Red 1</b> 0 ó 100%
2	000 ó 255	<b>Green 1</b> 0 ó 100%
3	000 ó 255	<b>Blue 1</b> 0 ó 100%
4	000 ó 255	<b>Red 2</b> 0 ó 100%
5	000 ó 255	<b>Green 2</b> 0 ó 100%
6	000 ó 255	<b>Blue 2</b> 0 ó 100%
7	000 ó 255	<b>Red 3</b> 0 ó 100%
8	000 ó 255	<b>Green 3</b> 0 ó 100%
9	000 ó 255	<b>Blue 3</b> 0 ó 100%
10	000 ó 255	<b>Red 4</b> 0 ó 100%
11	000 ó 255	<b>Green 4</b> 0 ó 100%
12	000 ó 255	<b>Blue 4</b> 0 ó 100%

## ARC 1

CHANNEL	VALUE	FUNCTION
1	000 ó 255	<b>Red</b> 0 ó 100%
2	000 ó 255	<b>Green</b> 0 ó 100%
3	000 ó 255	<b>Blue</b> 0 ó 100%

## ARC 1 + D

CHANNEL	VALUE	FUNCTION
1	000 ó 255	<b>Dimmer</b> 0 ó 100%
2	000 ó 255	<b>Red</b> 0 ó 100%
3	000 ó 255	<b>Green</b> 0 ó 100%
4	000 ó 255	<b>Blue</b> 0 ó 100%

# DMX Operation Notes (STAGE 1)

## Master Dimmer

- Channel 1 controls the intensity of the currently projected color
- When the slider is at the highest position (255), the output intensity is at its maximum.

## Red, Green, Blue and White Color Selection

- Channels 2, 3, 4 and 5 control the intensity ratio of the Red, Green, Blue and White LEDs respectively.
- Channels 2, 3, and 4 can be combined together to create over 16 million color combinations.

## Strobe

- Channel 7 controls the strobe of Channels 2 ~ 4.
- Channel 7 has priority over Channels 2, 3, and 4.
- Speed of the strobe is adjustable from 0 ~ 20 Hz.

## Color Macros

- Channel 6 selects the Color Macro.
- Channel 6 has priority over Channels 2, 3, 4, 5 and 7.
- Channel 1 is used to control the intensity of the current Color Macro.

## ID Address Selection

- Use channel 9 to select the target ID address.
- Each independent DMX address can have up to 66 ID addressed fixtures.
- ID address **0** allows control of all fixtures simultaneously.

## Auto & Custom Programs

- Channel 7 selects the preset Auto/Custom programs 1 ~ 10
- When activating the Auto/Custom programs, it is possible to control the Step Time and Fade Time by using Channels 2 and 3 respectively.

## Block

- This fixture is divided into four sections, referred to as blocks. Channel 10 determines your block selection.

# Contact Us

## World Wide

### *General Information*

Chauvet Lighting  
5200 NW 108th Avenue  
Sunrise, FL 33351  
voice: 954.929.1115  
fax: 954.929.5560  
toll free: 800.762.1084

### *Technical Support*

[www.chauvetlighting.com](http://www.chauvetlighting.com)  
voice: (954) 929-1115 - (Press 4)  
fax: (954) 929-5560 - (Attention: Service)

### *World Wide Web*

[www.chauvetlighting.com](http://www.chauvetlighting.com)

# 6. APPENDIX

## DMX Primer

There are 512 channels in a DMX connection. Channels may be assigned in any manner. A fixture capable of receiving DMX will require one or a number of sequential channels. The user must assign a starting address on the fixture that indicates the first channel reserved in the controller. There are many different types of DMX controllable fixtures and they all may vary in the total number of channels required. Choosing a start address should be planned in advance. Channels should never overlap. If they do, this will result in erratic operation of the fixtures whose starting address is set incorrectly. You can however, control multiple fixtures of the same type using the same starting address as long as the intended result is that of unison movement or operation. In other words, the fixtures will be slaved together and all respond exactly the same.

DMX fixtures are designed to receive data through a serial Daisy Chain. A Daisy Chain connection is where the DATA OUT of one fixture connects to the DATA IN of the next fixture. The order in which the fixtures are connected is not important and has no effect on how a controller communicates to each fixture. Use an order that provides for the easiest and most direct cabling. Connect fixtures using shielded two conductor twisted pair cable with three pin XLR male to female connectors. The shield connection is pin 1, while pin 2 is Data Negative (S-) and pin 3 is Data positive (S+). CHAUVET carries 3-pin XLR DMX compliant cables, DMX-10 (33'), DMX-4.5 (15') and DMX-1.5 (5')

## General Maintenance

To maintain optimum performance and minimize wear, fixtures should be cleaned frequently. Usage and environment are contributing factors in determining frequency. As a general rule, fixtures should be cleaned at least twice a month. Dust build up reduces light output performance and can cause overheating. This can lead to reduced lamp life and increased mechanical wear. Be sure to power off fixture before conducting maintenance.

- Unplug fixture from power.
- Use a vacuum or air compressor and a soft brush to remove dust collected on external vents and internal components.
- Clean all glass when the fixture is cold with a mild solution of glass cleaner or Isopropyl Alcohol and a soft lint free cotton cloth or lens tissue.
- Apply solution to the cloth or tissue and drag dirt and grime to the outside of the lens.
- Gently polish optical surfaces until they are free of haze and lint.

The cleaning of internal and external optical lenses and/or mirrors must be carried out periodically to optimize light output. Cleaning frequency depends on the environment in which the fixture operates. Damp, smoky or particularly dirty surroundings can cause greater accumulation of dirt on the unit's optics. Clean with soft cloth using normal glass cleaning fluid. Clean the external optics at least every 20 days. Clean the internal optics at least every 30/60 days.



***Always dry the parts carefully after cleaning them.***



***Never spin a fan using compressed air.***

## Returns Procedure

Returned merchandise must be sent prepaid and in the original packing; call tags will not be issued. Package must be clearly labeled with a Return Merchandize Authorization Number (RMA #). Products returned without the RMA # will be refused. Call CHAUVET and request an RMA # prior to shipping the fixture. Be prepared to provide the model number, serial number and a brief description of the cause for the return. Be sure to pack fixture properly; any shipping damage resulting from inadequate packaging is the customer's responsibility. As a suggestion, proper UPS packing or double-boxing is always a safe method to use.

CHAUVET reserves the right to use its own discretion to repair or replace product(s).



***If you are given an RMA #, please include the following information on a piece of paper inside the box:***

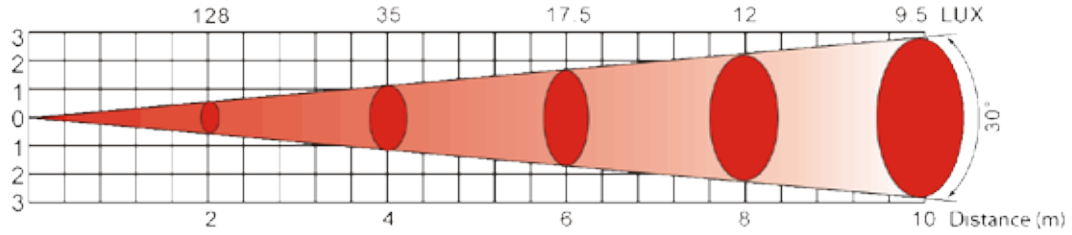
- 1) Your name
- 2) Your address
- 3) Your phone number
- 4) The RMA #
- 5) A brief description of the symptoms

## Claims

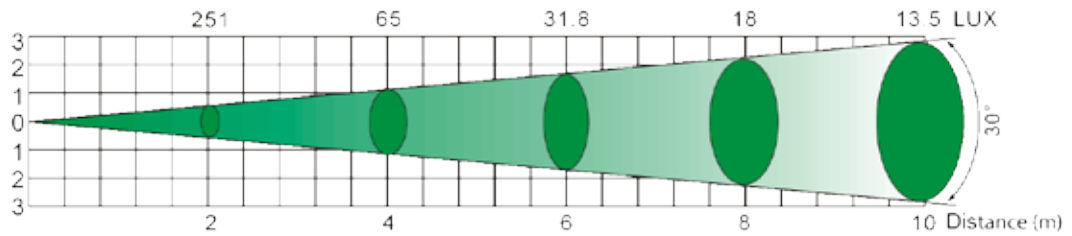
Damage incurred in shipping is the responsibility of the shipper; therefore, the damage must be reported to the carrier upon receipt of merchandise. It is the customer's responsibility to notify and submit claims with the shipper in the event that a fixture is damaged due to shipping. Any other claim for items such as missing component/part, damage not related to shipping, and concealed damage, must be made within seven (7) days of receiving merchandise.

# Photometric Data

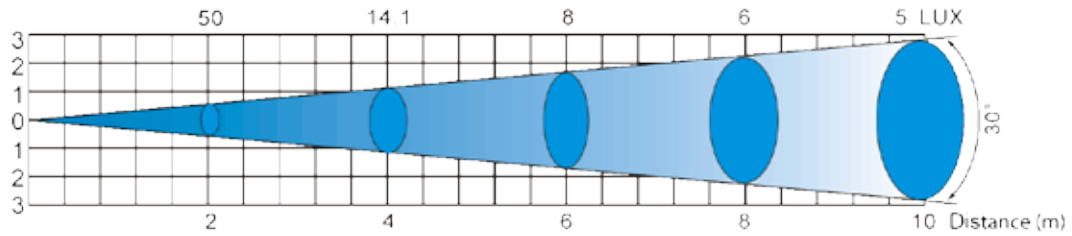
## Red



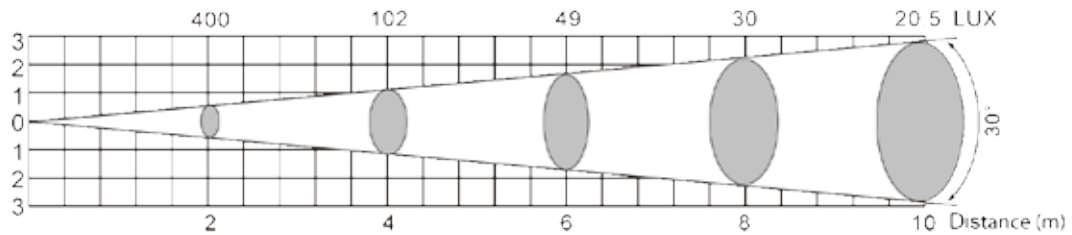
## Green



## Blue



## RGB



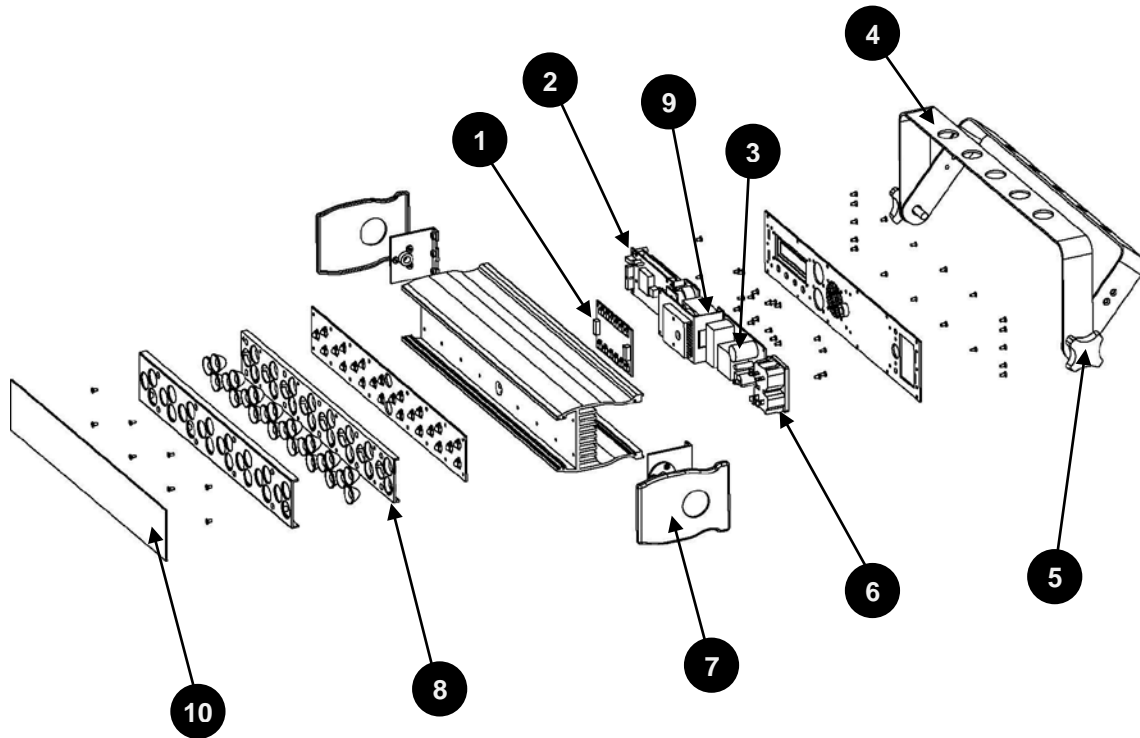
# COLORdash™ Batten Service Maintenance Guide

SYMPTOM	POSSIBLE CAUSE(S)	POSSIBLE ACTION(S)
General low light intensity	<ul style="list-style-type: none"> <li>· Dirty lens assembly</li> <li>· Misaligned lens assembly</li> </ul>	<ul style="list-style-type: none"> <li>· Clean the fixture regularly.</li> <li>· Install lens assembly properly.</li> </ul>
White LED does not illuminate	<ul style="list-style-type: none"> <li>· Faulty LED</li> <li>· Faulty LED driver</li> </ul>	<ul style="list-style-type: none"> <li>· Replace the LED PCB (Part#: P222-MBATDVR).</li> <li>· Replace the LED Driver PCB (Part # P172-MBTDVR).</li> </ul>
Both red, green or blue LED's are not illuminating	<ul style="list-style-type: none"> <li>· Opened LED. If any red, green or blue LED opens up, the other LED will not illuminate. This is because they are connected in series.</li> <li>· Faulty LED driver</li> </ul>	<ul style="list-style-type: none"> <li>· Replace the LED PCB (Part#: P222-MBATDVR).</li> <li>· Replace the LED Driver PCB (Part # P172-MBTDVR).</li> </ul>
Only one red, green or blue LED illuminates	<ul style="list-style-type: none"> <li>· Short-circuited LED. If any red, green or blue LED shortens, only the other LED will illuminate. This is because they are connected in series.</li> </ul>	<ul style="list-style-type: none"> <li>· Replace the LED PCB (Part#: P222-MBATDVR).</li> </ul>
None of the LEDs are illuminating	<ul style="list-style-type: none"> <li>· Faulty LED PCB</li> <li>· Faulty LED Driver PCB</li> <li>· No Auto or Static mode response; faulty main PCB</li> </ul>	<ul style="list-style-type: none"> <li>· Replace LED PCB (Part#: P222-MBATDVR)</li> <li>· Replace LED Driver PCB (Part#: P172-MBTDVR)</li> <li>· Replace Main PCB (Part#: P170-MBATPC)</li> </ul>
Breaker/Fuse keeps blowing	<ul style="list-style-type: none"> <li>· Excessive circuit load</li> <li>· Short circuit along the power wires</li> </ul>	<ul style="list-style-type: none"> <li>· Check total load placed on the electrical circuit.</li> <li>· Check for a short in the electrical wiring (internal and/or external).</li> </ul>
Device does not power up	<ul style="list-style-type: none"> <li>· No power</li> <li>· Loose power cord</li> <li>· Faulty internal power supply</li> </ul>	<ul style="list-style-type: none"> <li>· Check for power on Mains.</li> <li>· Check power cord</li> <li>· Replace internal power supply (Part#: P140-M1ELTR)</li> </ul>
Fixture is not responding to DMX	<ul style="list-style-type: none"> <li>· Wrong DMX addressing</li> <li>· Damaged DMX cables</li> <li>· Wrong polarity settings on the controller</li> <li>· Loose DMX cables</li> <li>· Faulty DMX interface</li> <li>· Faulty Main PCB</li> </ul>	<ul style="list-style-type: none"> <li>· Check Control Panel and unit addressing</li> <li>· Check DMX cables</li> <li>· Check polarity switch settings on the controller</li> <li>· Check cable connections</li> <li>· Replace Main PCB (Part#: P170-MBATPC)</li> <li>· Replace Main PCB (Part#: P170-MBATPC)</li> </ul>
Loss of signal	<ul style="list-style-type: none"> <li>· Non DMX cables</li> <li>· Bouncing signals</li> <li>· Long cable / Low level signal</li> <li>· Too many fixtures</li> <li>· Interference from AC wires</li> </ul>	<ul style="list-style-type: none"> <li>· Use only DMX compatible cables</li> <li>· Install terminator as suggested.</li> <li>· Install amplifier right after fixture with strong signal.</li> <li>· Install an optically coupled DMX splitter after unit #32.</li> <li>· Keep DMX cables separated from power cables or black lights.</li> </ul>



**If you still have a problem after trying the above solutions, please contact CHAUVET Technical Support at the location on page 28.**

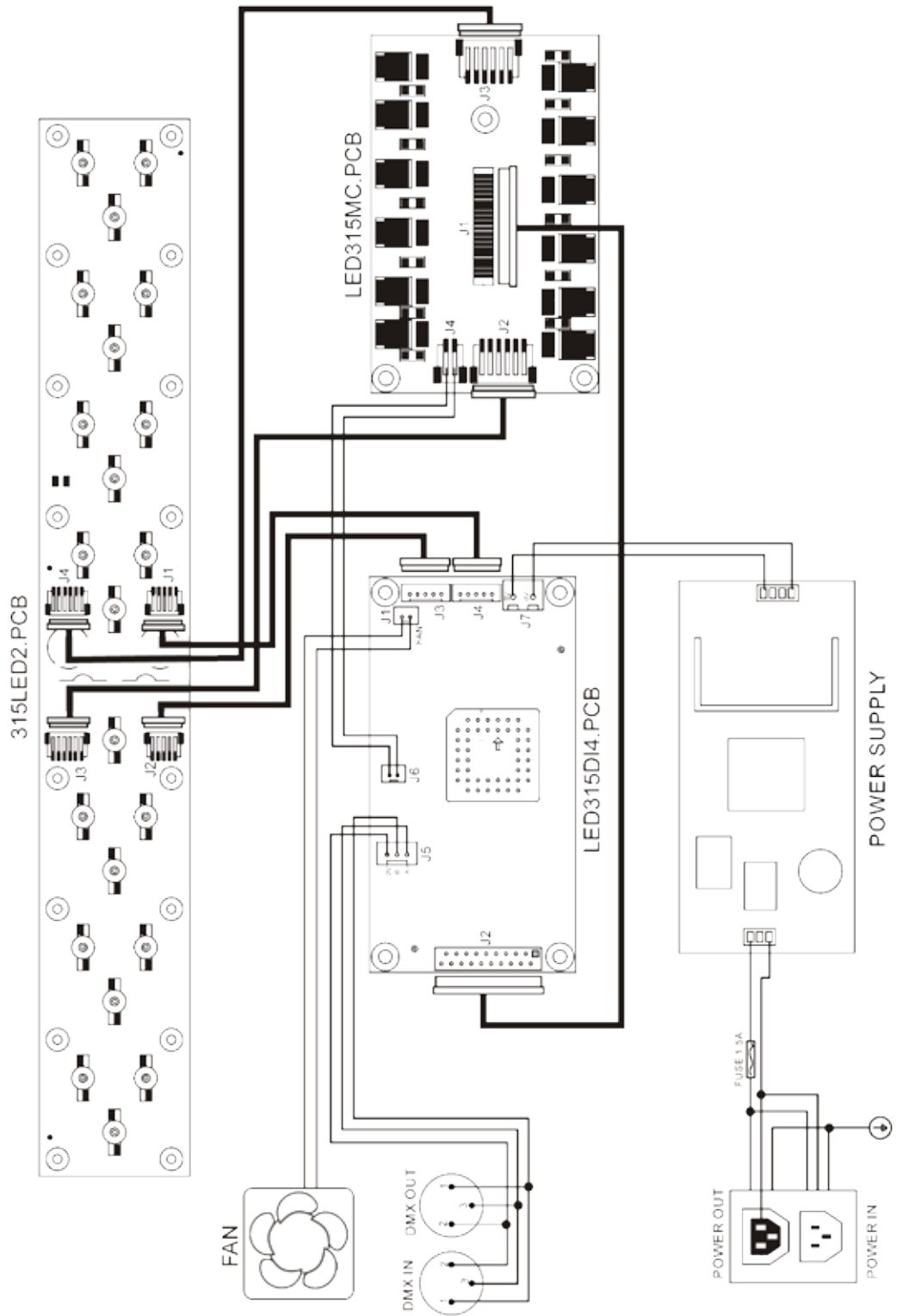
## Exploded View



ITEM	DESCRIPTION	PART NUMBER
1	LED Driver PCB	P172-MBTDVR
2	Display/Master PCB	P170-MBATPC
3	Electronic Transformer	P140-M1ELTR
4	Bracket/Floor stand	P170-MBBRKT
5	Bracket adjustment knob	P111-MBTKNOB
6	Power input/output connector	P111-PWRCNC
7	Side, plastic cover	P111-BATBCVR
8	LED metal-core PCB assembly	P222-MBATDVR
9	Cooling fan	P130-40MM24V
10	Front clear plastic LED cover	P111-MBARCLR



# Wiring Diagram



# Technical Specifications

## WEIGHT & DIMENSIONS

Length ..... 3.3 in (84 mm)  
Width ..... 18.5 in (470 mm)  
Height ..... 7.5 in (191 mm)  
Weight ..... 7.9 lbs (3.6 kg)

## POWER

Auto-ranging internal power supply ..... 100 ~ 240 V, 50/60 Hz  
Power Consumption @ 120 V, 60 Hz ..... 58 W (0.8 A) max  
Power Consumption @ 240 V, 50 Hz ..... 59 W (0.46 A) max  
Additional Power Output @ 120 V ..... 13 units max  
Additional Power Output @ 230 V ..... 23 units max  
Fuse ..... F 1.5 A, 250 V

## LIGHT SOURCE

LED ..... 1 W, 350 mA, 24 (8 Red, 8 Green, 8 Blue), 50,000 hrs

## PHOTO OPTIC (WITH 30° LENS ASSEMBLY)

Luminance @ 1 m ..... 1,750 lux  
Beam Angle ..... 35° x 30°  
Field Angle ..... 62° x 60°

## COOLING

Fan cooled ..... 40 mm, 24 V fan  
Maximum operating temperature ..... 104° F (40° C)

## CONTROL & PROGRAMMING

Data input ..... Locking 3-pin XLR male socket  
Data output ..... Locking 3-pin XLR female socket  
Data pin configuration ..... Pin 1 shield, pin 2 (-), pin 3 (+)  
Protocols ..... USITT DMX512-A  
DMX Channels ..... User Configurable: 3, 4, 10, or 12 channels

## ORDERING INFORMATION

COLORdash™ Batten ..... COLORDASHBATTEN  
15° Optical Lens kit (20 pcs) ..... CL20X15  
30° Optical Lens kit (20 pcs) ..... Installed  
Power extension cable ..... EXT-2

## OPTIONAL CONTROLLER

COLORado™ Controller ..... COLOR-CON

## WARRANTY INFORMATION

Warranty ..... 2-year limited warranty